



US00D342694S

United States Patent [19]

[11] Patent Number: **Des. 342,694**

Frost

[45] Date of Patent: **** Dec. 28, 1993**

- [54] **CHRISTMAS TREE STAND**
- [75] Inventor: **David Frost, Long Beach, Calif.**
- [73] Assignee: **Lincoln Imports, Ltd., Inc., Placentia, Calif.**
- [**] Term: **14 Years**
- [21] Appl. No.: **922,955**
- [22] Filed: **Jul. 30, 1992**
- [52] U.S. Cl. **D11/130.1**
- [58] Field of Search **D11/130.1; 47/40.5; 248/519, 523, 528, 529**

2,699,308	1/1955	Shackelford .	
2,786,641	3/1957	Applegate .	
2,875,968	3/1959	Ehola	D11/130.1 X
2,908,461	10/1959	Coffeen	47/40.5
3,387,808	6/1968	Metcalf .	
3,526,380	9/1970	Tong .	
3,838,838	10/1974	Seamon, Jr.	D11/130.1 X
4,288,052	9/1981	Scott .	
4,406,437	9/1983	Wright .	
4,763,866	8/1988	Sinchok	248/188.7
5,022,620	6/1991	Scott .	

[56] **References Cited**

U.S. PATENT DOCUMENTS

781,552	1/1905	Riek .	
830,671	9/1906	Neff .	
1,559,563	11/1925	Edmister .	
1,575,488	3/1926	Jakobey .	
1,912,054	5/1933	Wright .	
1,943,269	1/1934	Holden	47/40.5 X
2,500,215	3/1950	Swearingen .	
2,531,690	11/1950	Kennel .	
2,670,163	2/1954	Armitage .	

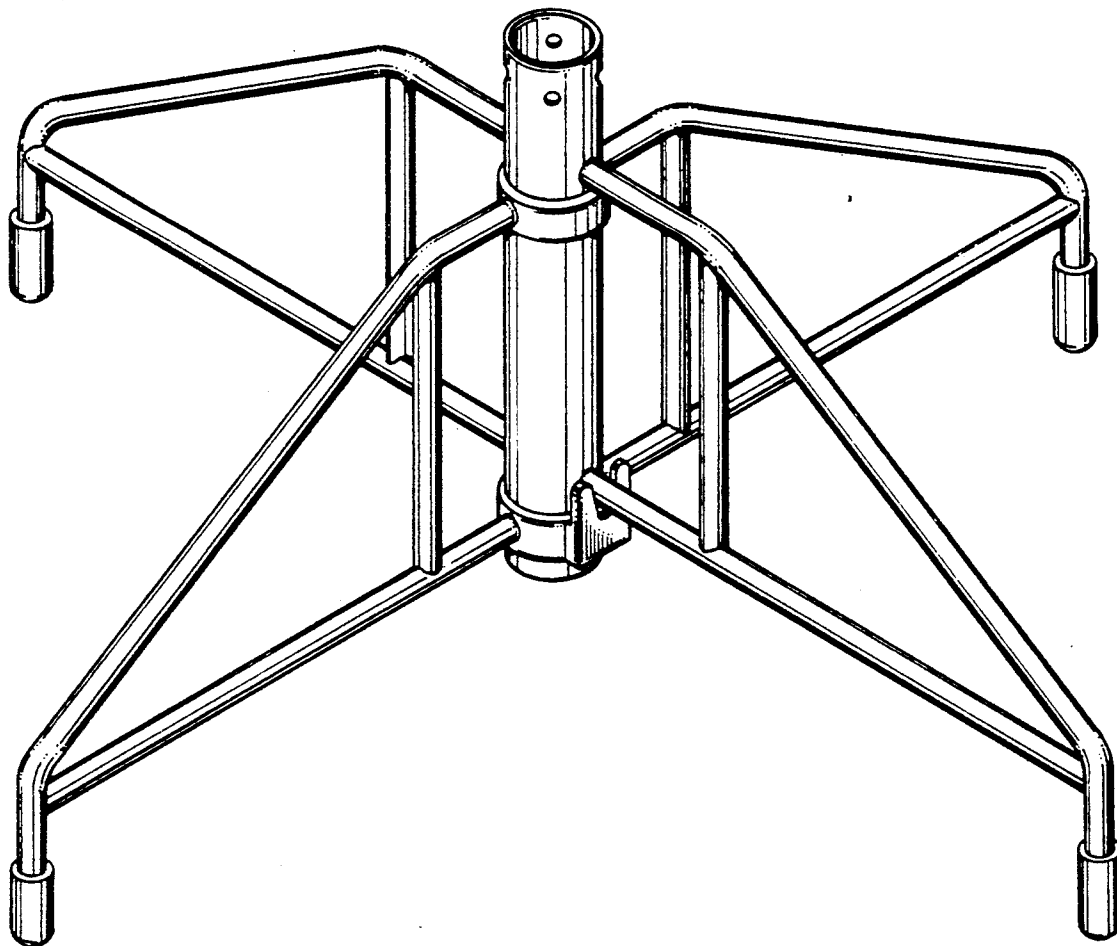
Primary Examiner—Bernard Ansher
Assistant Examiner—Dominic Simone
Attorney, Agent, or Firm—Fulwider Patton Lee & Utecht

[57] **CLAIM**

The ornamental design for a Christmas tree stand, as shown and described.

DESCRIPTION

FIG. 1 is a front perspective view of my Christmas tree stand; and,
 FIG. 2 is a rear perspective view of my Christmas tree stand.



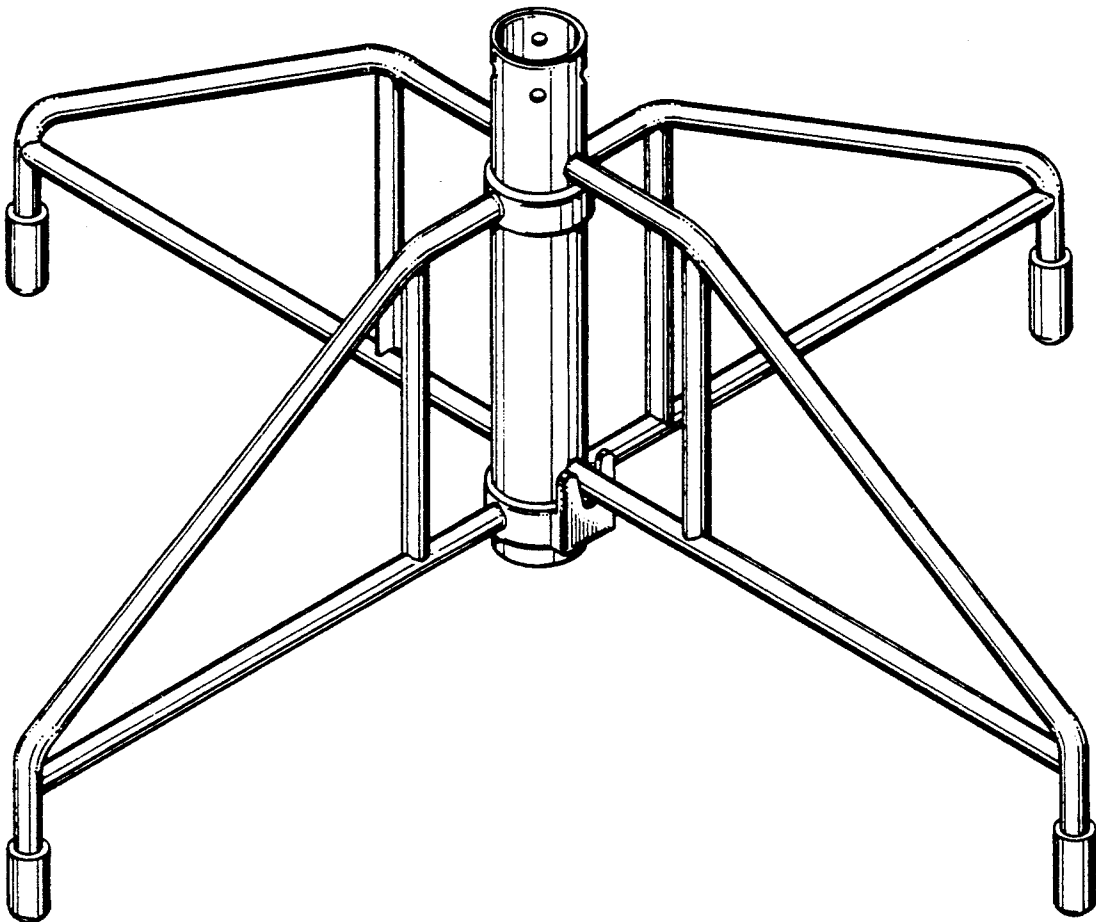


FIG. 1

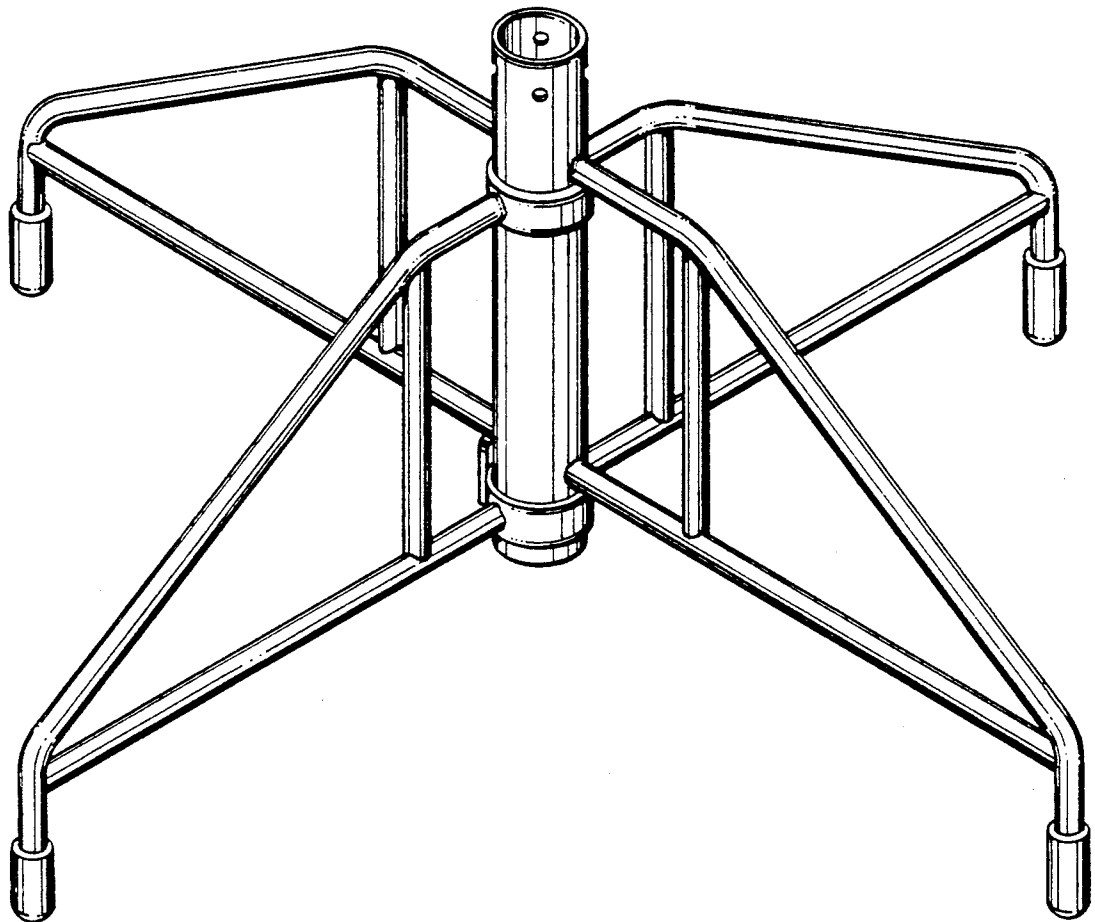


FIG. 2