



US00D937455S

(12) **United States Design Patent**  
**Wu**

(10) **Patent No.:** **US D937,455 S**

(45) **Date of Patent:** **\*\* Nov. 30, 2021**

(54) **VEHICLE LIGHT**

(71) Applicant: **COPLUS INC.**, Tainan (TW)

(72) Inventor: **Po-Hua Wu**, Tainan (TW)

(73) Assignee: **COPLUS INC.**, Tainan (TW)

(\*\*) Term: **15 Years**

(21) Appl. No.: **29/763,751**

(22) Filed: **Dec. 23, 2020**

(30) **Foreign Application Priority Data**

Nov. 13, 2020 (TW) ..... 109306341

(51) **LOC (13) Cl.** ..... **26-06**

(52) **U.S. Cl.**

USPC ..... **D26/28**

(58) **Field of Classification Search**

USPC ..... D26/28-36, 139

CPC ..... F21S 48/00; F21S 48/10; F21S 48/115;

F21S 48/225; F21S 48/1233; F21S

48/1266; F21S 48/1388; F21S 48/2268;

F21V 5/00; B60Q 9/13; B60Q 9/135;

B60Q 9/1375

See application file for complete search history.

(56) **References Cited**

U.S. PATENT DOCUMENTS

D504,734 S *	5/2005	Weng .....	D26/28
D642,711 S *	8/2011	Schneider .....	D26/28
D703,847 S *	4/2014	MacKay .....	D26/28
D749,246 S *	2/2016	Thole .....	D26/28
D767,180 S *	9/2016	Lai .....	D26/28
D792,619 S *	7/2017	Wu .....	D26/28
D812,274 S *	3/2018	Wu .....	D26/28

\* cited by examiner

*Primary Examiner* — Marcus A Jackson

(74) *Attorney, Agent, or Firm* — Lewis Roca Rothgerber  
Christie LLP

(57) **CLAIM**

The ornamental design for vehicle light, as shown and described.

**DESCRIPTION**

FIG. 1 is a perspective view of a vehicle light;

FIG. 2 is a front view thereof;

FIG. 3 is a back view thereof;

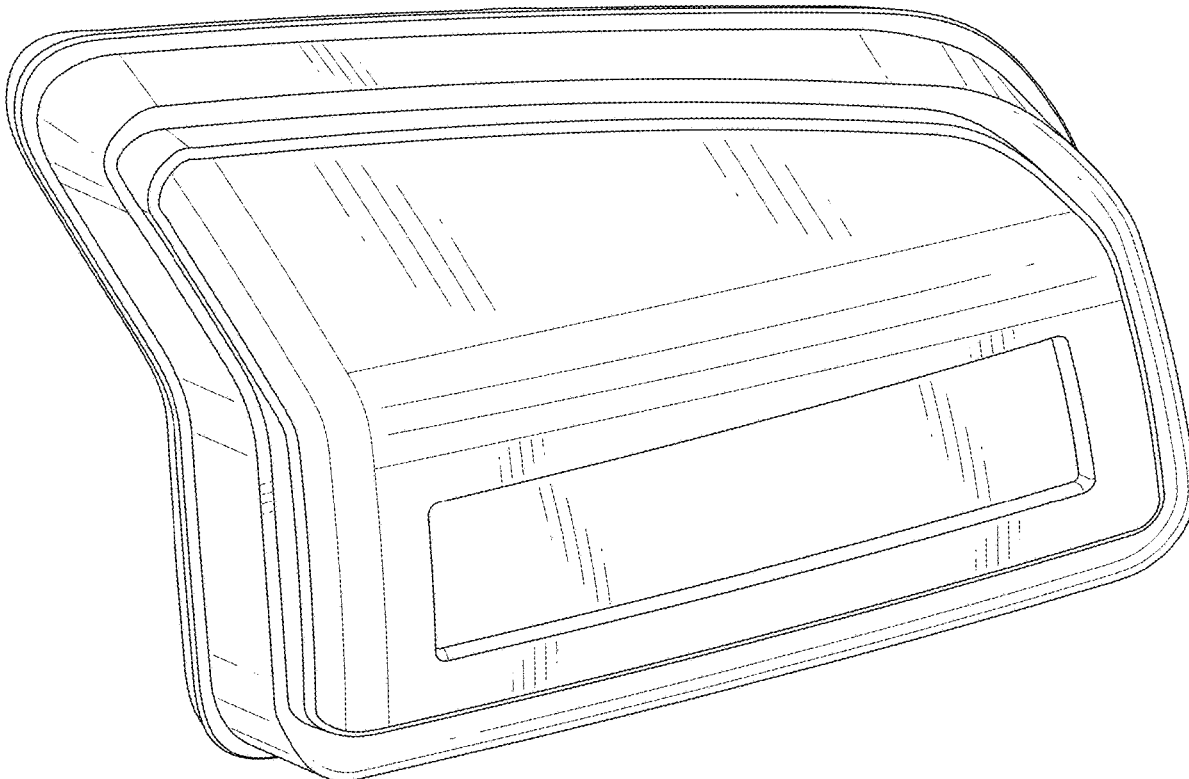
FIG. 4 is a left side view thereof;

FIG. 5 is a right side view thereof;

FIG. 6 is a top view thereof; and,

FIG. 7 is a bottom view thereof.

**1 Claim, 7 Drawing Sheets**



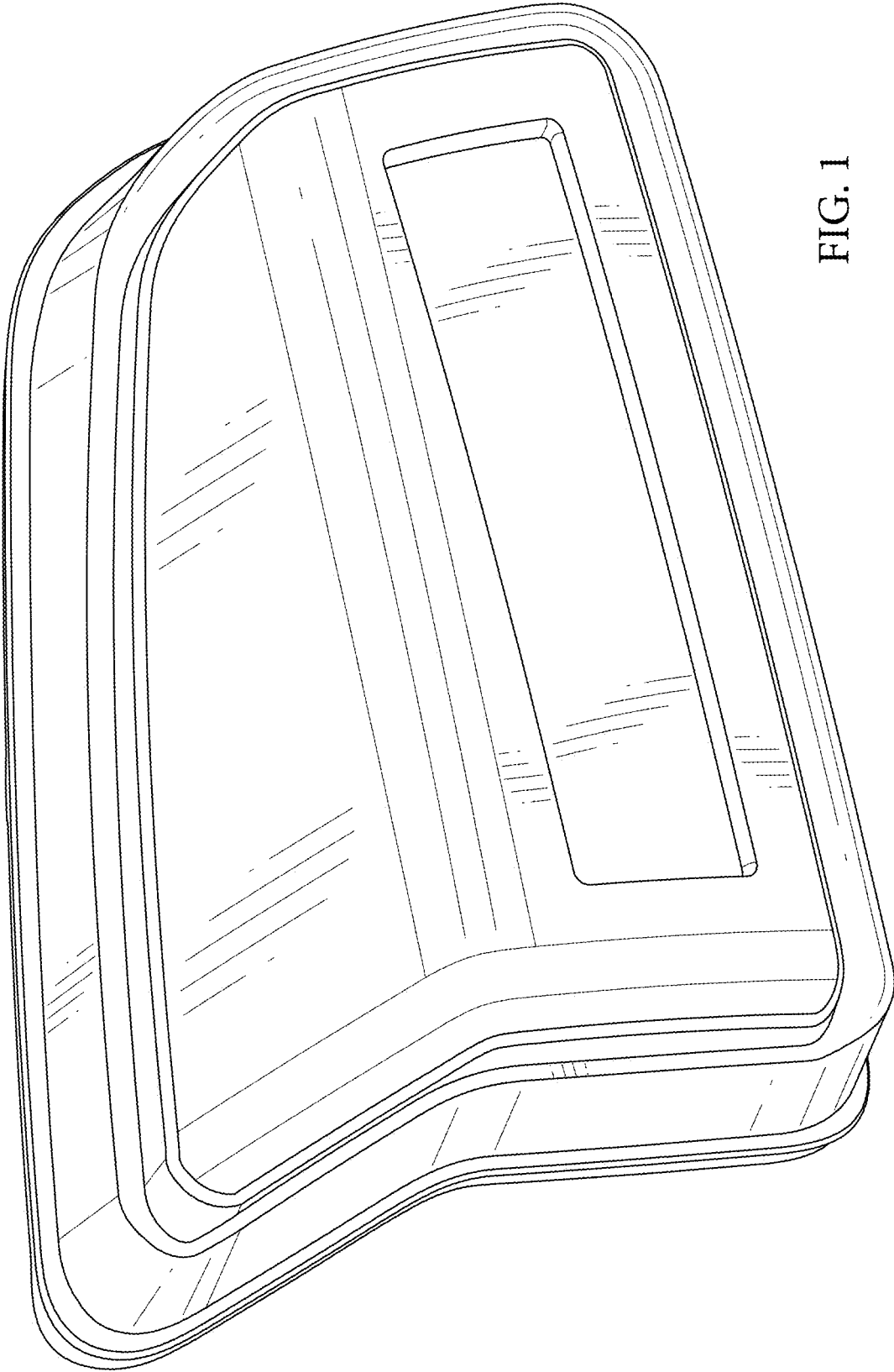


FIG. 1

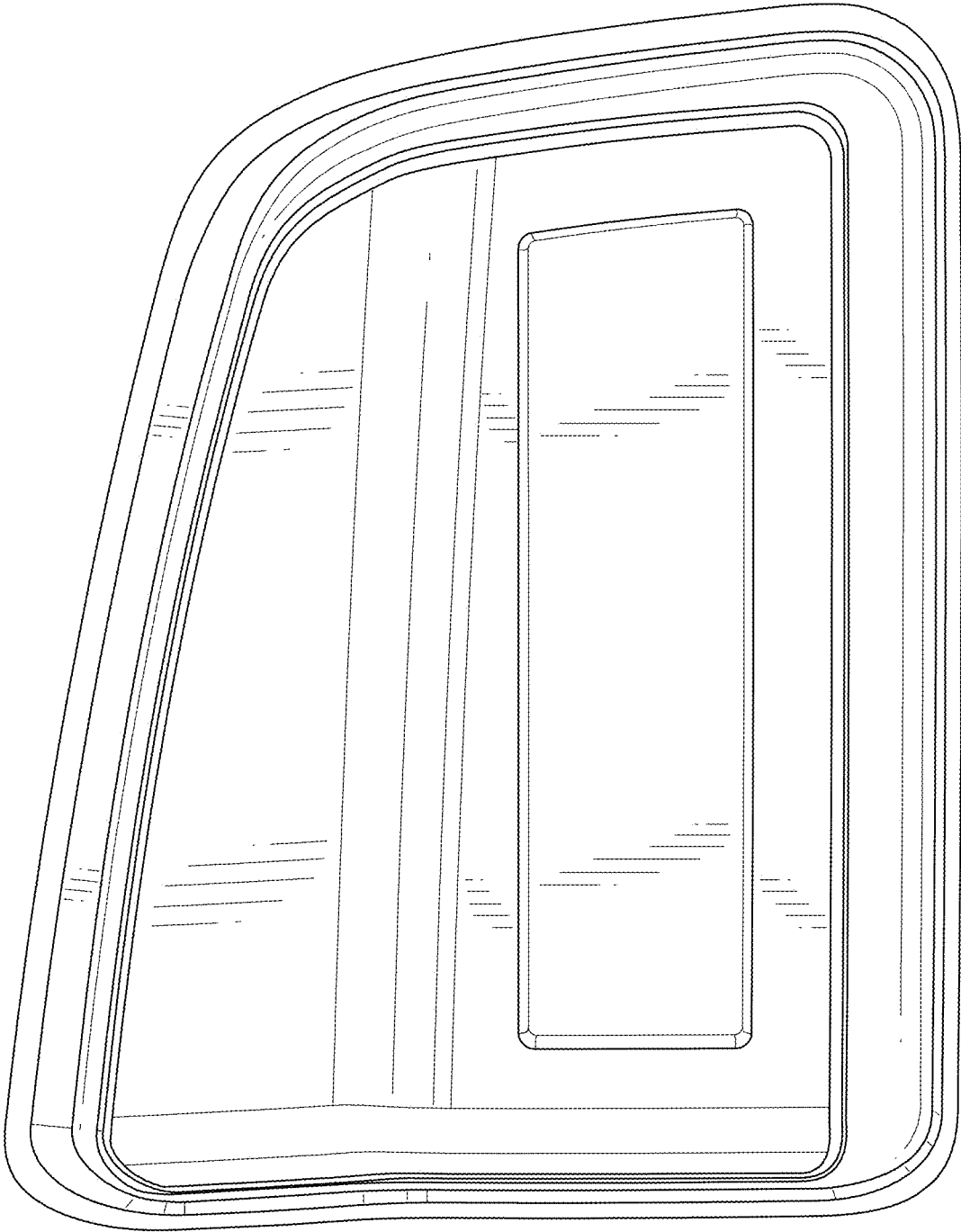


FIG. 2

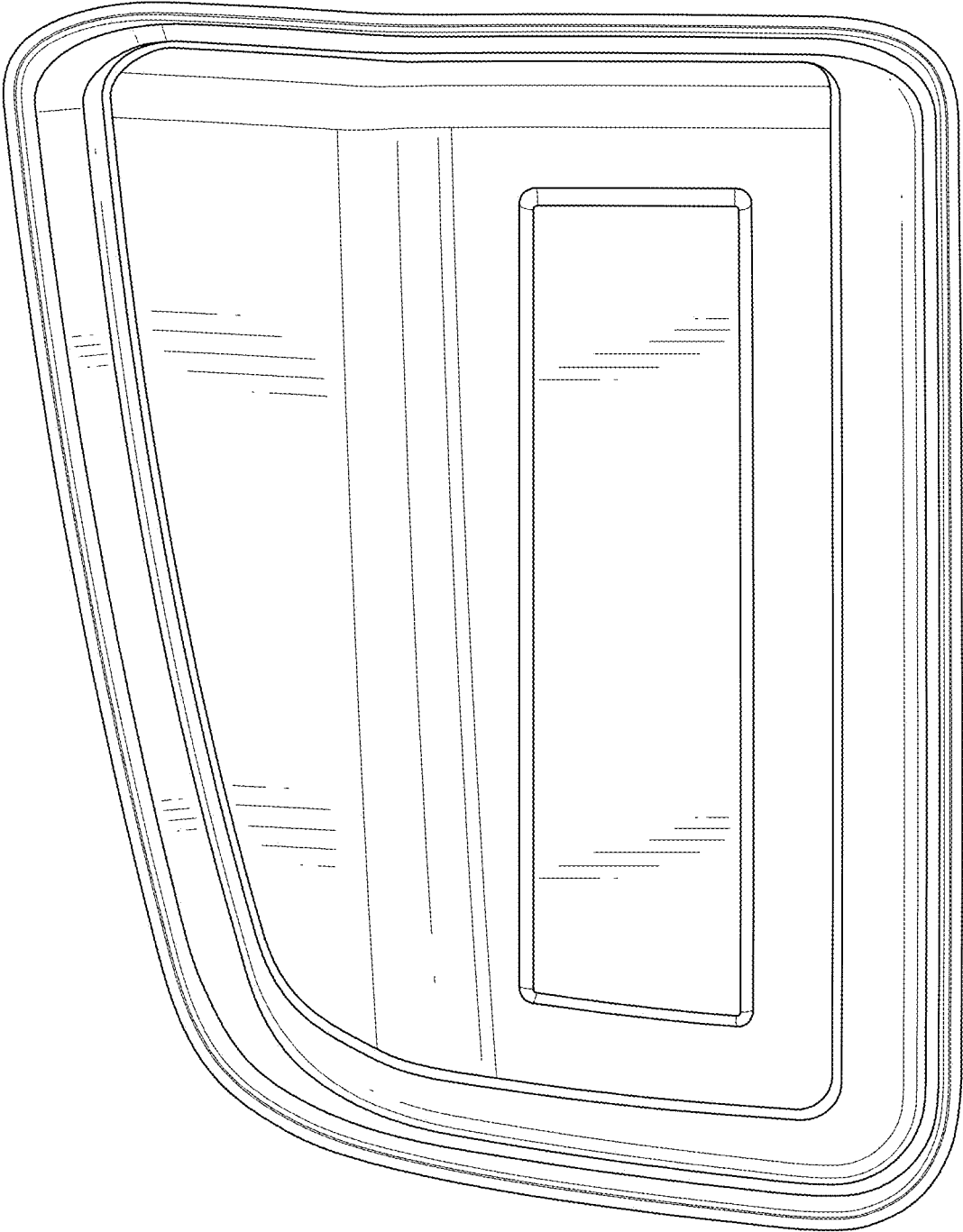


FIG. 3

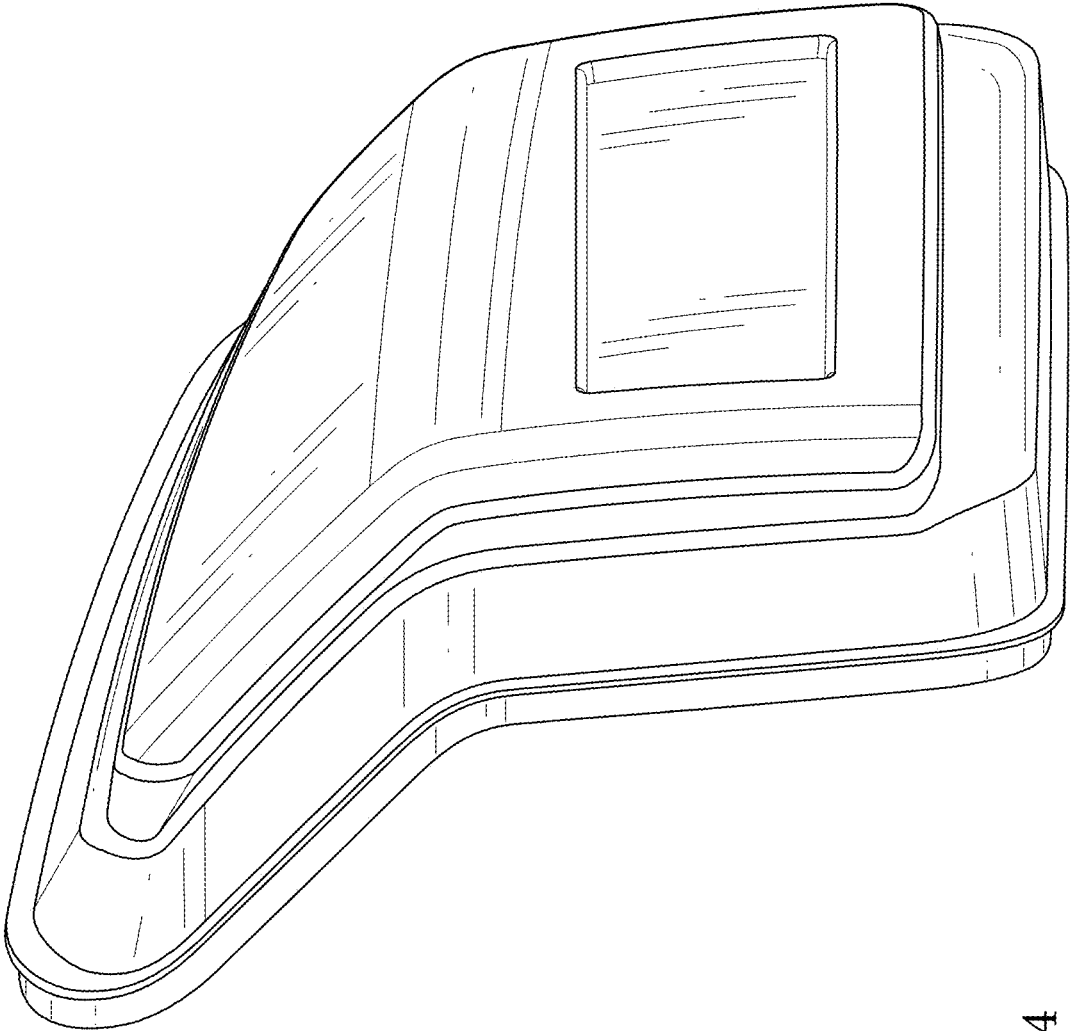


FIG. 4

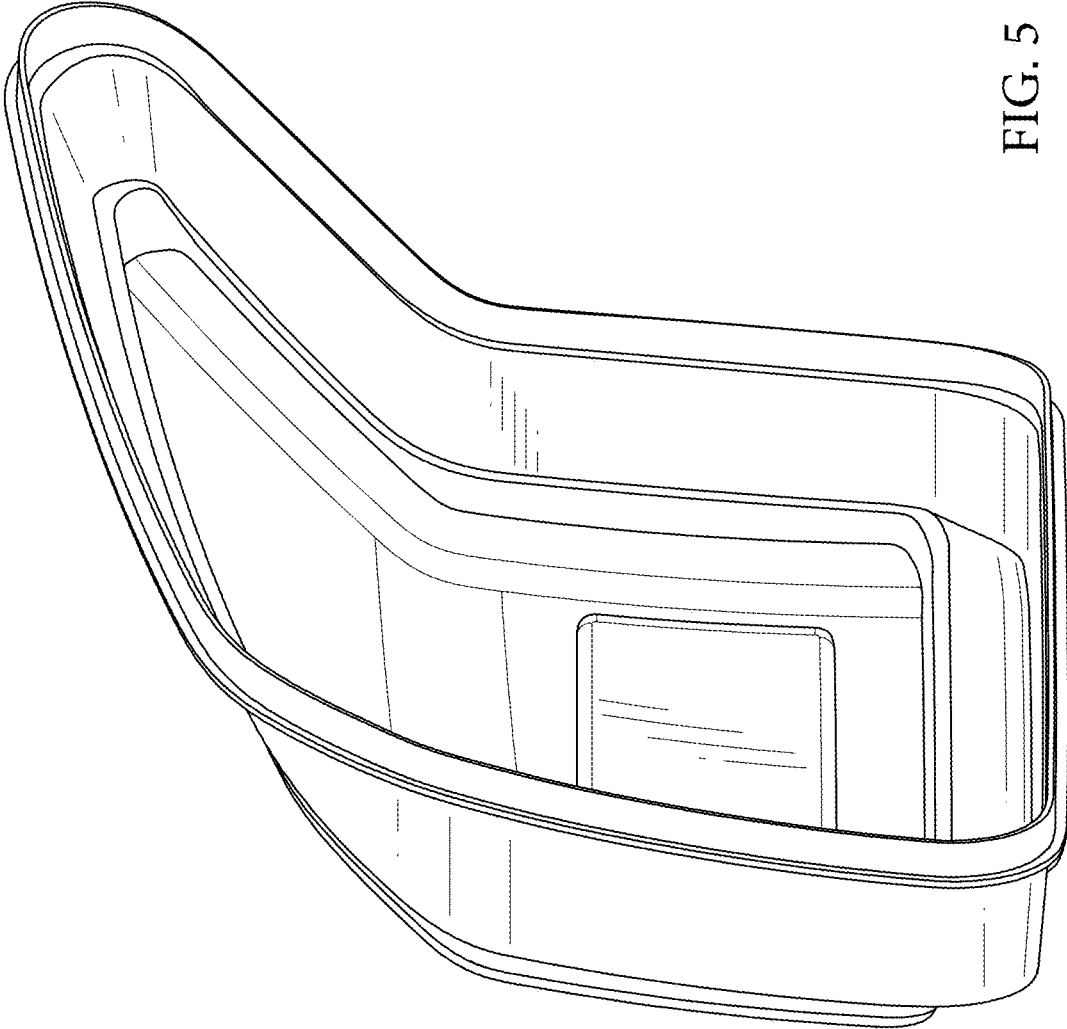


FIG. 5

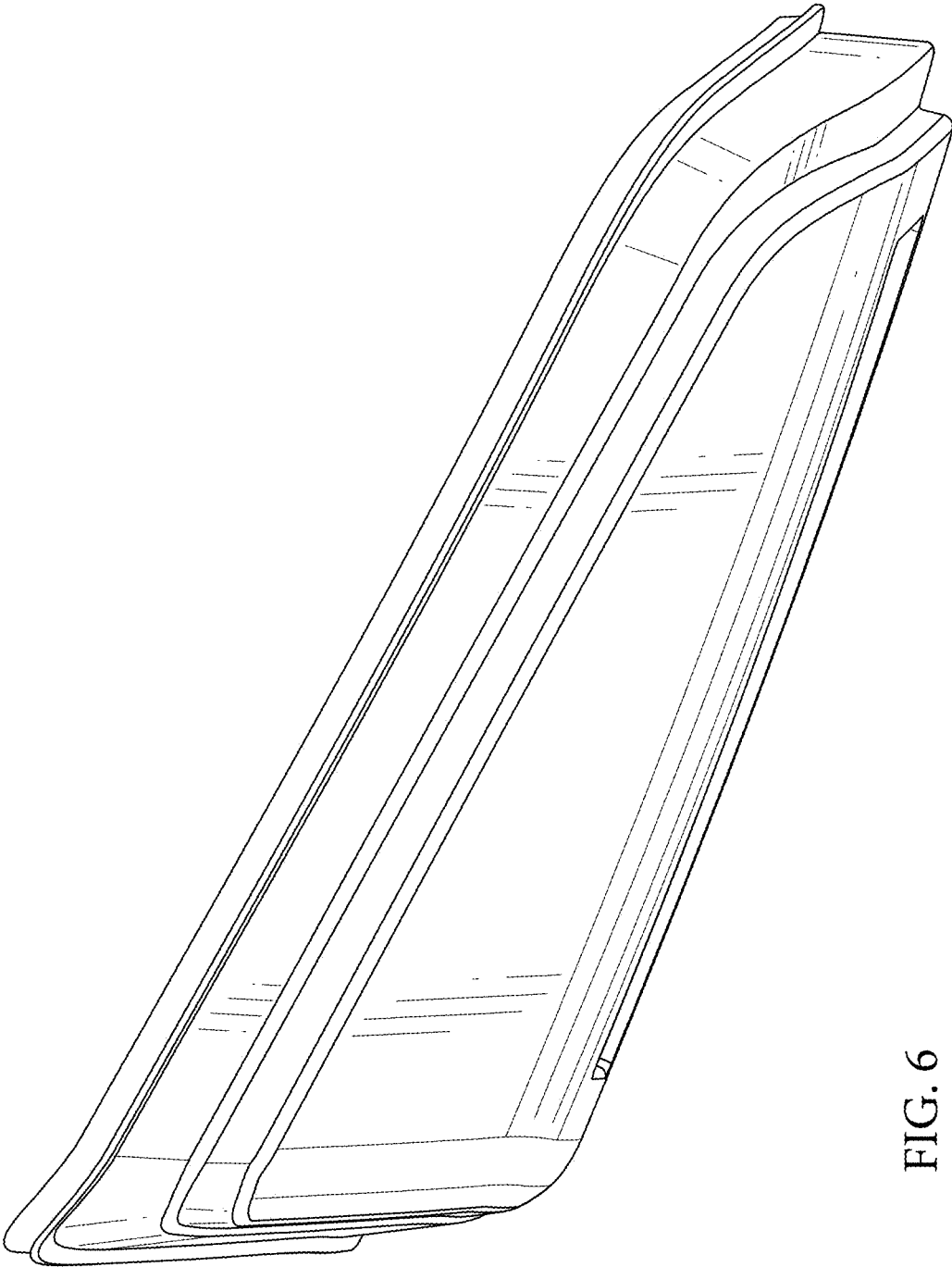


FIG. 6

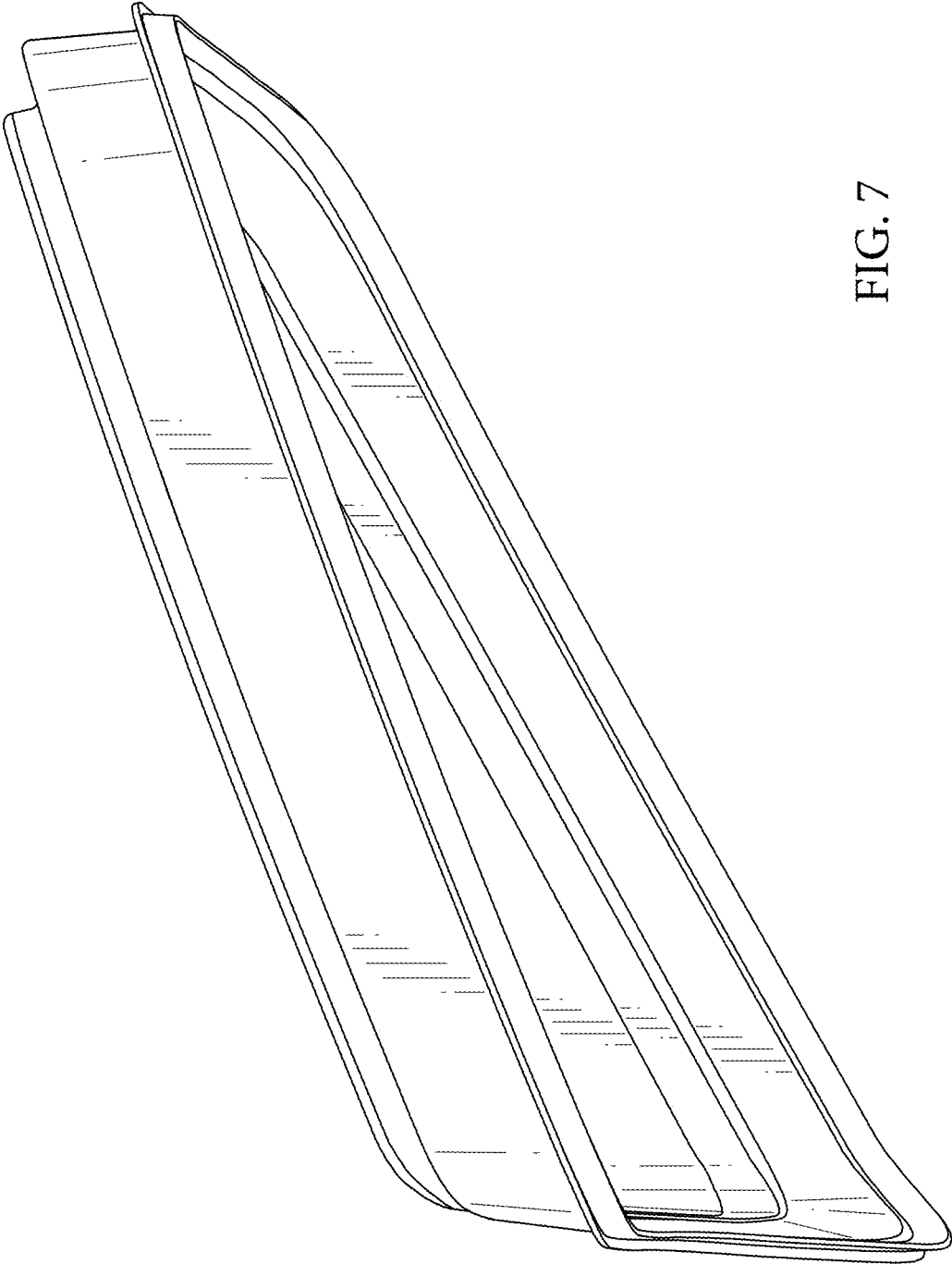


FIG. 7