



US00D458771S

(12) **United States Design Patent** (10) **Patent No.:** **US D458,771 S**
Maitland-Smith (45) **Date of Patent:** **** Jun. 18, 2002**

(54) **TABLE**

(75) **Inventor:** **Paul Maitland-Smith**, Ho Chi Minh (VN)

(73) **Assignee:** **Statecraft International Inc.**, Port Vila (VU)

(**) **Term:** **14 Years**

(21) **Appl. No.:** **29/140,776**

(22) **Filed:** **Apr. 24, 2001**

(51) **LOC (7) Cl.** **06-04**

(52) **U.S. Cl.** **D6/448; D6/480**

(58) **Field of Search** **D6/432-448; 312/204, 312/224, 237, 278, 279**

(56) **References Cited**

U.S. PATENT DOCUMENTS

D429,915 S * 8/2000 Hazen et al. D6/432
D440,791 S * 4/2001 Cain D6/446
D451,700 S * 12/2001 Vaaler D6/445

OTHER PUBLICATIONS

Furniture Today, Riverside Table, Oct. 21, 1996, p. 147.*
George II Brass-Studded and Brass-Mounted Leather Coffer, Christie's New York Catalog, p. 255, Oct. 21, 1999 Auction.

George III Polychrome and Parcel-Gilt Circular Table, Christie's New York Catalog, p. 223, Oct. 21, 1999 Auction.

* cited by examiner

Primary Examiner—Cathron C. Brooks

(74) *Attorney, Agent, or Firm*—Womble Carlyle Sandridge & Rice, PLLC

(57) **CLAIM**

The ornamental design for a table, as shown and described.

DESCRIPTION

FIG. 1 is a front perspective view of a table showing my new design;

FIG. 2 is a side elevational view, the opposite side being a mirror image thereof;

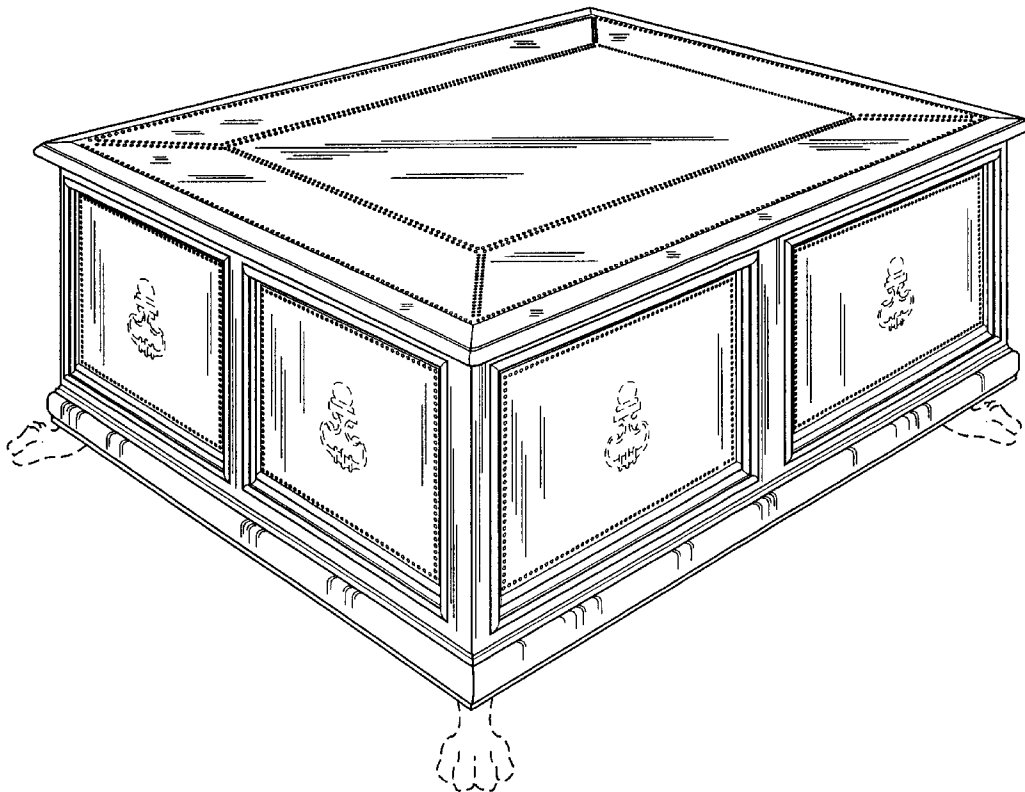
FIG. 3 is a end elevational view, the opposite end being a mirror image thereof;

FIG. 4 is a top view thereof; and,

FIG. 5 is a front perspective view thereof, with a dashed line representation of surface ornamentation.

The bottom view is not shown and forms no part of the claimed design. The dashed lines represent environmental elements only and form no part of the claimed design.

1 Claim, 5 Drawing Sheets



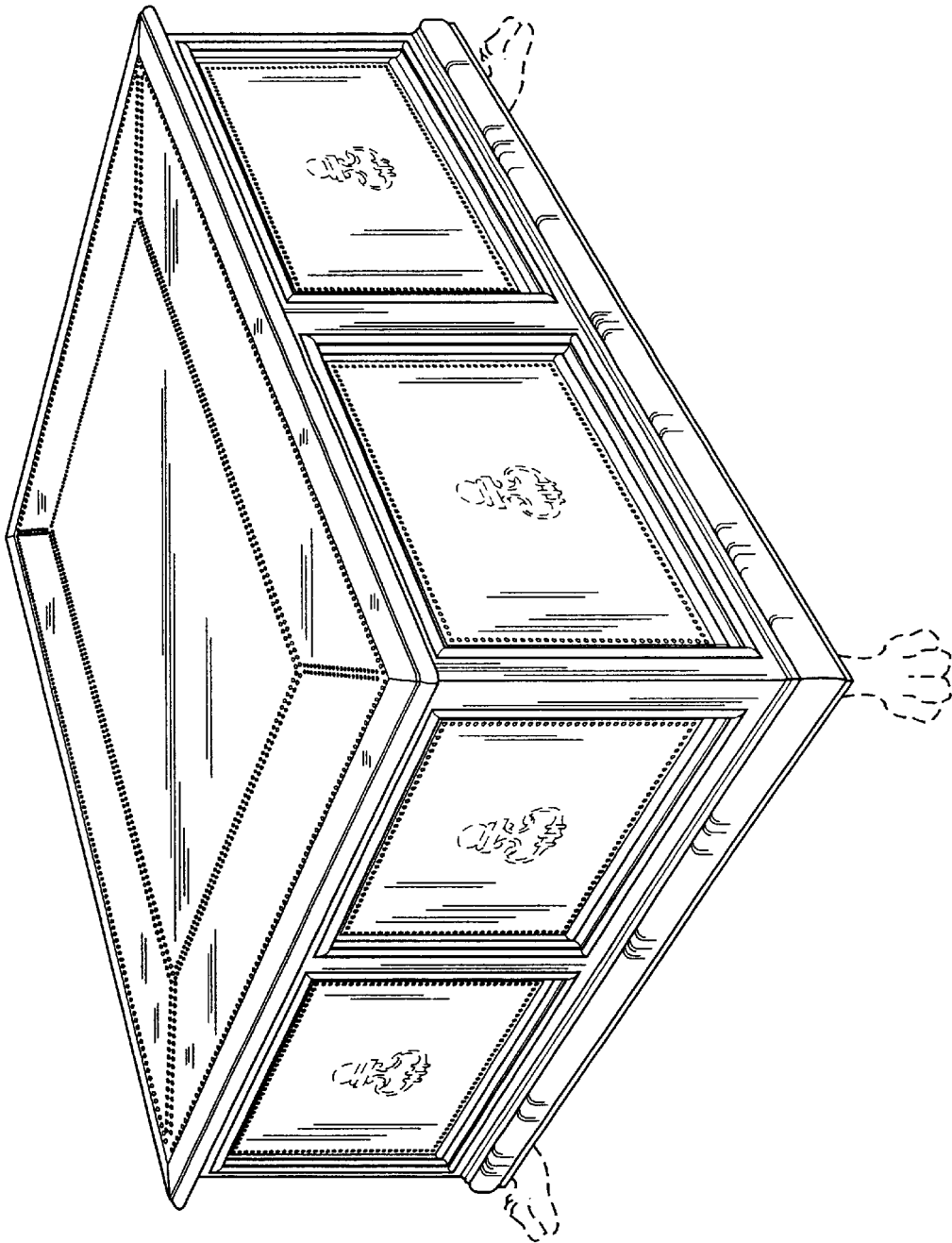


FIG. 1

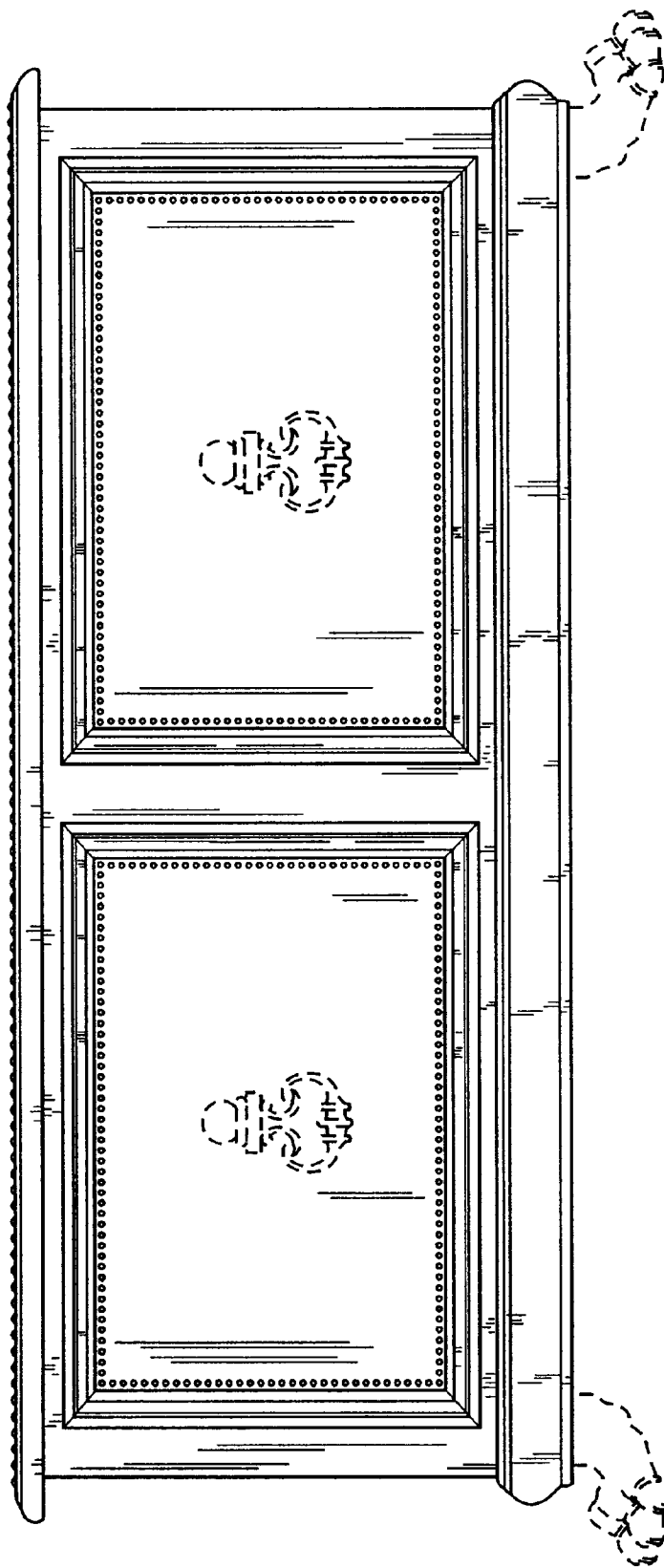


FIG. 2

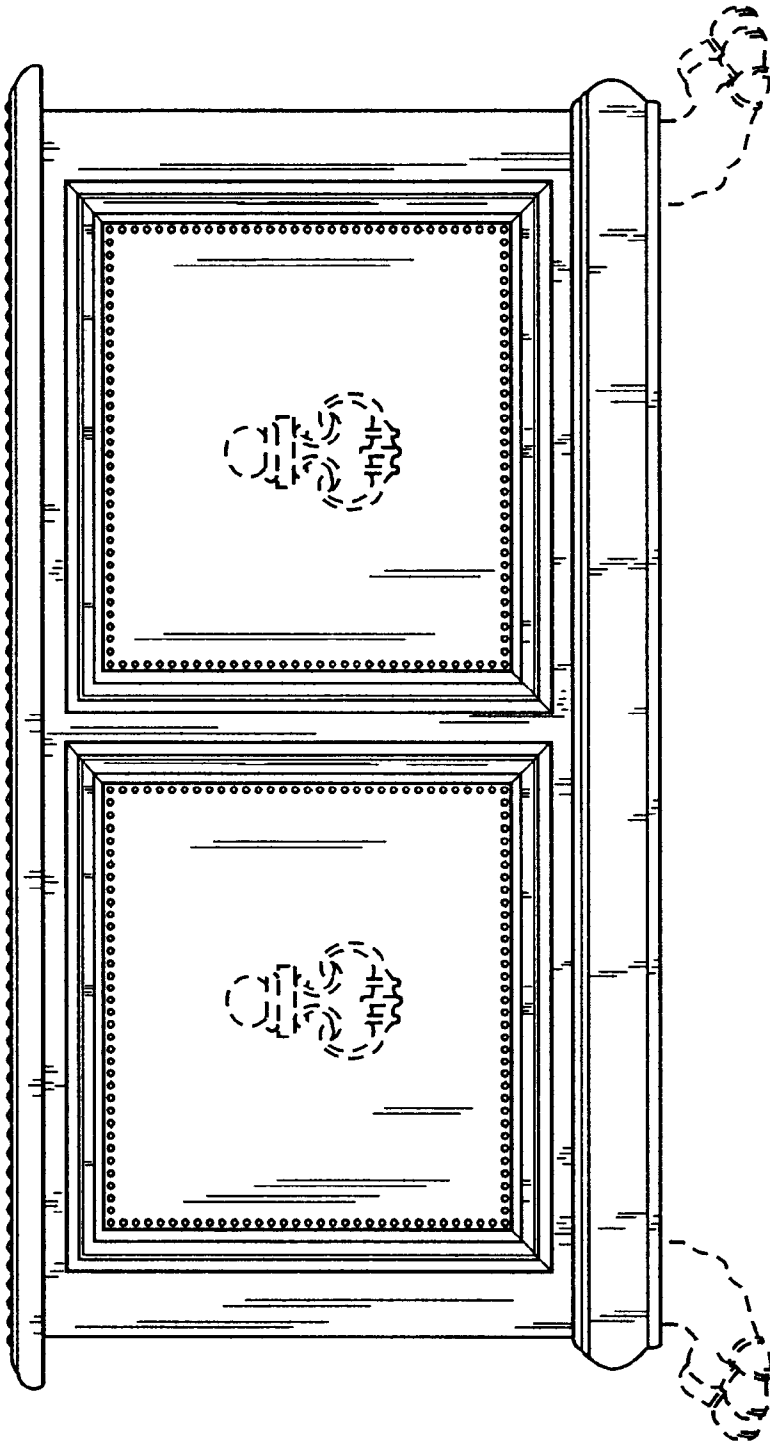


FIG. 3

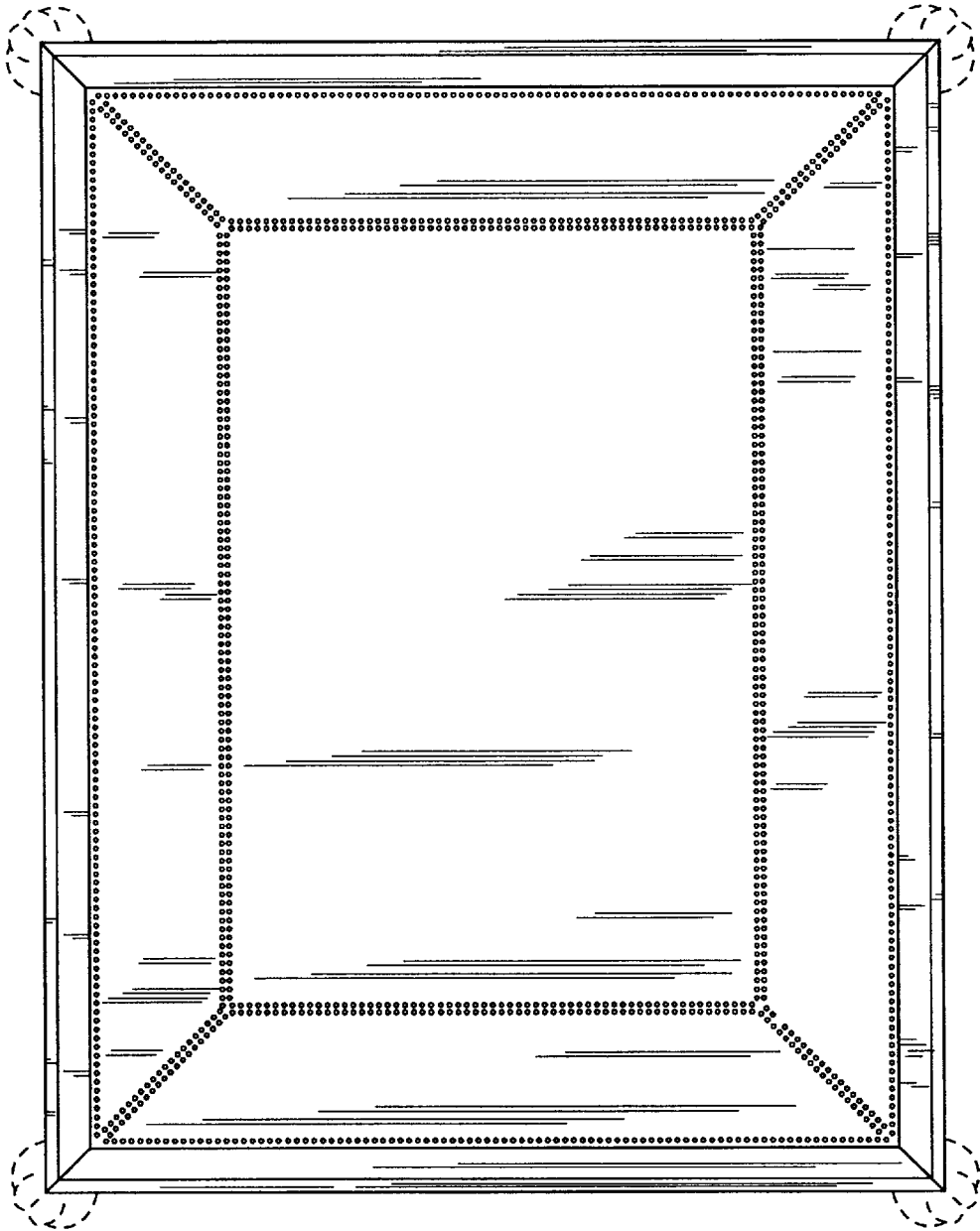


FIG. 4

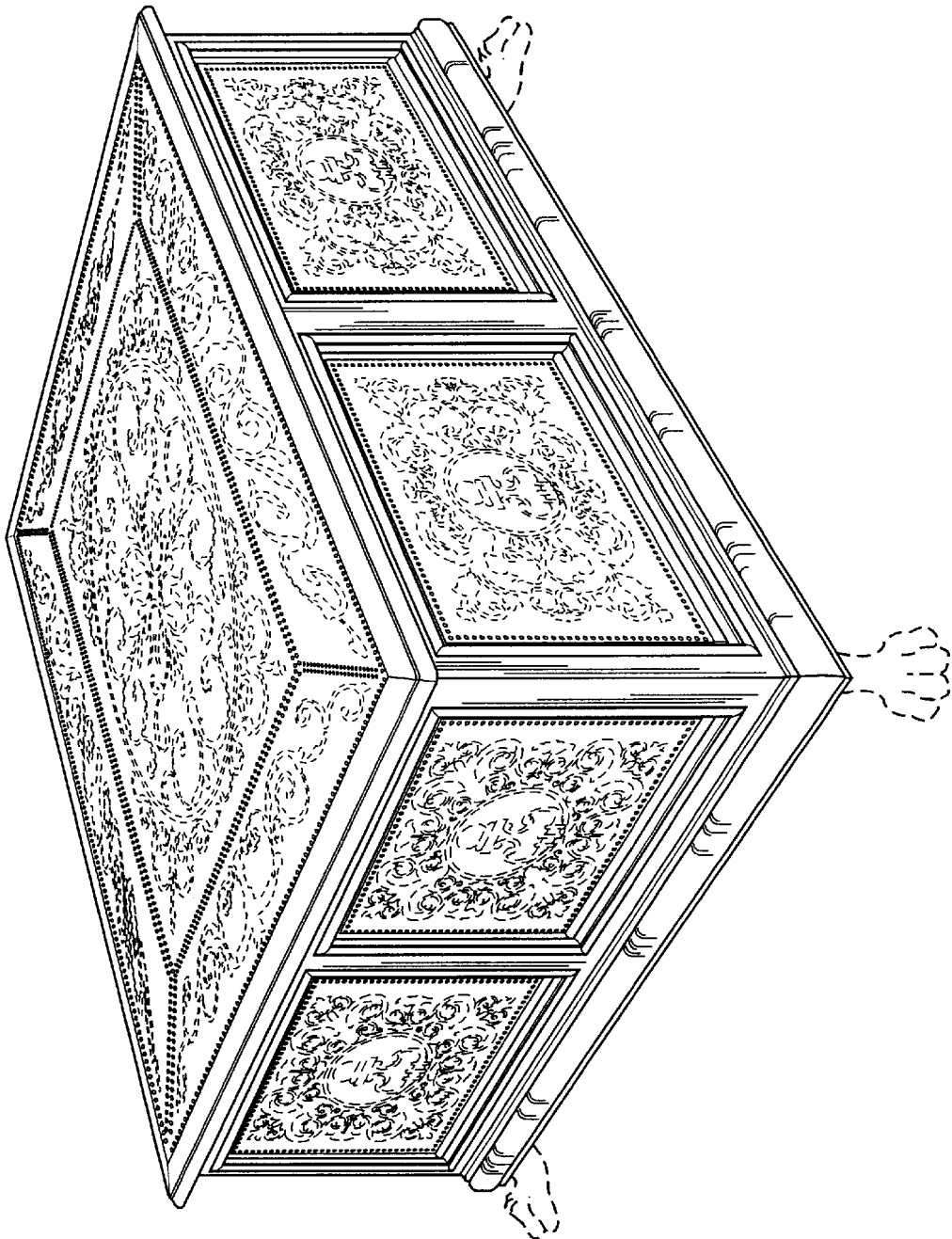


FIG. 5