



US00D782127S

(12) **United States Design Patent**  
**Wechsler**

(10) **Patent No.:** **US D782,127 S**

(45) **Date of Patent:** **\*\* Mar. 21, 2017**

- (54) **ELEVATED PET BOWL**
- (71) Applicant: **Lawrence I. Wechsler**, Great Neck, NY (US)
- (72) Inventor: **Lawrence I. Wechsler**, Great Neck, NY (US)
- (\*\*) Term: **15 Years**
- (21) Appl. No.: **29/557,260**

D132,421 S *	5/1942	Krapp	119/77
2,366,584 A *	1/1945	Woodward	A01K 5/0114
			119/72
D148,608 S *	2/1948	Bullock	D30/104
2,657,891 A *	11/1953	Haften	A47G 23/0216
			248/146
D257,494 S *	11/1980	Imhoff	D30/129
D289,807 S *	5/1987	Russell	D30/129
4,899,967 A *	2/1990	Johnson	B65B 67/12
			248/97
D361,632 S *	8/1995	Ratia	D26/10

(Continued)

- (22) Filed: **Mar. 7, 2016**
- (51) **LOC (10) Cl.** ..... **30-03**
- (52) **U.S. Cl.**  
USPC ..... **D30/129; D30/133; D30/132; D30/121**
- (58) **Field of Classification Search**  
USPC ..... D30/133, 121, 128, 130, 132, 129, 131;  
119/52.1, 55, 61.5, 61.6, 61.57, 61.56;  
D6/480-485; 248/188; 312/204;  
108/153.1-157  
CPC ..... A01K 5/00; A01K 5/01; A01K 5/0107;  
A01K 5/0114; A01K 5/0121; A01K  
5/0128; A01K 5/0135; A01K 7/005  
See application file for complete search history.

(56) **References Cited**

**U.S. PATENT DOCUMENTS**

162,131 A *	4/1875	Williams	F16M 11/00
			248/165
299,713 A *	6/1884	Babbitt et al.	F24B 1/205
			126/29
376,767 A *	1/1888	Creque	A47B 13/06
			248/172
D31,666 S *	10/1899	Steppe	248/146
1,722,521 A *	7/1929	Hiatt	A47J 47/16
			126/30
1,830,769 A *	11/1931	Rothermel	A47G 7/025
			248/154

**OTHER PUBLICATIONS**

Tripod Single Bowl Stand, <http://www.callingalldogs.com/Tripod-single-dog-bowl-stand.aspx>, 2016, 1 page.\*

(Continued)

*Primary Examiner* — Susan Moon Lee

(57) **CLAIM**

The ornamental design for an elevated pet bowl, substantially as shown and described.

**DESCRIPTION**

FIG. 1 is a top perspective view of an elevated pet bowl showing my new design;  
 FIG. 2 is a bottom perspective view thereof;  
 FIG. 3 is a front elevational view thereof;  
 FIG. 4 is a rear elevational view thereof;  
 FIG. 5 is a side elevational view of the elevated pet bowl, the opposite side being a mirror image thereof;  
 FIG. 6 is a top plan view thereof;  
 FIG. 7 is a bottom plan view thereof; and,  
 FIG. 8 is a top and front perspective view showing two elevated pet bowls according to my new design in a stacked arrangement.

**1 Claim, 4 Drawing Sheets**

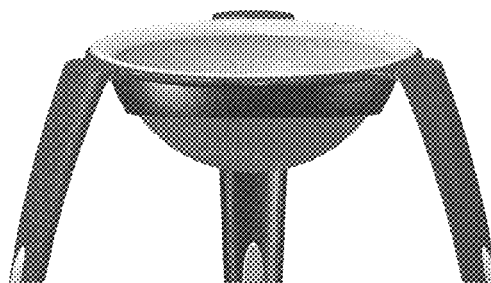






FIG. 1

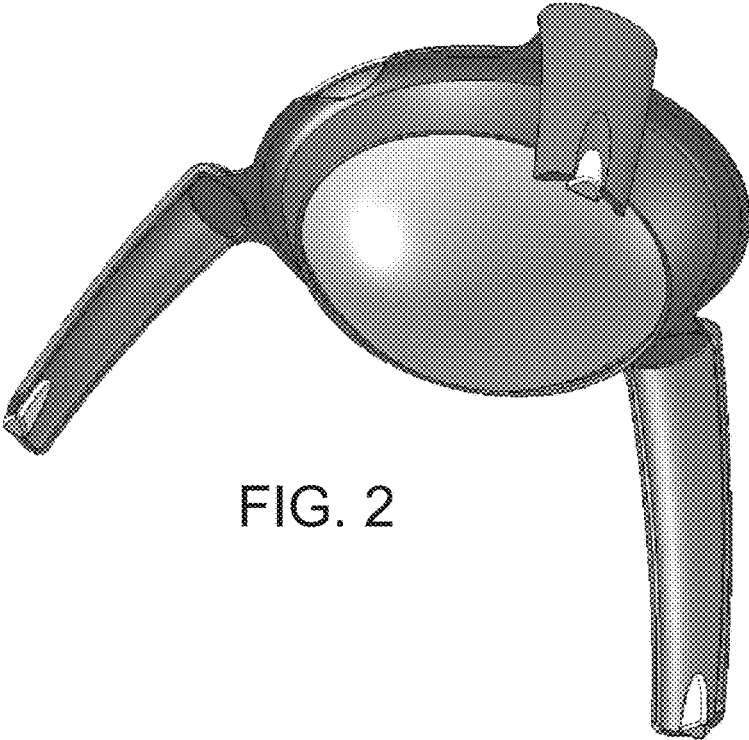


FIG. 2

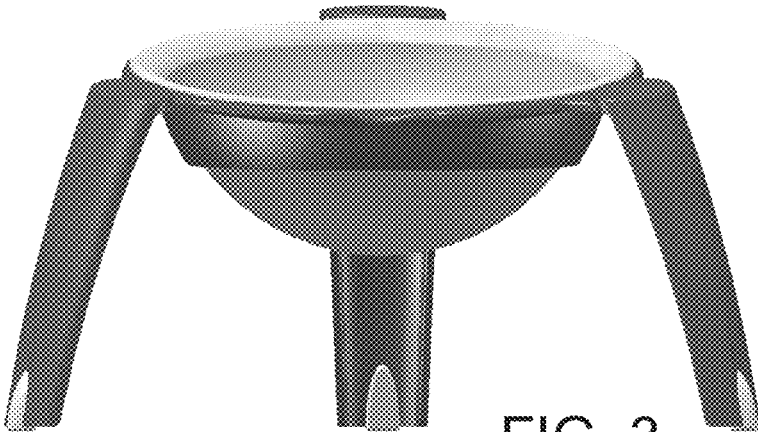


FIG. 3

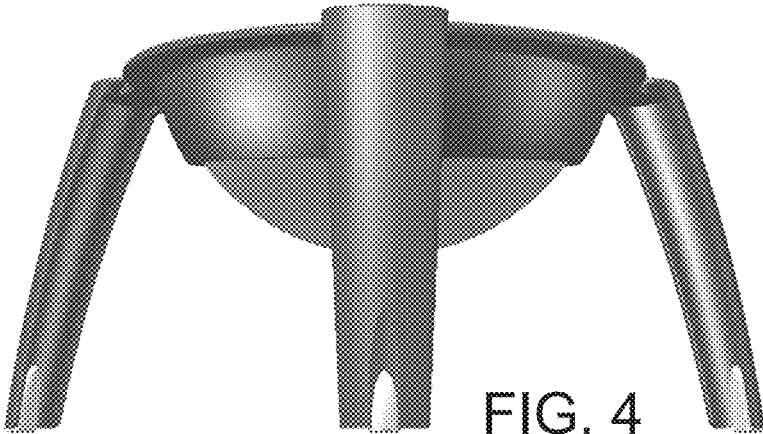


FIG. 4

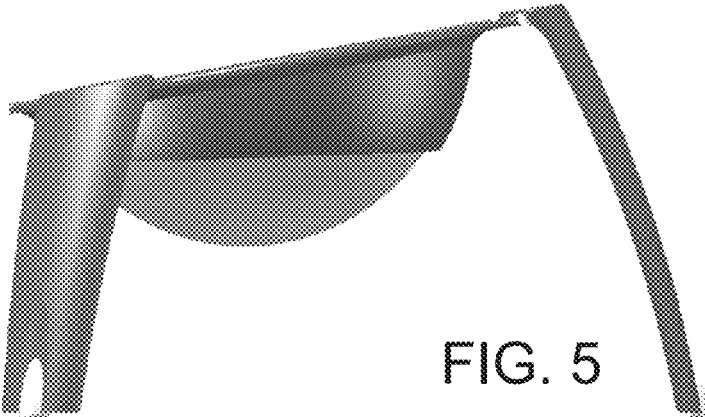


FIG. 5

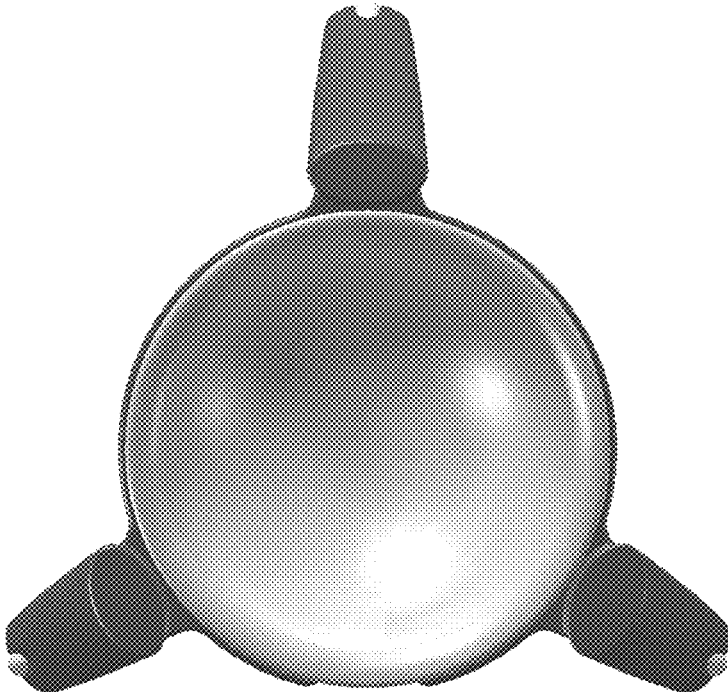


FIG. 6



FIG. 7



FIG. 8