



US00D364332S

United States Patent [19]

Sachs

[11] Patent Number: **Des. 364,332**

[45] Date of Patent: ****Nov. 21, 1995**

[54] **ELECTRICAL GROUND BRACKET**

2,322,798 6/1943 Fischer 248/475.1

[76] Inventor: **Isaac Sachs**, 283 Newton,
Dollard-des-Ormeaux, Quebec, Canada,
H9A 3G1

FOREIGN PATENT DOCUMENTS

73088 8/1993 Canada .
609691 10/1948 United Kingdom 248/488

[**] Term: **14 Years**

Primary Examiner—Joel Sincavage
Attorney, Agent, or Firm—Foley & Lardner

[21] Appl. No.: **21,896**

[57] CLAIM

[22] Filed: **Apr. 25, 1994**

The ornamental design for an electrical ground bracket, as shown and described.

[52] U.S. Cl. **D8/354**; D13/133; D13/154

[58] Field of Search D13/133, 154;
D8/349, 354, 356, 394, 371; 174/400 CC,
51; 439/92, 95, 97, 98; 361/825; 248/475.1,
488, 490, 492, 496

DESCRIPTION

FIG. 1 is a right end, bottom and front perspective view of an electrical ground bracket showing my new design; FIG. 2 is a right end elevational view thereof; FIG. 3 is a left end elevational view thereof; FIG. 4 is a front elevational view thereof; FIG. 5 is a rear elevational view thereof; FIG. 6 is a top plan view thereof; and, FIG. 7 is a bottom plan view thereof.

[56] References Cited

U.S. PATENT DOCUMENTS

D. 152,254 1/1949 Gallo D8/371
D. 185,474 6/1959 Waller D8/394
D. 297,410 8/1988 Sachs D8/354 X
D. 343,385 1/1994 Sachs D13/154
D. 351,825 10/1994 Sachs D13/154

1 Claim, 1 Drawing Sheet

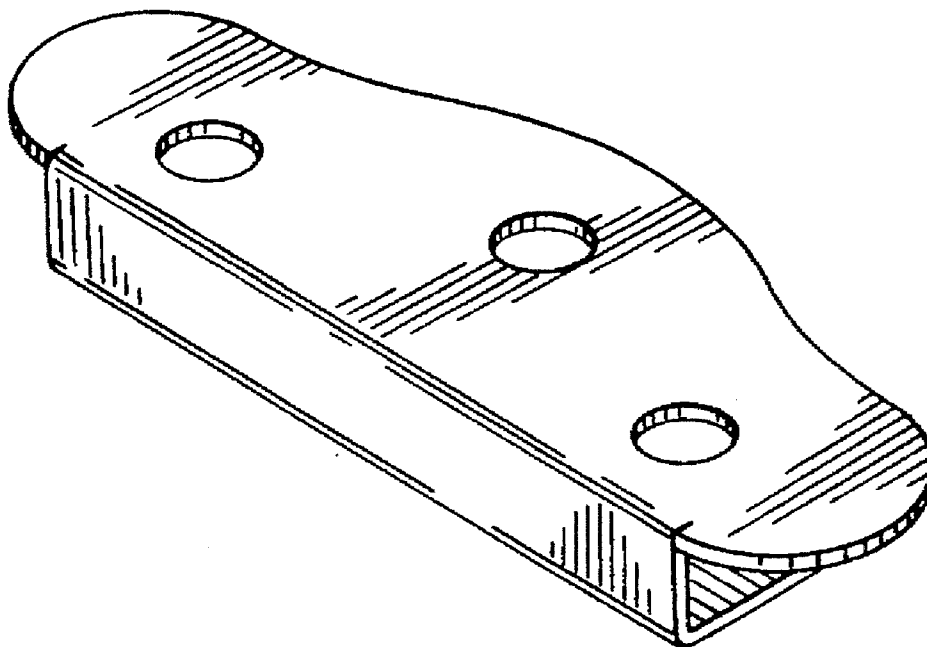


FIG. 1

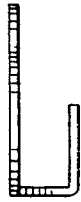
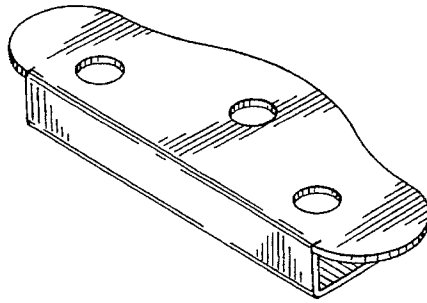


FIG. 2

FIG. 3

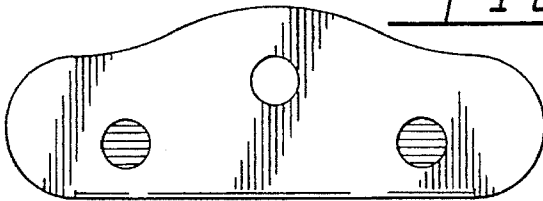


FIG. 4

FIG. 5

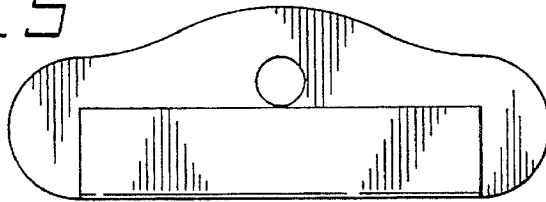


FIG. 6

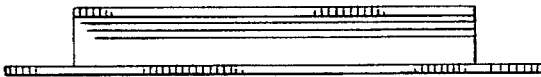


FIG. 7

