



US00D863574S

(12) **United States Design Patent**  
**Yan et al.**

(10) **Patent No.:** **US D863,574 S**  
(45) **Date of Patent:** **\*\* Oct. 15, 2019**

(54) **SKIN CARE DEVICE**  
(71) Applicant: **Guangdong Roman Technology Co., Ltd.**, Dongguan (CN)  
(72) Inventors: **Youchun Yan**, Dongguan (CN); **Yongjun Deng**, Dongguan (CN)  
(73) Assignee: **Guangdong Roman Technology Co., Ltd.**, Dongguan (CN)

D759,831 S \* 6/2016 Levi ..... D24/200  
9,615,646 B2 \* 4/2017 Geva ..... A61H 7/003  
D819,221 S \* 5/2018 Lei ..... D24/200  
10,080,428 B2 \* 9/2018 Kern ..... A61H 7/003

**FOREIGN PATENT DOCUMENTS**

JP D1486046 \* 3/2013  
JP D1613528 \* 4/2018

**OTHER PUBLICATIONS**

RF skin care device. Retrieved May 14, 2019. Retrieved from the Internet: <https://www.amassagermall.com/product/rf-skin-care-device-face-lift/>.  
RF with EMS Skin Care Device. Retrieved May 14, 2019. Retrieved from the Internet: <https://www.norlanya.com/product/rf-with-ems-skin-care-device/>.

\* cited by examiner

*Primary Examiner* — Wan Laymon  
(74) *Attorney, Agent, or Firm* — Wang Law Firm, Inc.

(\*\*) Term: **15 Years**  
(21) Appl. No.: **29/645,233**  
(22) Filed: **Apr. 24, 2018**

(30) **Foreign Application Priority Data**

Dec. 1, 2017 (CN) ..... 2017 3 0605713

(51) **LOC (12) Cl.** ..... **28-03**  
(52) **U.S. Cl.**  
USPC ..... **D24/200**

(58) **Field of Classification Search**  
USPC ..... D24/200, 211, 214–215  
CPC ..... A61H 7/00; A61H 7/001; A61H 7/002;  
A61H 7/003; A61H 7/004; A61H 7/005;  
A61H 15/00; A61H 15/0078; A61H  
15/0085; A61H 15/0092; A61H  
2015/0007; A61H 2015/0021; A61H  
2015/0042; A61H 2015/005; A61H  
2015/0072; A61H 2205/00; A61H  
2205/022; A61H 23/0263; A61F 7/007  
See application file for complete search history.

(56) **References Cited**

**U.S. PATENT DOCUMENTS**

D403,075 S \* 12/1998 Lie ..... D24/200  
D629,118 S \* 12/2010 Yeo ..... D24/214  
8,620,421 B2 \* 12/2013 Yeo ..... A61H 7/005  
604/20

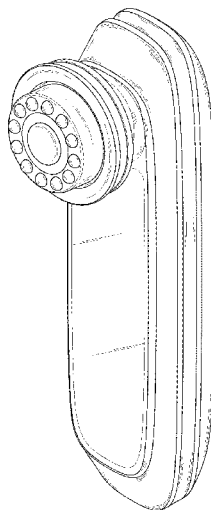
(57) **CLAIM**

The ornamental design for a skin care device, as shown and described.

**DESCRIPTION**

FIG. 1 is a perspective view of the skin care device showing my new design;  
FIG. 2 is a front elevation view thereof;  
FIG. 3 is a rear elevation view thereof;  
FIG. 4 is a left side elevation view thereof;  
FIG. 5 is a top plan view thereof; and,  
FIG. 6 is a bottom plan view thereof.  
The broken lines shown in the figures are included for the purpose of illustrating portions of the skin care device and form no part of the claimed design.

**1 Claim, 6 Drawing Sheets**



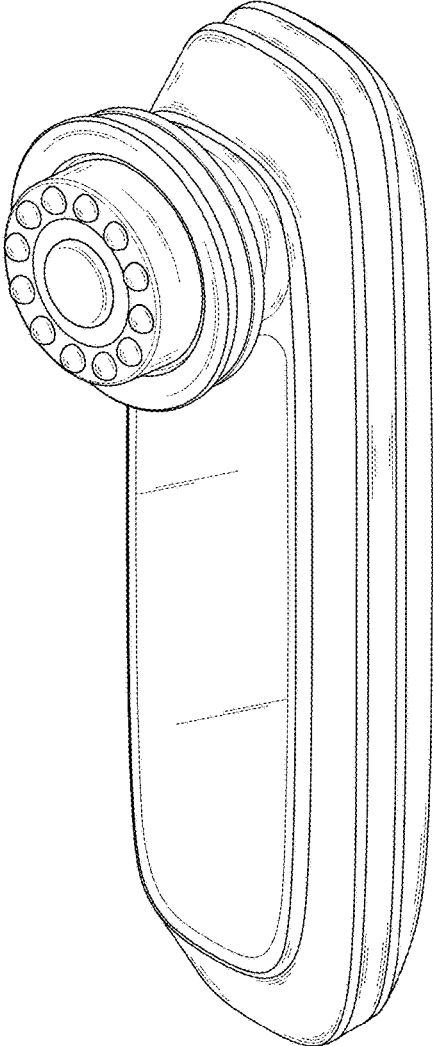


FIG.1

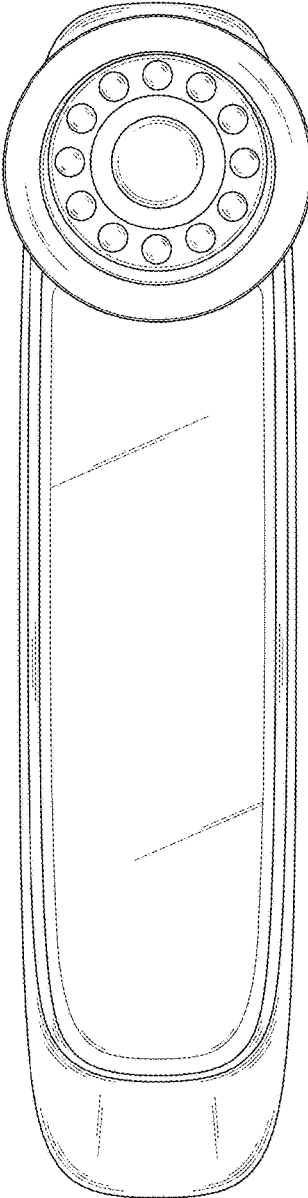


FIG.2

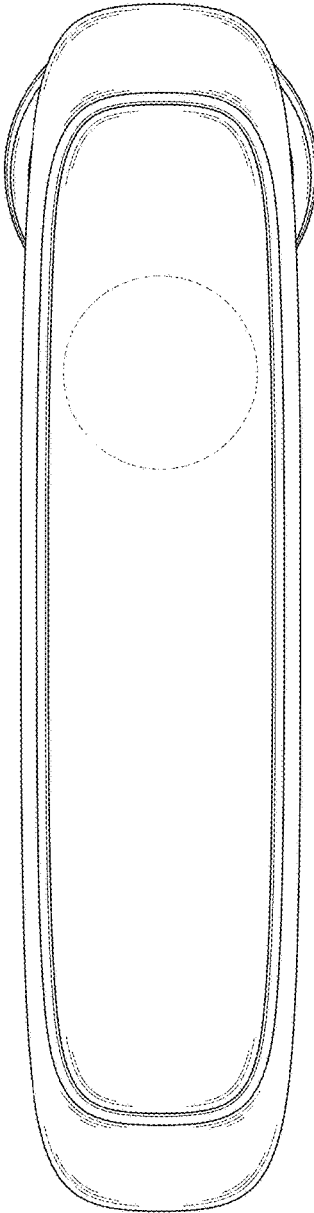


FIG.3

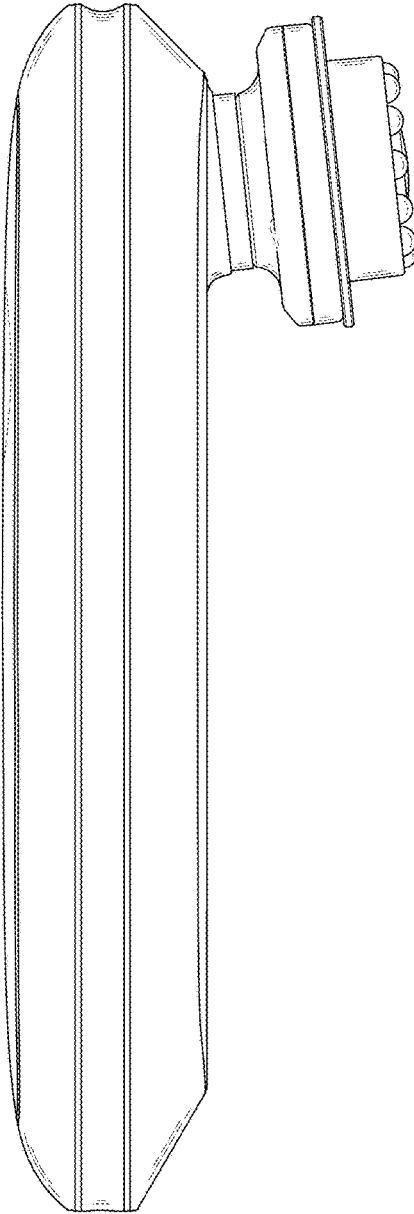


FIG.4

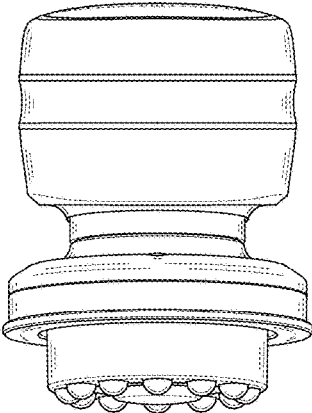


FIG.5

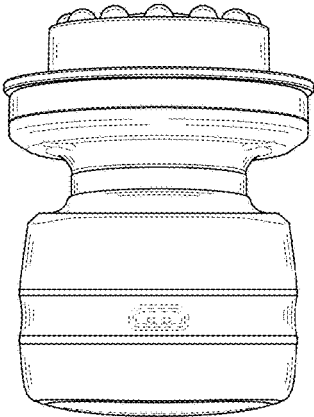


FIG.6