



US00D507477S

(12) **United States Design Patent**
Pfister

(10) **Patent No.:** **US D507,477 S**
(45) **Date of Patent:** **** Jul. 19, 2005**

- (54) **DISPLAY MOUNT**
- (75) **Inventor:** **Joel W. Pfister**, Shorewood, MN (US)
- (73) **Assignee:** **Decade Industries, Inc.**, St. Paul, MN (US)
- (**) **Term:** **14 Years**
- (21) **Appl. No.:** **29/196,729**
- (22) **Filed:** **Jan. 2, 2004**
- (51) **LOC (8) Cl.** **08-05**
- (52) **U.S. Cl.** **D8/363; D14/451**
- (58) **Field of Search** **D8/363, 373, 349, D8/396; D14/451, 452, 238, 432, 448; 248/126, 278.1, 279.1, 514, 291.1; 348/825, 827, 836, 837; 600/443**

- 6,394,403 B1 5/2002 Hung
- 6,402,109 B1 6/2002 Dittmar
- D460,078 S 7/2002 Li
- 6,517,040 B1 2/2003 Wen
- 6,554,238 B1 4/2003 Hibberd
- 6,565,056 B2 5/2003 Lin
- D477,606 S 7/2003 Theis et al.
- 6,592,090 B1 7/2003 Li
- 6,604,722 B1 8/2003 Tan
- 6,663,064 B1 12/2003 Minelli et al.
- 6,672,553 B1 1/2004 Lin
- D488,163 S * 4/2004 Hunt D14/452
- D491,574 S * 6/2004 Hung D14/452
- D494,183 S * 8/2004 Wills et al. D14/452
- D495,714 S * 9/2004 Pfister D8/363
- D496,367 S * 9/2004 Pfister D8/363
- 2002/0011544 A1 1/2002 Bosson
- 2003/0075653 A1 4/2003 Li
- 2003/0136888 A1 7/2003 Boele
- 2003/0154673 A1 8/2003 MacGregor et al.
- 2003/0201372 A1 10/2003 Dozier
- 2003/0227739 A1 12/2003 Kim et al .
- 2004/0011932 A1 1/2004 Duff
- 2004/0011938 A1 1/2004 Oddsen, Jr.

(56) **References Cited**
U.S. PATENT DOCUMENTS

- 4,516,751 A 5/1985 Westbrook
- 4,625,731 A * 12/1986 Quedens et al. 600/443
- 4,687,167 A * 8/1987 Skalka et al. 248/126
- D323,323 S * 1/1992 Klaebel D14/452
- D331,921 S * 12/1992 Gutke et al. D14/452
- D357,922 S 5/1995 Nysether et al.
- 5,751,548 A 5/1998 Hall et al.
- D400,085 S 10/1998 Haskin
- 5,842,672 A 12/1998 Sweere et al.
- D406,228 S 3/1999 Vogels
- D412,167 S 7/1999 Rosen
- 5,918,841 A 7/1999 Sweere et al.
- 5,947,429 A 9/1999 Sweere et al.
- 5,992,809 A 11/1999 Sweere et al.
- 6,012,693 A 1/2000 Voeller et al.
- 6,015,120 A 1/2000 Sweere et al.
- 6,042,068 A 3/2000 Tcherny
- 6,068,227 A 5/2000 Morgan et al.
- 6,102,348 A 8/2000 O'Neill
- 6,126,128 A 10/2000 Costa et al.
- D435,852 S 1/2001 Oddsen, Jr.
- D440,863 S 4/2001 Worrall
- 6,367,756 B1 4/2002 Wang
- 6,378,830 B1 4/2002 Lu

* cited by examiner

Primary Examiner—Ruth McInroy
Assistant Examiner—Terrence Huang
(74) *Attorney, Agent, or Firm*—Kinney & Lange, P.A.

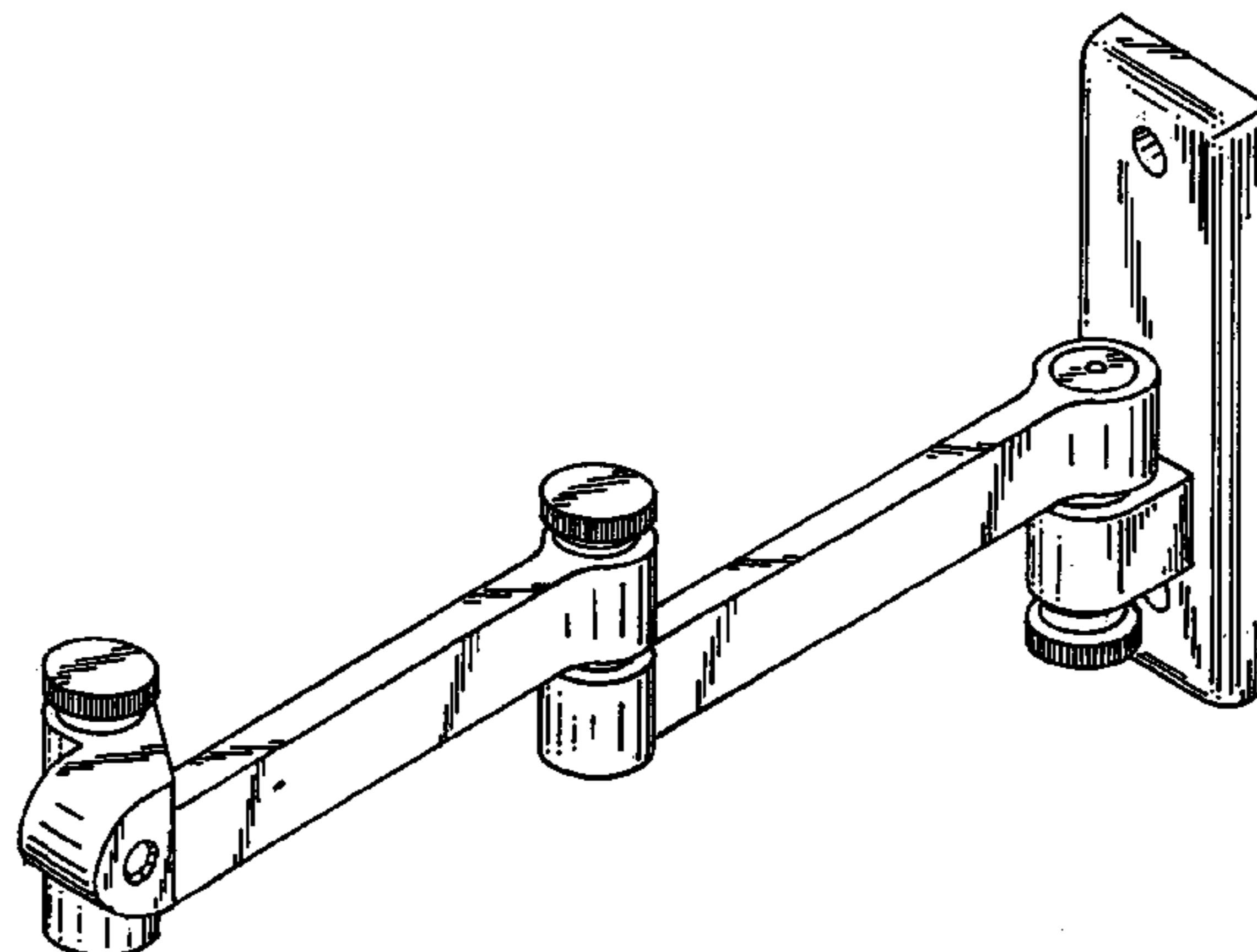
(57) **CLAIM**

The ornamental design for a display mount, as shown and described.

DESCRIPTION

FIG. 1 is a perspective view looking down at the top, right side of a display mount showing my new design;
FIG. 2 is a top view thereof;
FIG. 3 is a right side view thereof;
FIG. 4 is a left side view thereof;
FIG. 5 is a front view thereof;
FIG. 6 is a back view thereof; and,
FIG. 7 is a bottom view thereof.

1 Claim, 6 Drawing Sheets



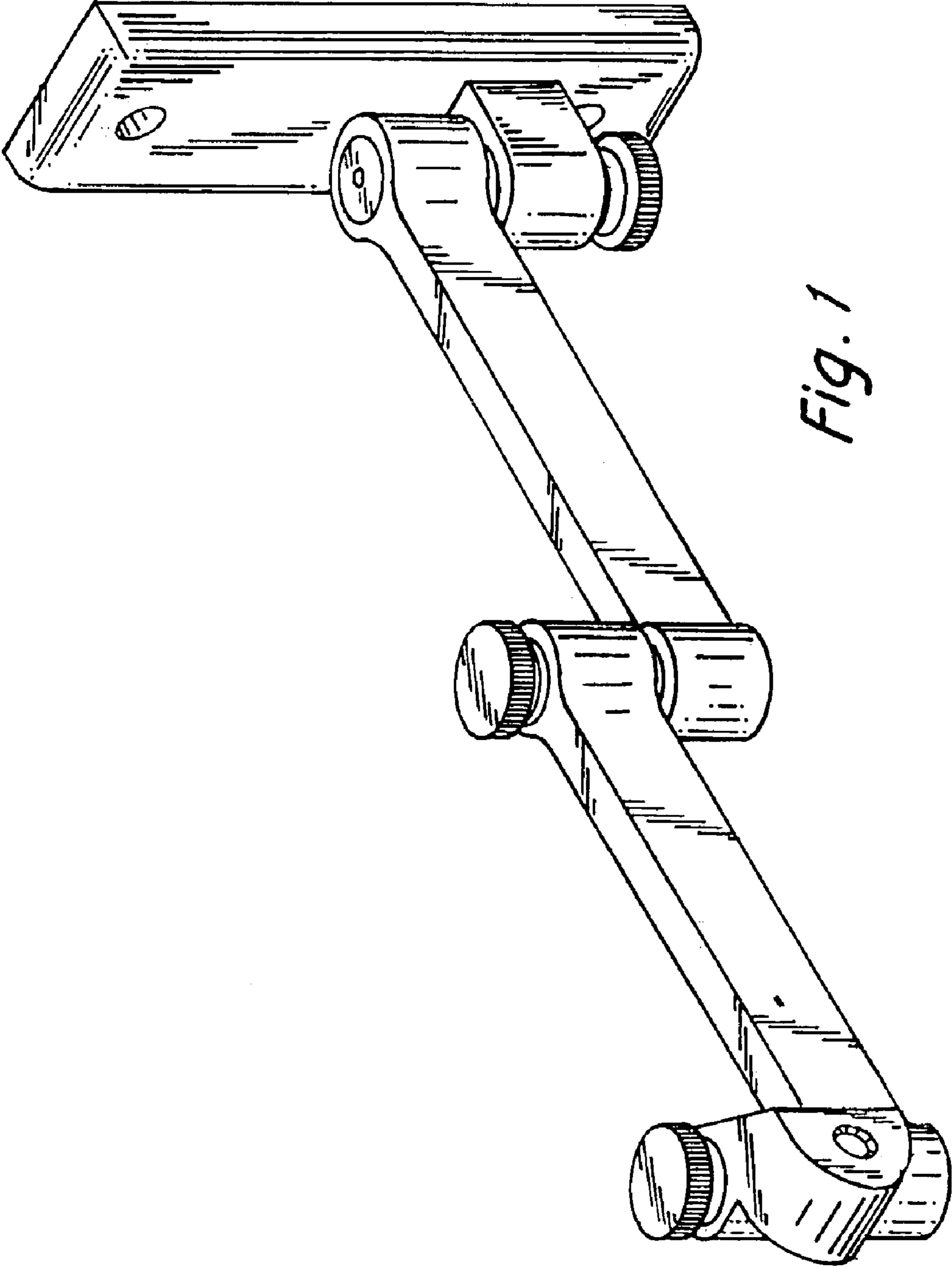


Fig. 1

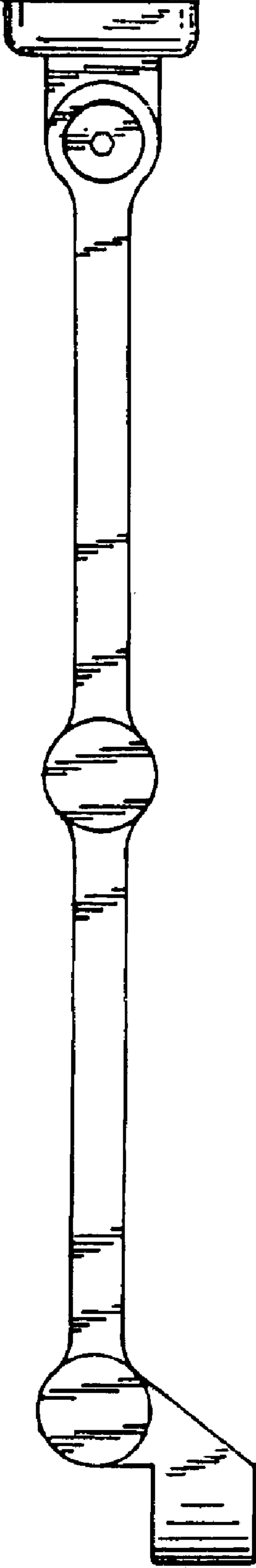


Fig. 2

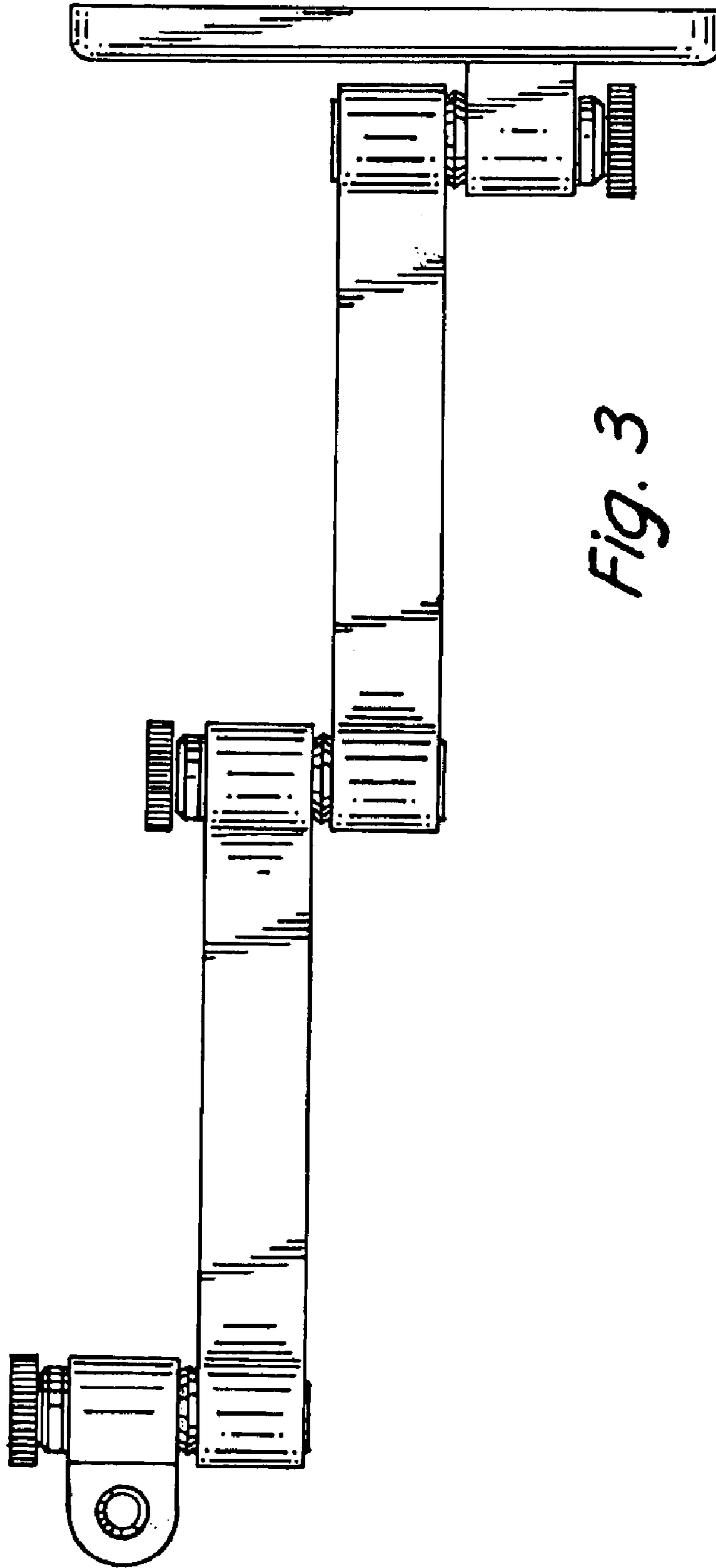


Fig. 3

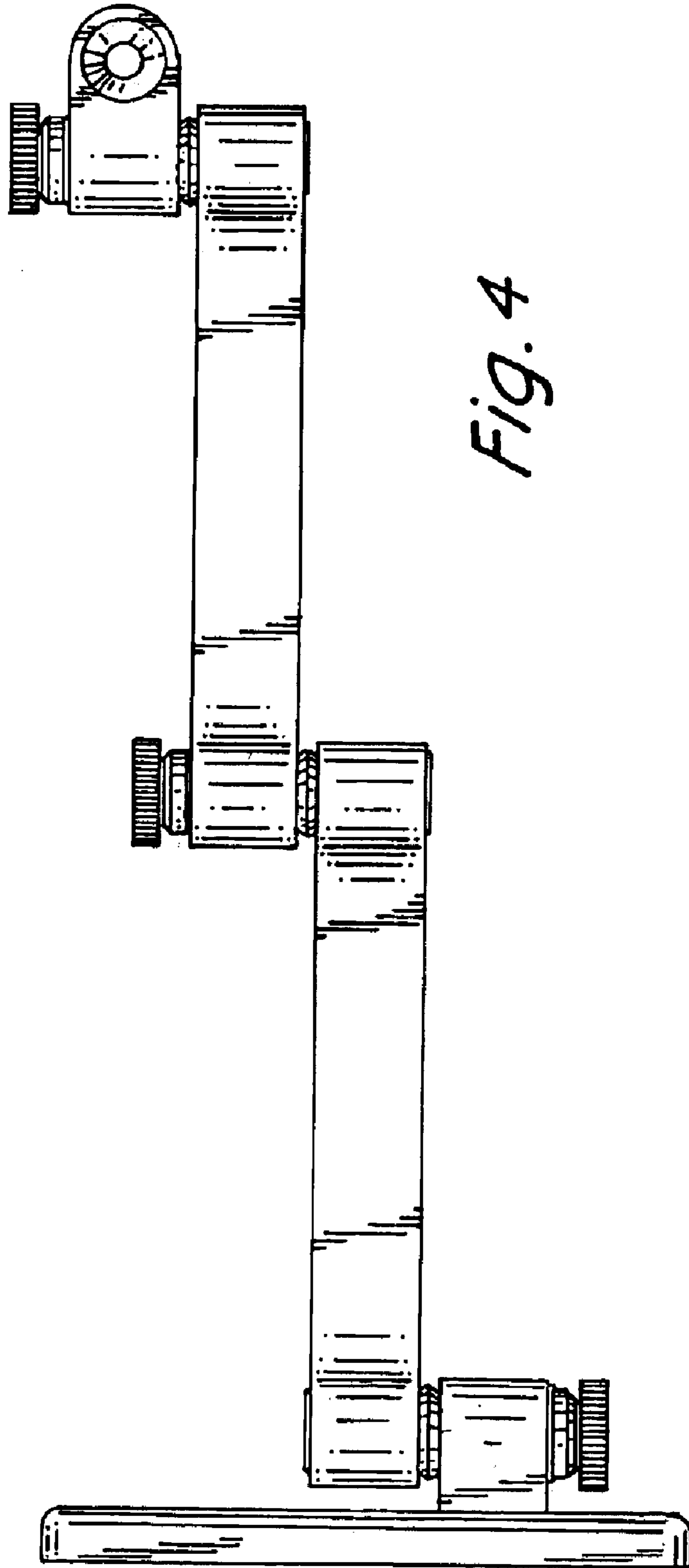


Fig. 4

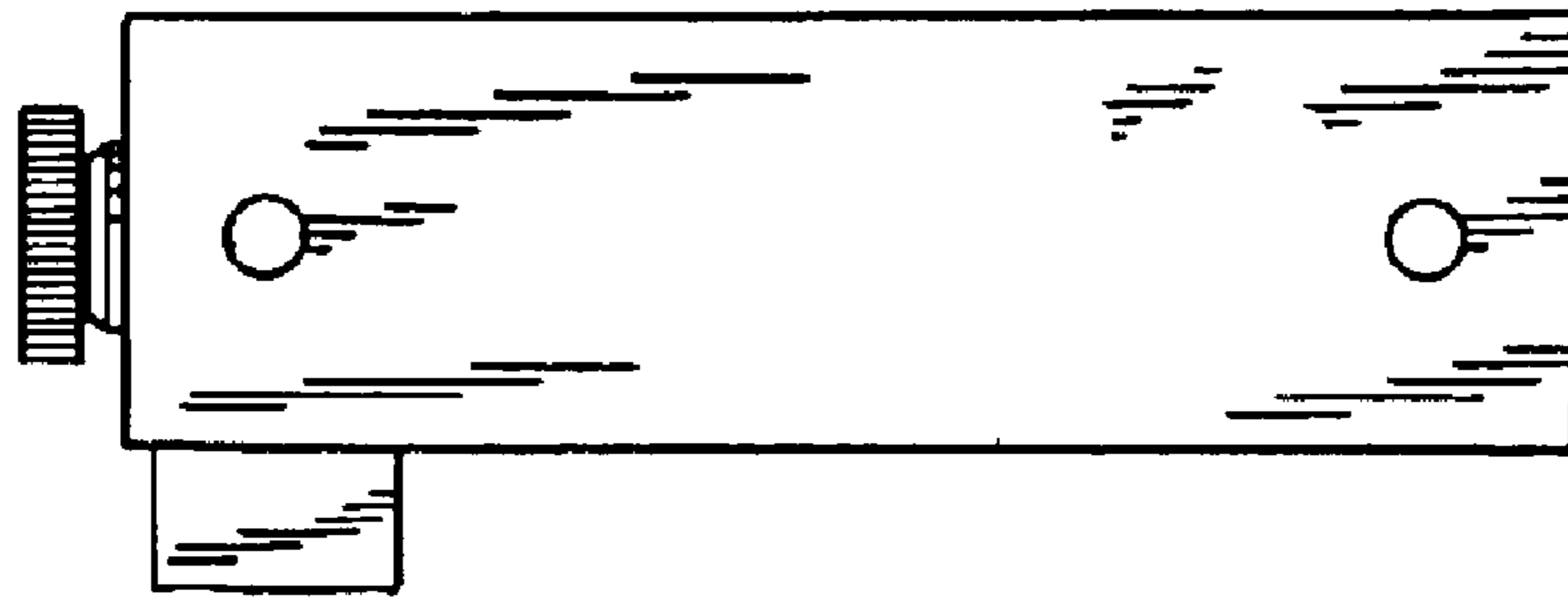


Fig. 6

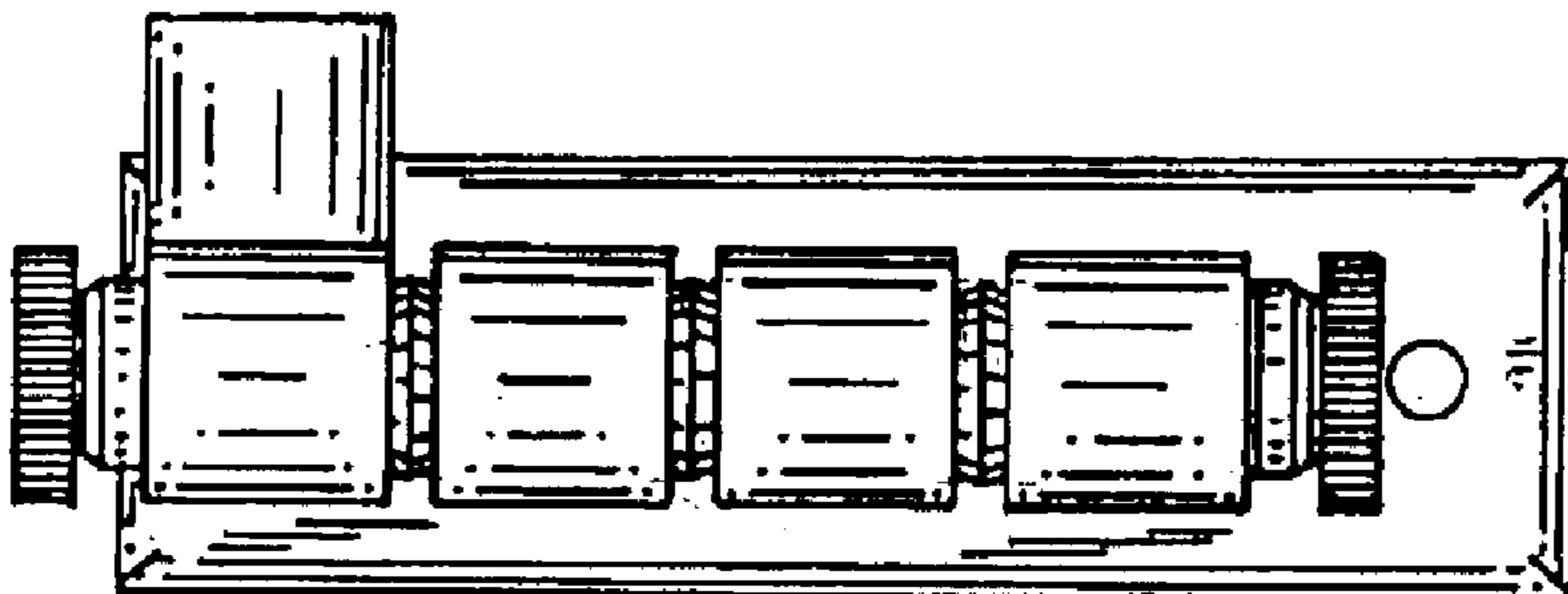


Fig. 5

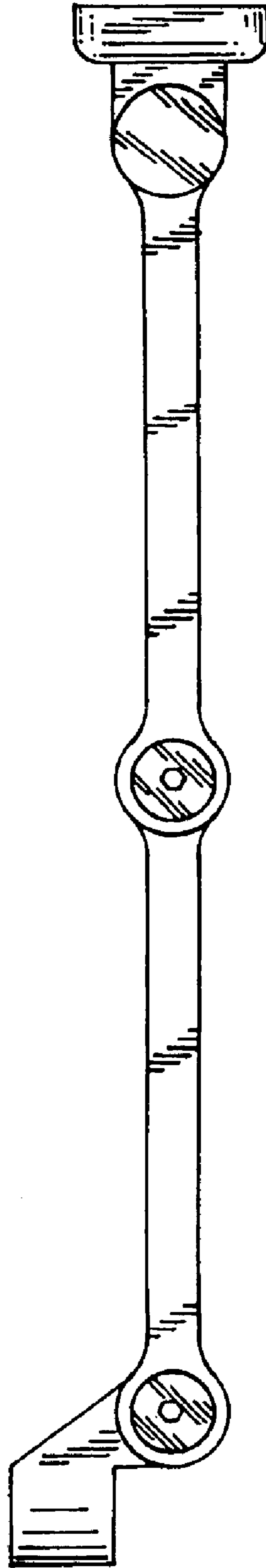


Fig. 7