



(12) **United States Design Patent**
Huyghe

(10) **Patent No.:** **US D821,624 S**
(45) **Date of Patent:** **** Jun. 26, 2018**

(54) **LUMINAIRE**

(56) **References Cited**

(71) Applicant: **PHILIPS LIGHTING HOLDING**
B.V., Eindhoven (NL)

U.S. PATENT DOCUMENTS

(72) Inventor: **Jeffrey Huyghe**, Heule (BE)

D751,746 S *	3/2016	Hoang	D26/63
D753,328 S *	4/2016	Mathews	D26/63
D771,296 S *	11/2016	Duckworth	D26/63
D773,091 S *	11/2016	Nouvel	D26/63
D775,754 S *	1/2017	Jepson	D26/63
D779,098 S *	2/2017	Tsai	D26/63
D787,730 S *	5/2017	Gines	D26/63
D788,344 S *	5/2017	Gecchelin	D26/63
D795,478 S *	8/2017	Goetz-Schaefer	D26/63
D795,479 S *	8/2017	Goetz-Schaefer	D26/63

(73) Assignee: **PHILIPS LIGHTING HOLDING**
B.V., Eindhoven (NL)

(**) Term: **15 Years**

* cited by examiner

(21) Appl. No.: **35/501,520**

(22) Filed: **Aug. 24, 2016**

Primary Examiner — Zenia Bennett

(80) **Hague Agreement Data**

Int. Filing Date: **Aug. 24, 2016**
Int. Reg. No.: **DM/092244**
Int. Reg. Date: **Aug. 24, 2016**
Int. Reg. Pub. Date: **Sep. 9, 2016**

(57) **CLAIM**

The ornamental design for the luminaire, as shown and described.

(30) **Foreign Application Priority Data**

Feb. 25, 2016 (EM) 003002195-0001

(51) **LOC (11) Cl.** **26-05**

(52) **U.S. Cl.** **D26/63**
USPC

(58) **Field of Classification Search**

USPC D26/1, 24, 61, 65, 85, 92
CPC F21V 21/14; F21V 15/01; F21V 14/02;
F21V 21/30; F21V 21/00; F21V 14/00;
F21S 8/00; F21S 8/003; F21S 8/043;
F21Y 2105/001

DESCRIPTION

1. Luminaire

1.1 is a bottom perspective view showing my design;

1.2 is a front elevational view thereof;

1.3 is a rear elevational view thereof;

1.4 is a right side elevational view thereof;

1.5 is a left side elevational view thereof;

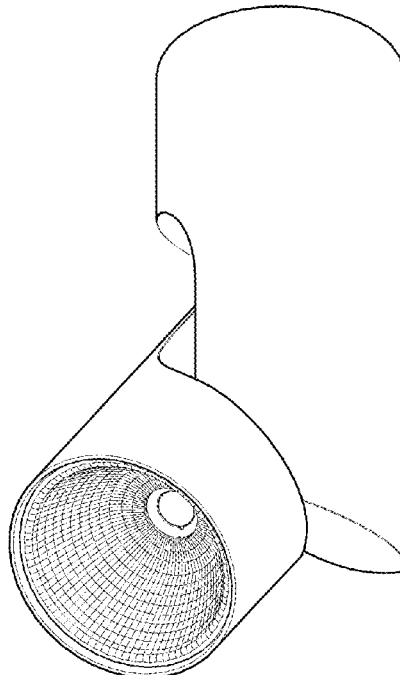
1.6 is a top plan view thereof;

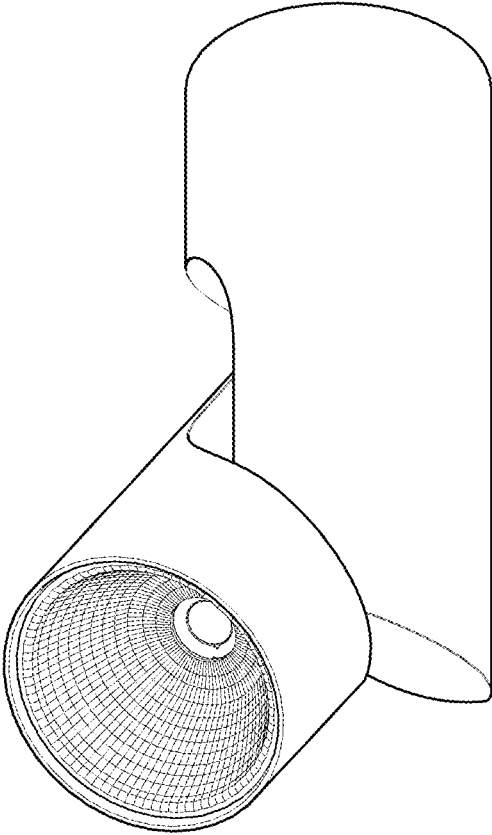
1.7 is a bottom plan view thereof.

The broken lines depicting features of the top of the luminaire are for environmental purposes only and form no part of the claimed design.

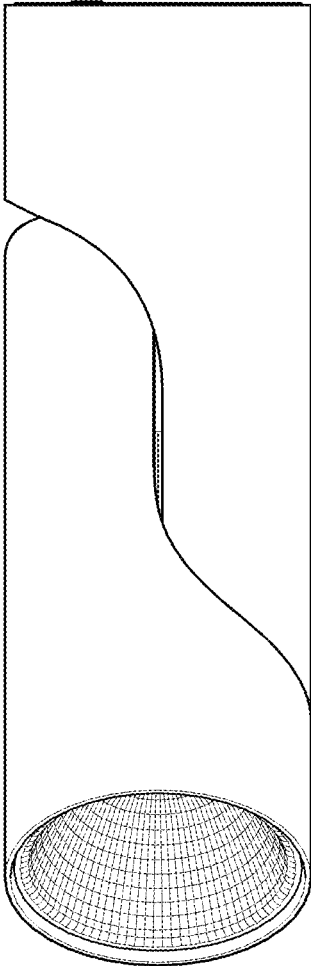
See application file for complete search history.

1 Claim, 5 Drawing Sheets

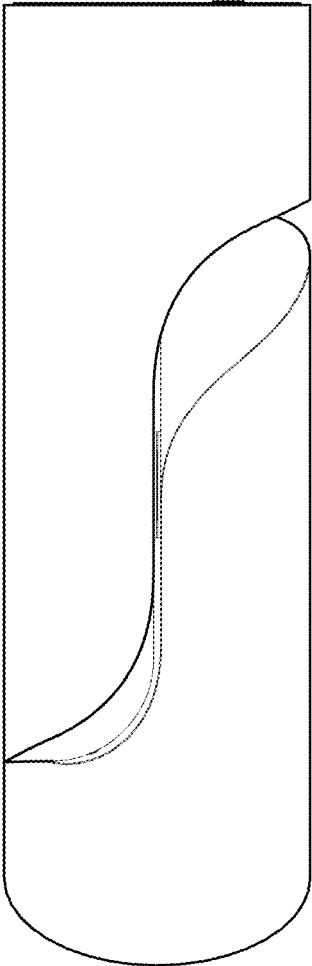




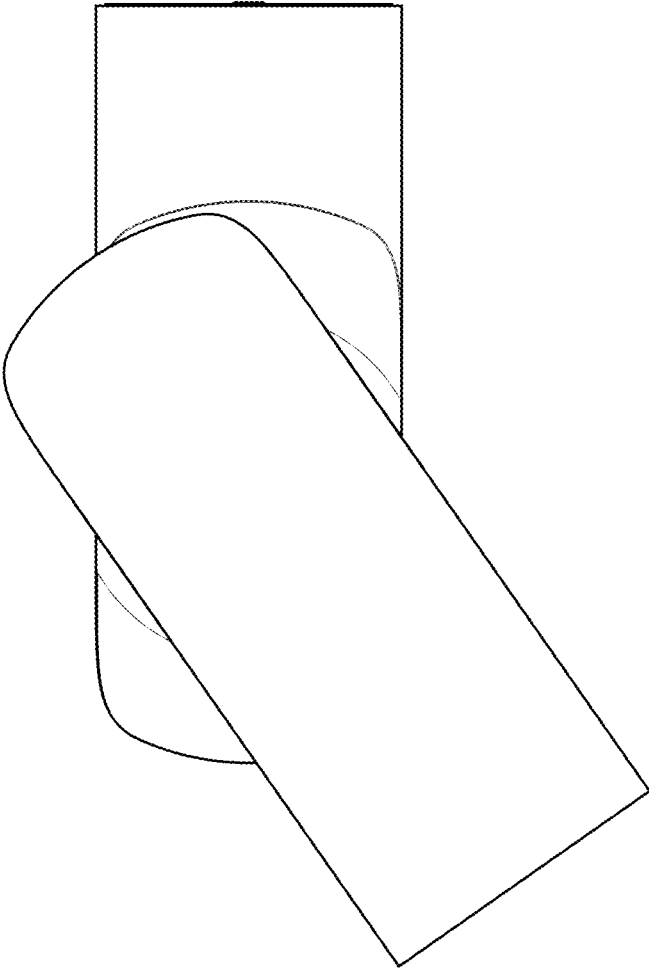
1.1



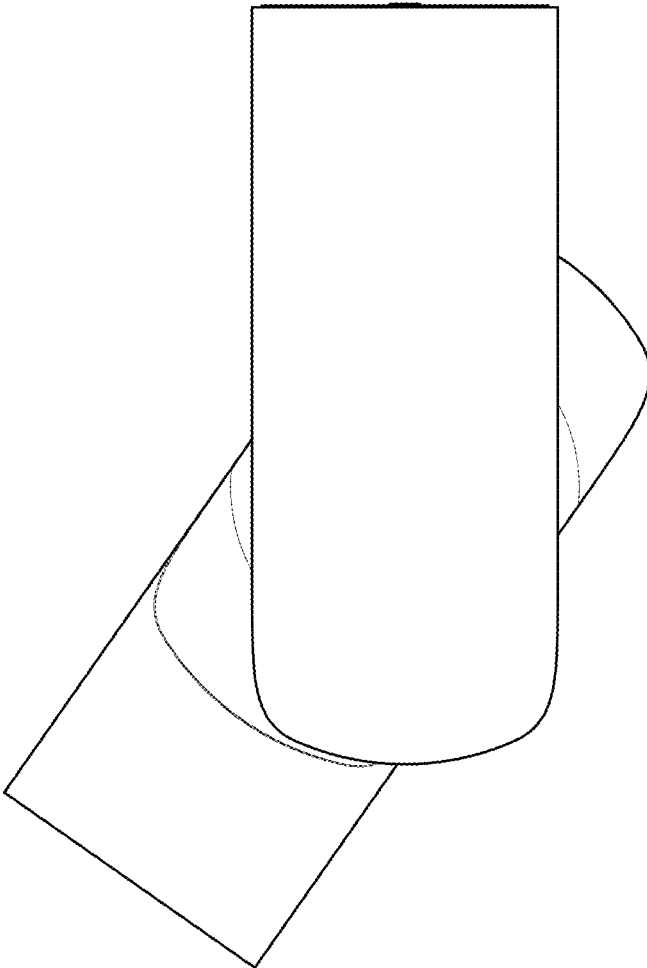
1.2



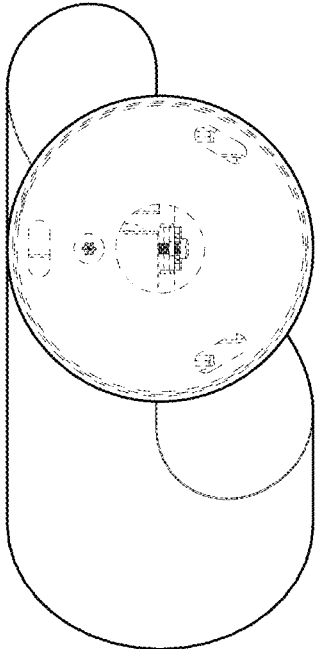
1.3



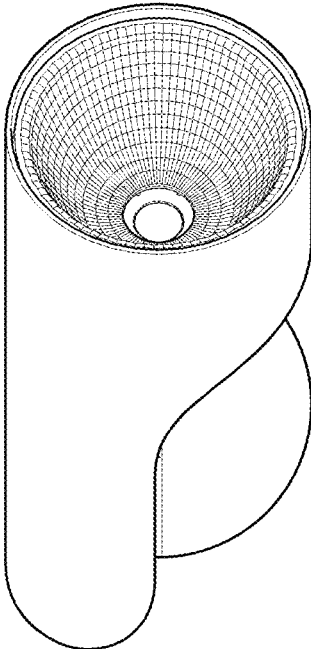
1.4



1.5



1.6



1.7