

(12) **UK Patent Application** (19) **GB** (11) **2467057** (13) **A**

(43) Date of Reproduction by UK Office **21.07.2010**

(21) Application No: **1004627.4**  
(22) Date of Filing: **23.10.2008**  
(30) Priority Data:  
(31) **0720679** (32) **23.10.2007** (33) **GB**  
(86) International Application Data:  
**PCT/GB2008/003585 En 23.10.2008**  
(87) International Publication Data:  
**WO2009/053693 En 30.04.2009**

(51) INT CL:  
**B65D 43/16** (2006.01) **A61B 19/02** (2006.01)  
**A61M 5/32** (2006.01) **B65D 55/02** (2006.01)  
(56) Documents Cited by ISA:  
**EP 0312513 A** **WO 2007/065240 A**  
**WO 2006/024656 A** **WO 1996/025966 A**  
**US 4293079 A** **US 20040226853 A1**  
(58) Field of Search by ISA:  
INT CL **A61M, B65D**

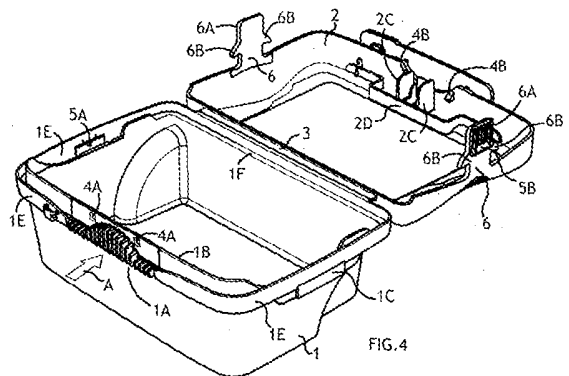
(71) Applicant(s):  
**MeadWestvaco Corporation**  
**(Incorporated in USA - Delaware)**  
**501 South 5th Street, Richmond,**  
**Virginia 23219-0501, United States of America**

(72) Inventor(s):  
**Stephen Sams**

(74) Agent and/or Address for Service:  
**Coulson and Associates**  
**1st Floor Suite, 5 Newbold Road, Rugby, CV21 2LQ,**  
**United Kingdom**

(54) Title of the Invention: **Closure for a container**  
Abstract Title: **Closure for a container**

(57) A closure for a container, the closure having a base portion (1) which defines an opening and a lid portion (2) which is moveable away from and towards the opening to open and close the container, a first fastener (4A, 4B) for releasably securing the lid and base portions (1, 2) together in a closed position, and second fasteners (5A, 6B) for irreversibly securing the lid and base portions (1, 2) in a closed position prior to disposal of the container so the closure cannot be re-opened without substantial change thereto.



GB 2467057 A