



US00D980015S

(12) **United States Design Patent**  
**Joseph**

(10) **Patent No.:** **US D980,015 S**

(45) **Date of Patent:** **\*\* Mar. 7, 2023**

- (54) **TURNTABLE**
- (71) Applicant: **JOSEPH JOSEPH, LTD.**, London (GB)
- (72) Inventor: **Antony Joseph**, London (GB)
- (73) Assignee: **JOSEPH JOSEPH, LTD.**, London (GB)
- (\*\*) Term: **15 Years**
- (21) Appl. No.: **29/767,234**
- (22) Filed: **Jan. 21, 2021**
- (30) **Foreign Application Priority Data**  
Jul. 22, 2020 (EM) ..... 008050132
- (51) **LOC (14) CL.** ..... **07-01**
- (52) **U.S. CL.**  
USPC ..... **D7/501; D6/705.1**
- (58) **Field of Classification Search**  
USPC ..... D7/500, 501, 550.1, 553.6, 554.2, 555, 556, 557, 558, 559, 600.1, 600.2, 600.4, 601, 701, 702, 703, 704, 705, 706, 707, 708, 709, 710, 711, 712, 713, 714, 715, 716, 717, 718, 719, 720, 721, 722, 723, 724, 725, 726, 727, 728, 729, 730, 731, 732, 733, 734, 735, 736, 737, 738, 739, 740, 741, 742, 743, 744, 745, 746, 747, 748, 749, 750, 751, 752, 753, 754, 755, 756, 757, 758, 759, 760, 761, 762, 763, 764, 765, 766, 767, 768, 769, 770, 771, 772, 773, 774, 775, 776, 777, 778, 779, 780, 781, 782, 783, 784, 785, 786, 787, 788, 789, 790, 791, 792, 793, 794, 795, 796, 797, 798, 799, 800, 801, 802, 803, 804, 805, 806, 807, 808, 809, 810, 811, 812, 813, 814, 815, 816, 817, 818, 819, 820, 821, 822, 823, 824, 825, 826, 827, 828, 829, 830, 831, 832, 833, 834, 835, 836, 837, 838, 839, 840, 841, 842, 843, 844, 845, 846, 847, 848, 849, 850, 851, 852, 853, 854, 855, 856, 857, 858, 859, 860, 861, 862, 863, 864, 865, 866, 867, 868, 869, 870, 871, 872, 873, 874, 875, 876, 877, 878, 879, 880, 881, 882, 883, 884, 885, 886, 887, 888, 889, 890, 891, 892, 893, 894, 895, 896, 897, 898, 899, 900, 901, 902, 903, 904, 905, 906, 907, 908, 909, 910, 911, 912, 913, 914, 915, 916, 917, 918, 919, 920, 921, 922, 923, 924, 925, 926, 927, 928, 929, 930, 931, 932, 933, 934, 935, 936, 937, 938, 939, 940, 941, 942, 943, 944, 945, 946, 947, 948, 949, 950, 951, 952, 953, 954, 955, 956, 957, 958, 959, 960, 961, 962, 963, 964, 965, 966, 967, 968, 969, 970, 971, 972, 973, 974, 975, 976, 977, 978, 979, 980, 981, 982, 983, 984, 985, 986, 987, 988, 989, 990, 991, 992, 993, 994, 995, 996, 997, 998, 999, 1000  
CPC ... A47B 49/00; A47B 49/004; A47B 2200/02; A47F 5/02; A47G 23/08  
See application file for complete search history.

D889,173 S *	7/2020	Clayton	.....	D6/705.1
D925,305 S *	7/2021	Istrate	.....	D7/701
D939,276 S *	12/2021	Greenwood	.....	D7/501
D939,277 S *	12/2021	Greenwood	.....	D7/501
D941,633 S *	1/2022	Ghiorghie	.....	A47J 39/006
				D6/677
D951,710 S *	5/2022	Luo	.....	D7/501
2003/0015446 A1 *	1/2003	Talbot	.....	A47F 5/02
				206/373

**OTHER PUBLICATIONS**

Joseph Joseph CupboardStore Rotating Organizer, Amazon, [online], [site visited Oct. 25, 2022], Available from internet URL: <https://www.amazon.com/Joseph-CupboardStore-Rotating-Organizer-Small/dp/B08QH4Z8ZM> (Year: 2022).\*

\* cited by examiner

*Primary Examiner* — Mary Ann Calabrese  
*Assistant Examiner* — Natalya M Rapundalo  
(74) *Attorney, Agent, or Firm* — Millen, White, Zelano & Branigan, PC; Ryan Pool

(57) **CLAIM**

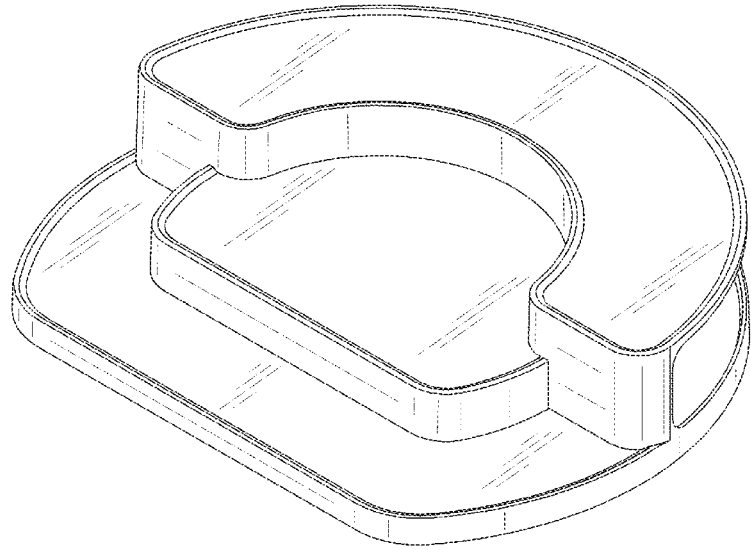
The ornamental design for a turntable, as shown and described.

**DESCRIPTION**

FIG. 1 is a front view of the turntable showing my new design.  
FIG. 2 is a back view thereof.  
FIG. 3 is a left side view thereof.  
FIG. 4 is a right side view thereof.  
FIG. 5 is top view thereof.  
FIG. 6 is a bottom view thereof.  
FIG. 7 is a top perspective view thereof; and,  
FIG. 8 is a bottom perspective view thereof.  
The broken lines in the drawings illustrate portions of the turntable which form no part of the claimed design.

**1 Claim, 8 Drawing Sheets**

- (56) **References Cited**  
**U.S. PATENT DOCUMENTS**  
D297,897 S \* 10/1988 Stackhouse ..... D6/677  
D336,219 S \* 6/1993 Held ..... D7/590  
D398,078 S \* 9/1998 Hsu ..... D19/75  
D444,999 S \* 7/2001 Govrik ..... D7/553.6  
D617,146 S \* 6/2010 Harrison ..... D7/501  
9,635,980 B2 \* 5/2017 Butler ..... A47J 39/006  
D802,370 S \* 11/2017 Tsai ..... D7/600.4  
D868,511 S \* 12/2019 McBride ..... D6/677.1  
D888,476 S \* 6/2020 Clayton ..... D6/705.1



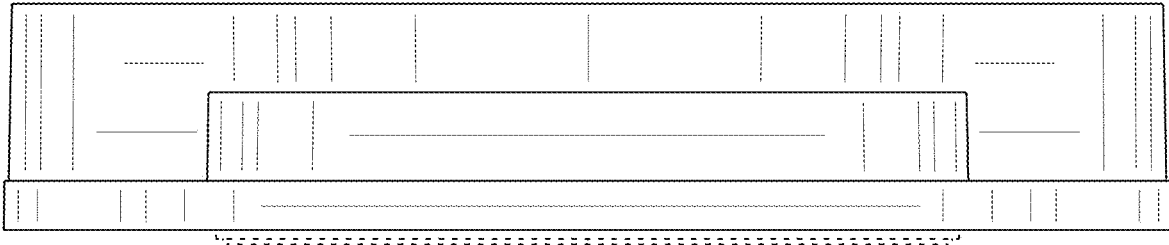


FIG. 1

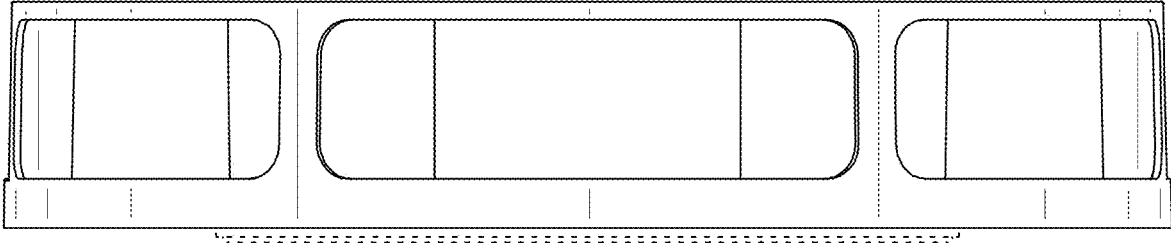


FIG. 2

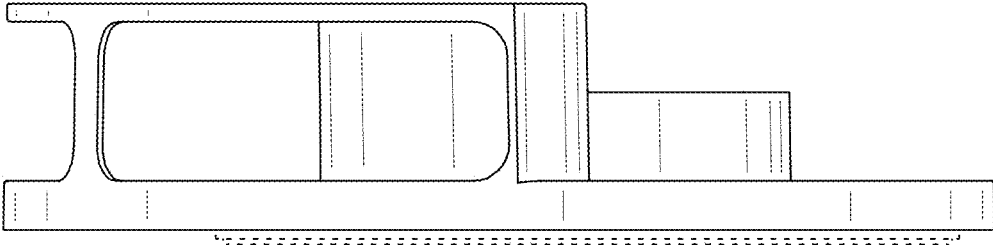


FIG. 3

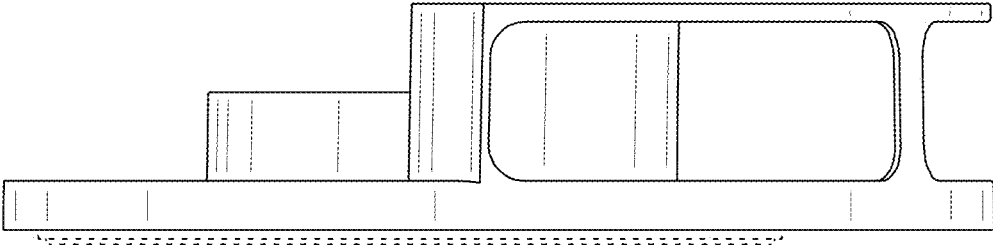


FIG. 4

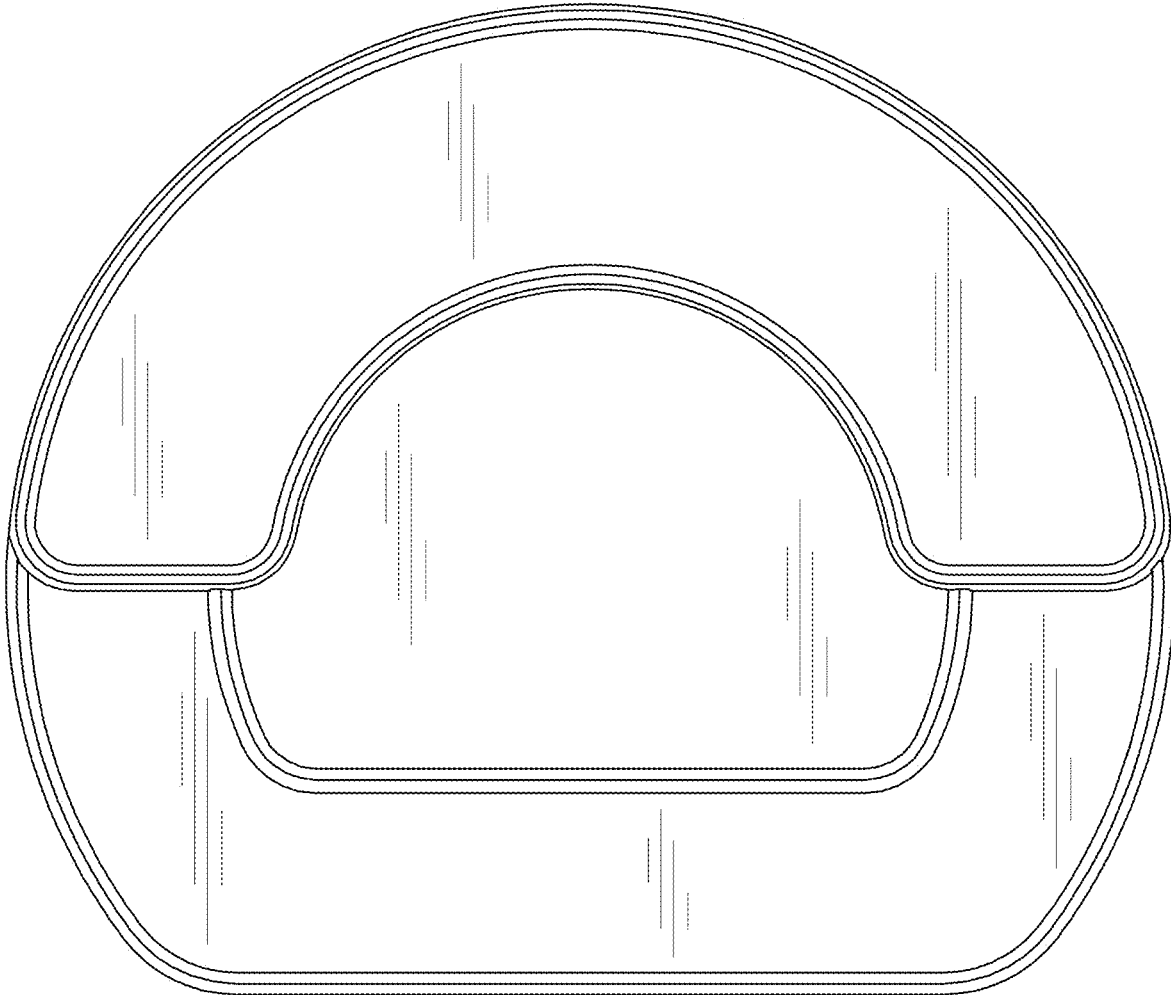


FIG. 5

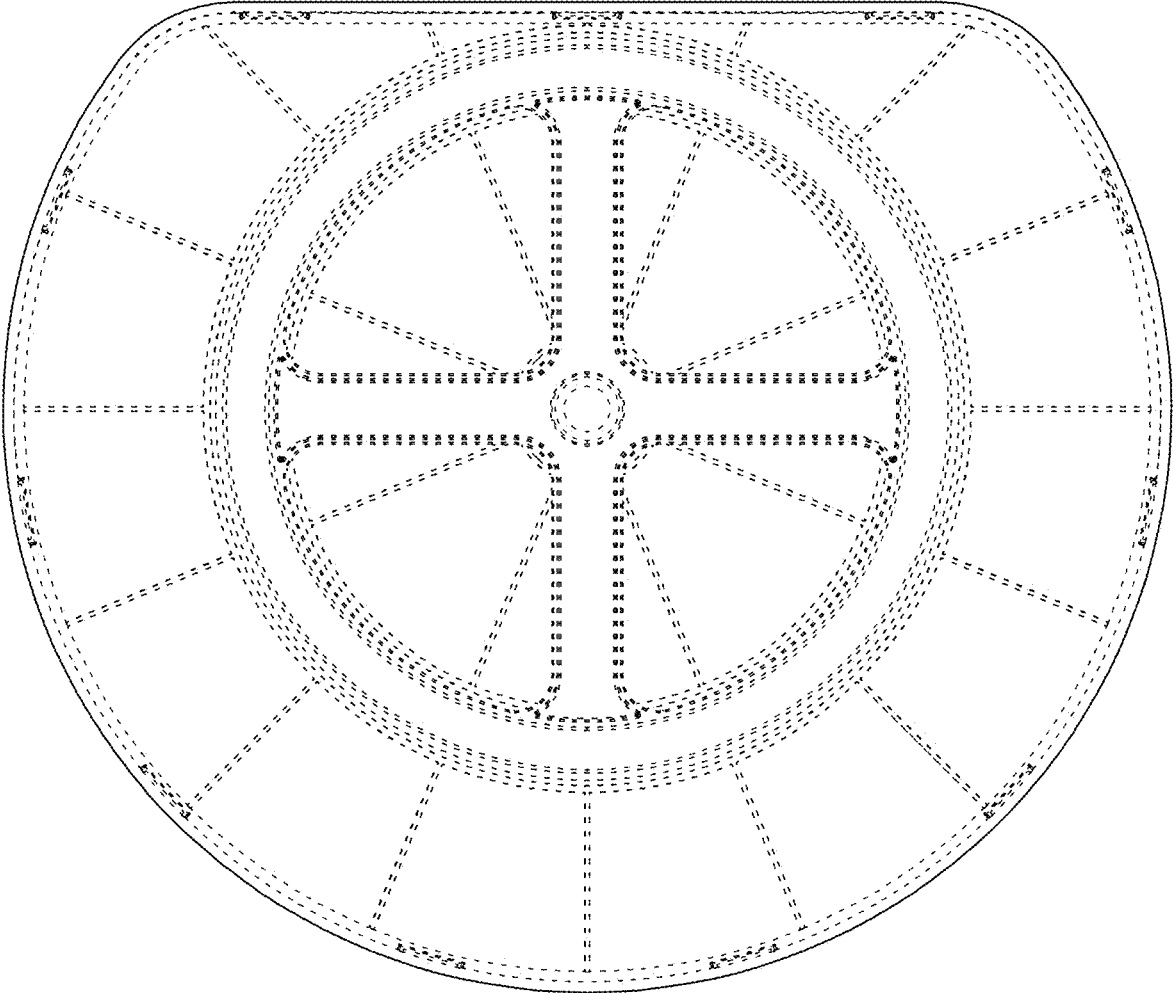


FIG. 6

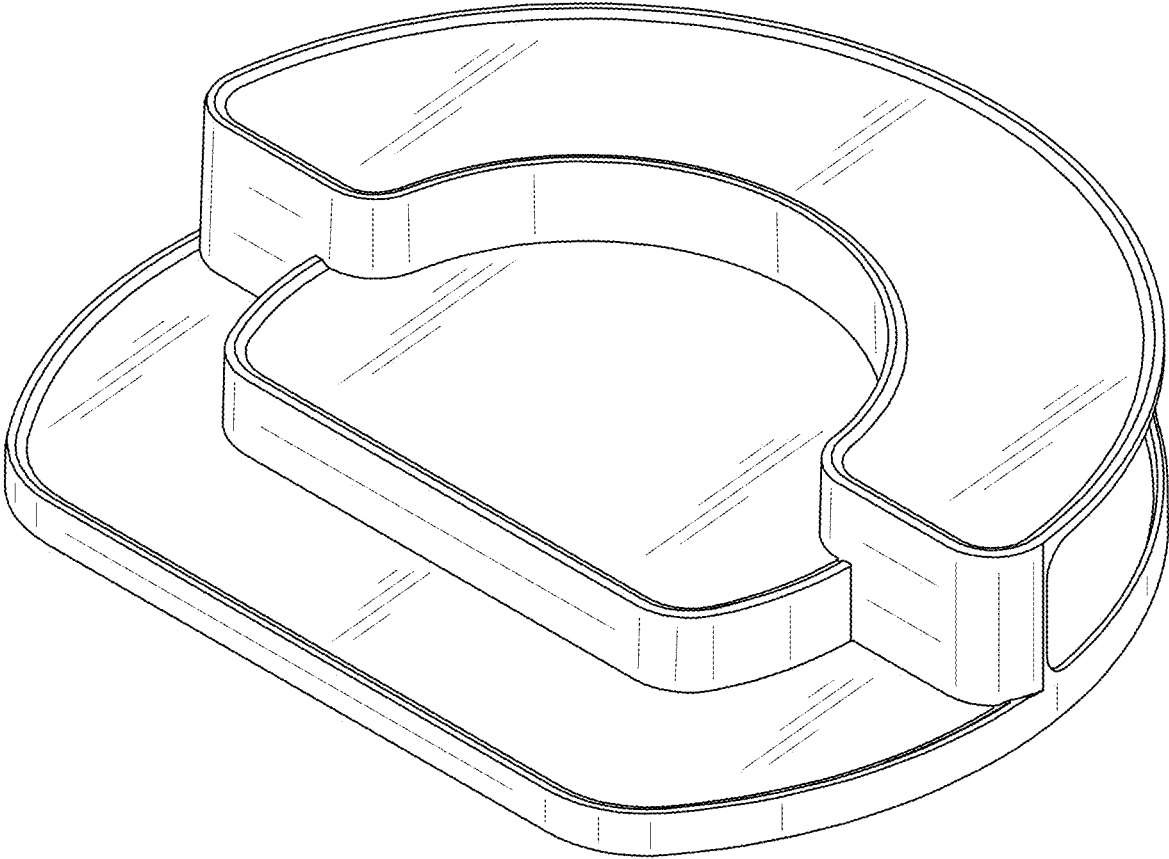


FIG. 7



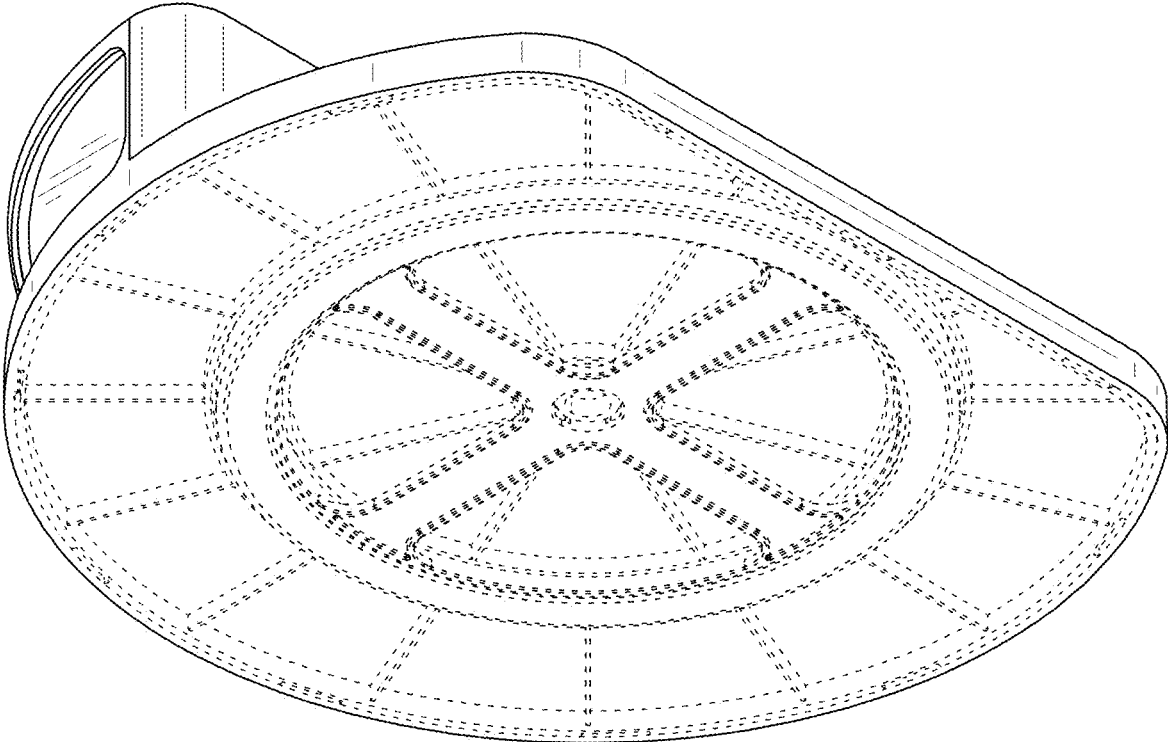


FIG. 8