

(19) World Intellectual Property Organization
International Bureau



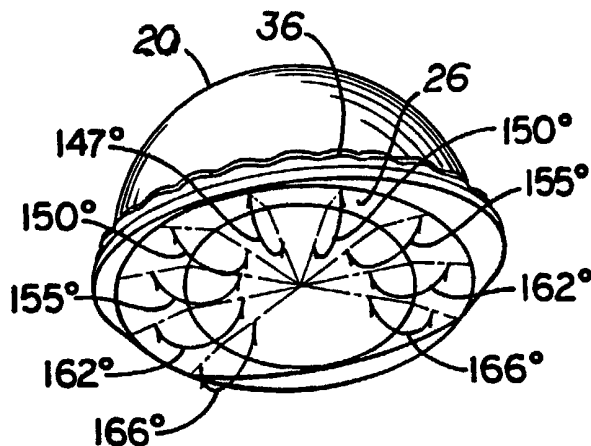
(43) International Publication Date
20 September 2001 (20.09.2001)

PCT

(10) International Publication Number
WO 01/67999 A3

- (51) International Patent Classification⁷: A61F 2/34
- (21) International Application Number: PCT/US01/08221
- (22) International Filing Date: 14 March 2001 (14.03.2001)
- (25) Filing Language: English
- (26) Publication Language: English
- (30) Priority Data:
60/189,182 14 March 2000 (14.03.2000) US
- (71) Applicant: SMITH & NEPHEW, INC. [US/US]; 1450 Brooks Road, Memphis, TN 38116 (US).
- (72) Inventor: MC KINNON, Brian, W.; 3290 Broadway Street, Bartlett, TN 38133 (US).
- (74) Agent: CHIEF PATENT COUNSEL; Smith & Nephew, Inc., 1450 Brooks Road, Memphis, TN 38116 (US).
- (81) Designated States (*national*): AE, AG, AL, AM, AT, AU, AZ, BA, BB, BG, BR, BY, BZ, CA, CH, CN, CO, CR, CU, CZ, DE, DK, DM, DZ, EE, ES, FI, GB, GD, GE, GH, GM, HR, HU, ID, IL, IN, IS, JP, KE, KG, KP, KR, KZ, LC, LK, LR, LS, LT, LU, LV, MA, MD, MG, MK, MN, MW, MX, MZ, NO, NZ, PL, PT, RO, RU, SD, SE, SG, SI, SK, SL, TJ, TM, TR, TT, TZ, UA, UG, UZ, VN, YU, ZA, ZW.
- (84) Designated States (*regional*): ARIPO patent (GH, GM, KE, LS, MW, MZ, SD, SL, SZ, TZ, UG, ZW), Eurasian patent (AM, AZ, BY, KG, KZ, MD, RU, TJ, TM), European patent (AT, BE, CH, CY, DE, DK, ES, FI, FR, GB, GR, IE, IT, LU, MC, NL, PT, SE, TR), OAPI patent (BF, BJ, CF, CG, CI, CM, GA, GN, GW, ML, MR, NE, SN, TD, TG).
- Published:
— with international search report
- (88) Date of publication of the international search report:
21 March 2002
- For two-letter codes and other abbreviations, refer to the "Guidance Notes on Codes and Abbreviations" appearing at the beginning of each regular issue of the PCT Gazette.*

(54) Title: VARIABLE GEOMETRY RIM SURFACE ACETABULAR SHELL LINER



(57) Abstract: An acetabular shell liner (20) having a variable rim surface geometry (26), which improves range of motion of the femoral component within the liner and decreases the incidence of dislocation and subluxation, and methods of making and using the acetabular shell liner. Prosthetic devices, more particularly hip joint prostheses, containing the acetabular shell liner having a variable rim surface geometry are also provided.



WO 01/67999 A3

INTERNATIONAL SEARCH REPORT

International Application No

PCT/US 01/08221

A. CLASSIFICATION OF SUBJECT MATTER IPC 7 A61F2/34		
According to International Patent Classification (IPC) or to both national classification and IPC		
B. FIELDS SEARCHED		
Minimum documentation searched (classification system followed by classification symbols) IPC 7 A61F		
Documentation searched other than minimum documentation to the extent that such documents are included in the fields searched		
Electronic data base consulted during the international search (name of data base and, where practical, search terms used) EPO-Internal		
C. DOCUMENTS CONSIDERED TO BE RELEVANT		
Category *	Citation of document, with indication, where appropriate, of the relevant passages	Relevant to claim No.
A	US 4 795 469 A (OH INDONG) 3 January 1989 (1989-01-03) abstract; figures 8,9 ---	1-49
A	EP 0 901 777 A (JOHNSON & JOHNSON MEDICAL LTD) 17 March 1999 (1999-03-17) the whole document ---	1-49
A	US 5 800 555 A (GRAY III FREDERICK C) 1 September 1998 (1998-09-01) the whole document ---	1-49
A	US 4 437 193 A (OH INDONG) 20 March 1984 (1984-03-20) figure 2 ---	1-49
-/--		
<input checked="" type="checkbox"/> Further documents are listed in the continuation of box C. <input checked="" type="checkbox"/> Patent family members are listed in annex.		
* Special categories of cited documents :		
A document defining the general state of the art which is not considered to be of particular relevance *E* earlier document but published on or after the international filing date *L* document which may throw doubts on priority claim(s) or which is cited to establish the publication date of another citation or other special reason (as specified) *O* document referring to an oral disclosure, use, exhibition or other means *P* document published prior to the international filing date but later than the priority date claimed	*T* later document published after the international filing date or priority date and not in conflict with the application but cited to understand the principle or theory underlying the invention *X* document of particular relevance; the claimed invention cannot be considered novel or cannot be considered to involve an inventive step when the document is taken alone *Y* document of particular relevance; the claimed invention cannot be considered to involve an inventive step when the document is combined with one or more other such documents, such combination being obvious to a person skilled in the art. *&* document member of the same patent family	
Date of the actual completion of the international search	Date of mailing of the international search report	
13 September 2001	24/09/2001	
Name and mailing address of the ISA	Authorized officer	
European Patent Office, P.B. 5818 Patentlaan 2 NL - 2280 HV Rijswijk Tel. (+31-70) 340-2040, Tx. 31 651 epo nl, Fax: (+31-70) 340-3016	Korth, C-F	

INTERNATIONAL SEARCH REPORT

International Application No

PCT/US 01/08221

C.(Continuation) DOCUMENTS CONSIDERED TO BE RELEVANT		
Category *	Citation of document, with indication, where appropriate, of the relevant passages	Relevant to claim No.
A	DE 44 28 407 A (KUBEIN MEESENBURG DIETMAR ;THEUSNER JOACHIM DR (DE); NAEGERL HANS) 15 February 1996 (1996-02-15) the whole document -----	1-49

INTERNATIONAL SEARCH REPORT

Information on patent family members

International Application No

PCT/US 01/08221

Patent document cited in search report	Publication date	Patent family member(s)	Publication date
US 4795469 A	03-01-1989	NONE	
EP 0901777 A	17-03-1999	AU 7880298 A CA 2245042 A JP 11169392 A	25-02-1999 15-02-1999 29-06-1999
US 5800555 A	01-09-1998	NONE	
US 4437193 A	20-03-1984	US 4623352 A US 4883490 A	18-11-1986 28-11-1989
DE 4428407 A	15-02-1996	AU 3343495 A WO 9604866 A EP 0774937 A	07-03-1996 22-02-1996 28-05-1997