



US00D838061S

(12) **United States Design Patent**  
**Wu**

(10) **Patent No.:** **US D838,061 S**

(45) **Date of Patent:** **\*\* Jan. 8, 2019**

(54) **PET HAIR BLOWING AND SUCKING NURSING MACHINE**

A45D 20/16; A45D 1/04; A45D 2001/045; F26B 21/00; F26B 21/001; F26B 21/002; F26B 21/003; F26B 21/004; F26B 21/006; F26B 3/082; F26B 13/104; F26B 13/108; F26B 19/00; F26B 19/005; F26B 9/003

(71) Applicant: **NINGBO ICLIPPER ELECTRIC APPLIANCE CO., LTD.**, Ningbo (CN)

See application file for complete search history.

(72) Inventor: **Haoze Wu**, Ningbo (CN)

(56) **References Cited**

(73) Assignee: **NINGBO ICLIPPER ELECTRIC APPLIANCE CO., LTD.**, Ningbo (CN)

U.S. PATENT DOCUMENTS

(\*\*) Term: **15 Years**

D33,500 S *	11/1900	Clark	.....	D23/225
1,316,442 A *	9/1919	Goughnour	.....	A47L 5/365
				15/327.6
1,674,515 A *	6/1928	Johnson	.....	A01M 7/0092
				222/386.5
1,763,236 A *	6/1930	Hahn, Jr.	.....	E03C 1/046
				239/310
1,908,834 A *	5/1933	Engberg	.....	A47L 9/322
				15/246.2
2,130,325 A *	9/1938	Pardee	.....	A47L 5/30
				15/179
D111,994 S *	11/1938	Ramsay	.....	D22/119

(21) Appl. No.: **29/610,494**

(22) Filed: **Jul. 12, 2017**

(51) **LOC (11) Cl.** ..... **30-99**

(52) **U.S. Cl.**  
USPC ..... **D30/158; D30/199**

(58) **Field of Classification Search**  
USPC ..... D30/158, 199; 119/606, 600, 601-605, 119/608, 609, 650, 651, 665, 668-678, 119/174, 448; D28/12-18, 25, 23, 21, D28/30, 58, 54.1, 99; D23/382, 383, D23/387, 223, 225; D32/1, 15, 16, 23, D32/24, 35; 34/202, 201, 203-232, 666, 34/241, 242, 90, 93, 114, 595, 143, 95.1, 34/95.2, 96-98, 102, 105, 108, 113, 682, 34/585, 636, 239, 523, 128, 129; 43/124-130; 392/304, 379-384, 392/400-405; 219/240-242, 774, 778, 219/200, 201, 222, 225, 226, 255, 219/257-259, 267, 268, 385, 386, 428, 219/429, 433-436, 469, 470, 537, 538, 219/552, 553; 15/327.5, 344; 415/206; 604/315; D15/5

CPC .... A01K 13/00; A01K 13/001; A01K 13/003; A61D 7/00; A61D 7/04; A61D 11/00; A45D 20/00; A45D 20/04; A45D 20/08; A45D 20/10; A45D 20/12; A45D 20/14;

(Continued)

*Primary Examiner* — Susan Moon Lee

(74) *Attorney, Agent, or Firm* — Wayne & King LLC

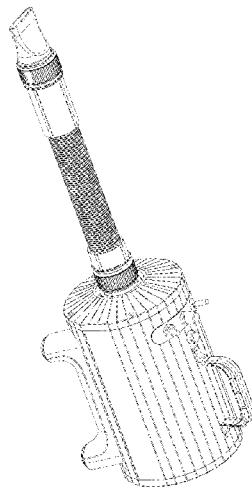
(57) **CLAIM**

The ornamental design for pet hair blowing and sucking nursing machine, as shown and described.

**DESCRIPTION**

FIG. 1 is a perspective view of my new design for a pet hair blowing and sucking nursing machine; FIG. 2 is a front view thereof; FIG. 3 is a back view thereof; FIG. 4 is a left side view thereof; FIG. 5 is a right side view thereof; FIG. 6 is a top plan view thereof; and, FIG. 7 is a bottom plan view thereof.

**1 Claim, 7 Drawing Sheets**





(56)

References Cited

U.S. PATENT DOCUMENTS

D663,814 S *	7/2012	Cassell	.....	D23/317	2008/0006217 A1 *	1/2008	Denison	.....	A01K 13/001
D670,798 S *	11/2012	Cassell	.....	D23/317					119/600
8,444,068 B2 *	5/2013	Hahn	.....	B05B 9/0426	2008/0006218 A1 *	1/2008	Denison	.....	A01K 13/001
				138/115					119/600
D692,480 S *	10/2013	Chu	.....	D19/123	2008/0006219 A1 *	1/2008	Denison	.....	A01K 13/001
D693,068 S *	11/2013	Tan	.....	D30/158					119/600
8,631,767 B1 *	1/2014	Sack	.....	A01K 13/00	2008/0006220 A1 *	1/2008	Denison	.....	A01K 13/001
				119/600					119/600
D699,379 S *	2/2014	Wu	.....	D26/38	2008/0006221 A1 *	1/2008	Denison	.....	A01K 13/001
8,948,577 B2 *	2/2015	Eberli	.....	F24H 3/0423					119/600
				392/379	2008/0006222 A1 *	1/2008	Denison	.....	A01K 13/001
D728,087 S *	4/2015	Zan	.....	D23/323					119/600
D743,015 S *	11/2015	Arnold	.....	D23/317	2010/0008655 A1 *	1/2010	Tackitt	.....	F24H 3/0423
D743,016 S *	11/2015	Arnold	.....	D23/317					392/385
D743,074 S *	11/2015	Hwang	.....	D26/38	2010/0031707 A1 *	2/2010	Krebs	.....	D06F 75/12
D792,662 S *	7/2017	Chen	.....	D30/158					68/222
D809,100 S *	1/2018	Hong	.....	D23/225	2010/0085738 A1 *	4/2010	Bertken	.....	F21L 4/02
2006/0068622 A1 *	3/2006	Gisler-Reinhard	...	F24H 9/1863					362/157
				439/108	2011/0268429 A1 *	11/2011	Vandrak	.....	F24H 3/0488
2008/0006215 A1 *	1/2008	Denison	.....	A01K 13/001					392/365
				119/600	2012/0031347 A1 *	2/2012	Denison	.....	A01K 13/001
2008/0006216 A1 *	1/2008	Denison	.....	A01K 13/001					119/606
				119/600	2017/0049076 A1 *	2/2017	Takla	.....	A01K 13/001

\* cited by examiner

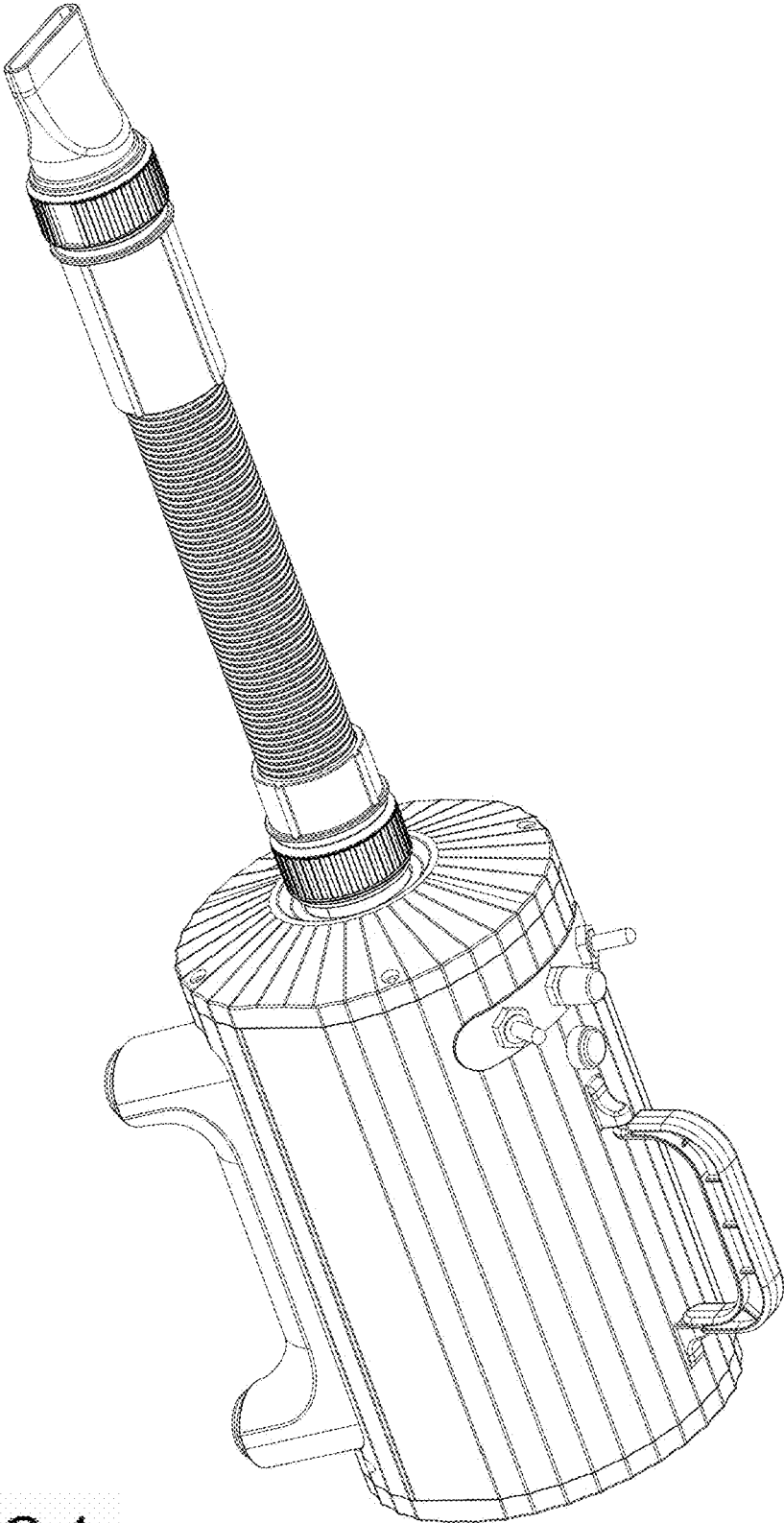


FIG.1

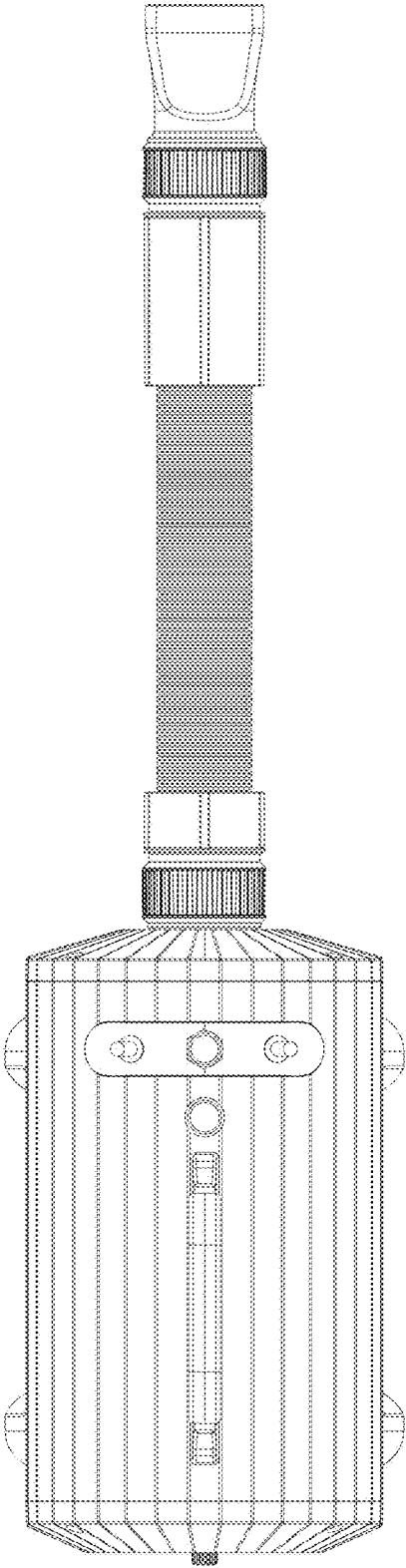


FIG.2

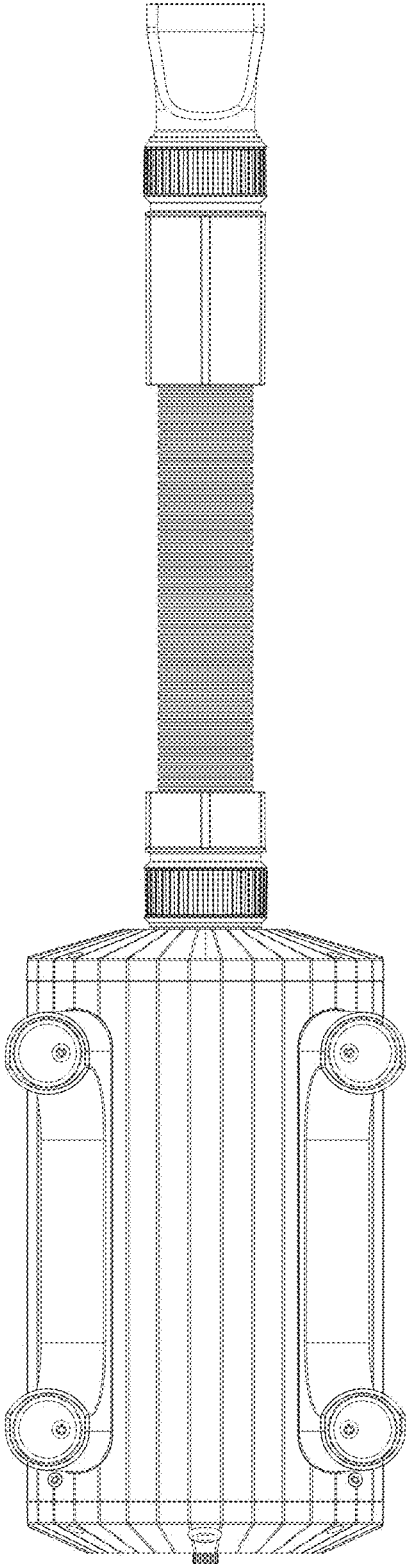


FIG.3

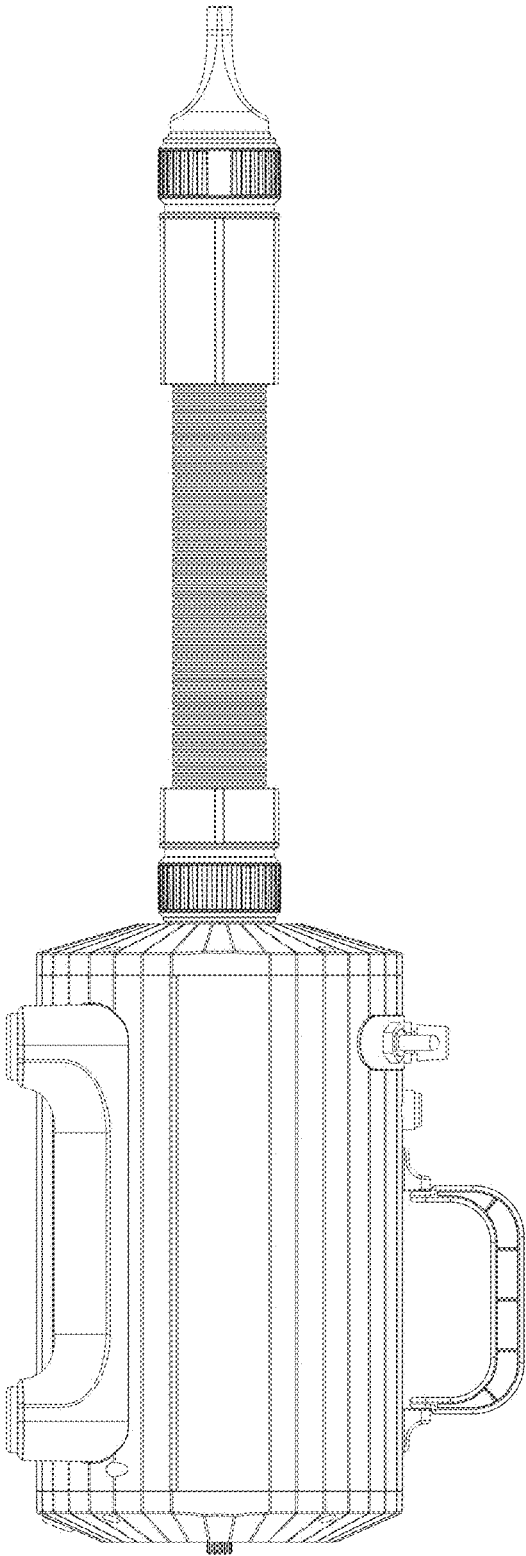


FIG. 4

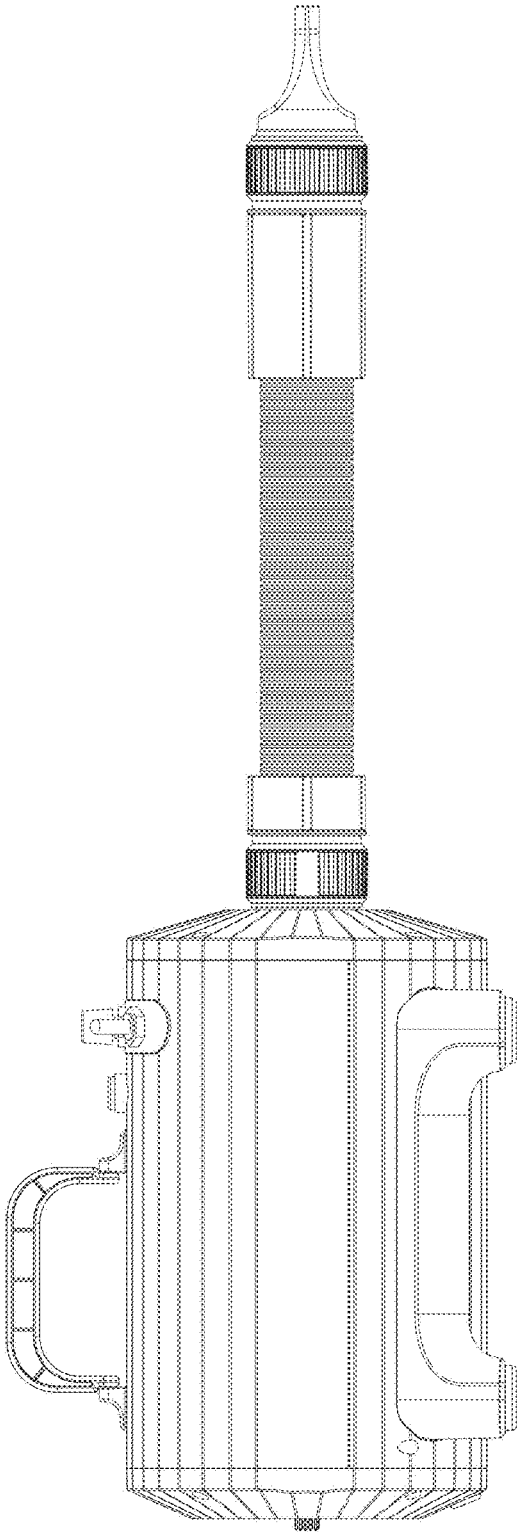


FIG.5



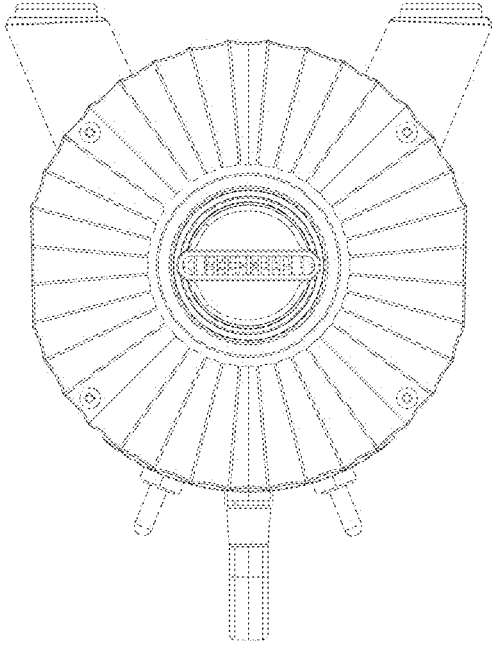


FIG.6

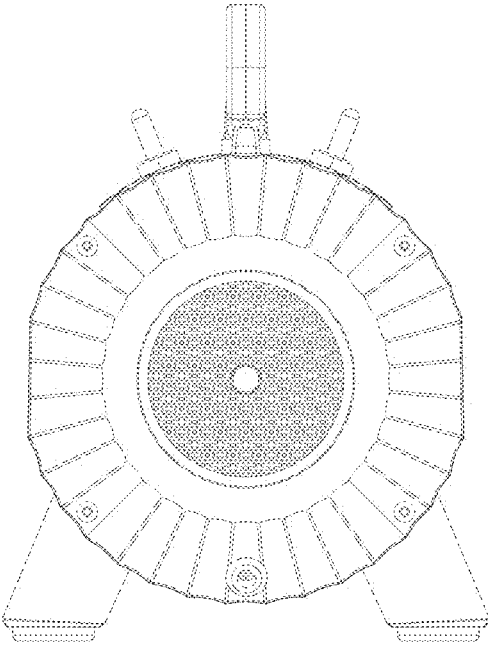


FIG.7