



US00D893415S

(12) **United States Design Patent**
McSweyn et al.

(10) **Patent No.:** **US D893,415 S**

(45) **Date of Patent:** **** Aug. 18, 2020**

- (54) **CHARGING CRADLE**
- (71) Applicant: **Scosche Industries, Inc.**, Oxnard, CA (US)
- (72) Inventors: **Christopher Michael McSweyn**, Oxnard, CA (US); **Vince Alves**, Oxnard, CA (US)
- (73) Assignee: **Scosche Industries, Inc.**, Oxnard, CA (US)
- (**) Term: **15 Years**
- (21) Appl. No.: **29/635,491**
- (22) Filed: **Jan. 31, 2018**
- (51) **LOC (12) Cl.** **13-02**
- (52) **U.S. Cl.**
USPC **D13/108**; D14/253; D12/415
- (58) **Field of Classification Search**
USPC D13/103, 107-108, 110, 118, 184, 199; D14/251, 253, 432, 434; D8/349, 363; D12/415
CPC H02J 7/02; H02J 7/0013; H02J 7/0021; H02J 7/0022; H02J 7/0026; H02J 7/0027; H02J 7/0042; H02J 7/0044; H02J 7/0045; H02J 7/0003; H02J 7/005; H02J 7/025; H02J 50/00; H02J 50/10; H02J 50/12; H02J 50/40; H02J 50/402; H02J 50/50; H02J 50/80; H01M 10/44; H01M 10/441
See application file for complete search history.

- D362,657 S 9/1995 Tomikawa et al.
- 5,992,807 A 11/1999 Tarulli
- 6,075,499 A 6/2000 Edwards et al.
- 6,076,790 A 6/2000 Richter
- 6,135,408 A 10/2000 Richter
- 6,149,116 A 11/2000 Won
- 6,305,656 B1 10/2001 Wemyss
- 6,382,482 B1 5/2002 Chao
- 6,502,727 B1 1/2003 Decoteau
- D479,196 S 9/2003 Shih

(Continued)

OTHER PUBLICATIONS

The Original iMagnet Cradle-Less Universal Car Phone Windsheild Dashboard Mount Holder for iPhone 6, 6 Plus, 6S, 6S Plus, 5S 5, Galaxy S6 S5, Note 5 4 3, With Official iMagnet Logo, iMagnet, Amazon.com, Aug. 19, 2012.

(Continued)

Primary Examiner — Rosemary K Tarcza
(74) *Attorney, Agent, or Firm* — Stetina Brunda Garred & Brucker

(57) **CLAIM**

The ornamental design for a charging cradle, as shown and described.

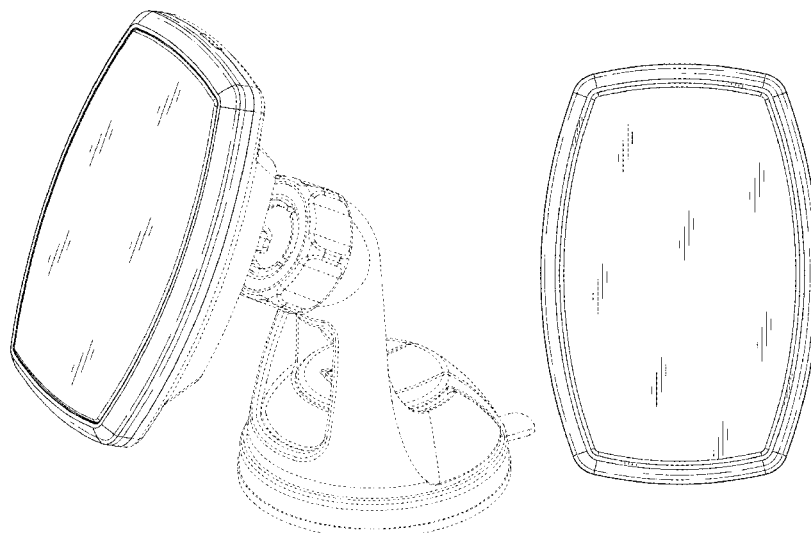
DESCRIPTION

FIG. 1 is a front perspective view showing the charging cradle of the present invention; FIG. 2 is a top view thereof; FIG. 3 is a left side view thereof; FIG. 4 is a front view thereof; FIG. 5 is a right side view thereof; and, FIG. 6 is bottom view thereof.

In the drawings, the broken line showings are for the purpose of illustrating portions of the charging cradle or environmental structure and forms no part of the claimed design.

1 Claim, 2 Drawing Sheets

- (56) **References Cited**
U.S. PATENT DOCUMENTS
3,329,277 A 7/1967 Gaudino
3,642,122 A 2/1972 Ende
D306,396 S 3/1990 Brushaber
D317,697 S 6/1991 Lage
D327,840 S 7/1992 Askew
5,213,240 A 5/1993 Dietz et al.
D362,230 S 9/1995 Yokozawa



(56)

References Cited

U.S. PATENT DOCUMENTS

D489,578 S 5/2004 Lai
 6,888,940 B1 5/2005 Deppen
 7,021,593 B1 4/2006 Fan
 D521,850 S 5/2006 Richter et al.
 D530,333 S 10/2006 Richter
 D543,439 S 5/2007 Brassard
 D551,058 S 9/2007 Carnevali
 D552,454 S 10/2007 Fynn
 D553,959 S 10/2007 Brassard
 D554,042 S 10/2007 Richter
 D554,491 S 11/2007 Stenberg et al.
 D681,867 S 11/2007 Wegger et al.
 7,296,771 B2* 11/2007 Kalis B60R 11/0258
 248/205.5
 D560,592 S 1/2008 Brassard
 D563,309 S 3/2008 Richter
 D565,937 S 4/2008 Tsai
 7,374,142 B2 5/2008 Carnevali
 D570,836 S 6/2008 Chen
 D576,865 S 9/2008 Chiang et al.
 7,431,251 B2 10/2008 Carnevali
 D588,903 S 3/2009 Carnevali
 D590,835 S 4/2009 Richter
 D592,205 S 5/2009 O'Brien
 D600,991 S 9/2009 Lai
 D603,322 S 11/2009 Nicieja
 D604,722 S 11/2009 Mistry
 D609,644 S 2/2010 Lin
 D609,695 S 2/2010 Cigliano
 D618,221 S 6/2010 Fahrendorff
 D638,008 S 5/2011 Richter
 D640,242 S 6/2011 Fahrendorff
 8,016,255 B2 9/2011 Lin
 D654,874 S 2/2012 Au
 D656,128 S 3/2012 Park
 D656,465 S 3/2012 Au
 D656,899 S 4/2012 Webb et al.
 D657,781 S 4/2012 Yang
 D670,157 S 11/2012 Mo
 D671,074 S 11/2012 Hori et al.
 D677,709 S 3/2013 Skeoch et al.
 D686,595 S 7/2013 Andre et al.
 8,496,222 B2 7/2013 Li
 D687,441 S 8/2013 Jansen
 D694,249 S 11/2013 Akana et al.
 D700,175 S 2/2014 Ohm
 D705,211 S* 5/2014 Huang D14/253
 D709,066 S 7/2014 Byun

D709,072 S 7/2014 Askew-Harris et al.
 D713,398 S 9/2014 Alesi et al.
 D715,132 S* 10/2014 McSweyn D8/363
 D718,612 S* 12/2014 McSweyn D8/363
 D719,959 S 12/2014 Vogel
 D727,259 S 4/2015 Hwang
 D735,132 S 7/2015 Donohue, II
 D761,769 S 7/2016 Harper
 D772,203 S 11/2016 Zeng
 D778,713 S* 2/2017 McSweyn D12/415
 D778,714 S* 2/2017 McSweyn D12/415
 D782,415 S 3/2017 Zhang
 D790,960 S* 7/2017 McSweyn D12/415
 D792,380 S 7/2017 Harper
 D804,413 S* 12/2017 McSweyn D13/108
 D831,462 S* 10/2018 McSweyn D8/349
 D847,741 S* 5/2019 Hu D13/108
 D858,509 S* 9/2019 Yao D14/253
 D862,454 S* 10/2019 Chun D14/253
 D864,092 S* 10/2019 Zhang D12/415
 D872,688 S* 1/2020 Nazar D13/108
 D877,066 S* 3/2020 Zhang D13/108
 D877,138 S* 3/2020 McSweyn D14/253
 2005/0092875 A1 5/2005 Carnevali
 2006/0290654 A1* 12/2006 Wang B60R 11/0235
 345/156
 2007/0018064 A1 1/2007 Wang
 2008/0023606 A1 1/2008 Kalis et al.
 2011/0192857 A1 8/2011 Rothbaum et al.
 2012/0229300 A1 9/2012 Fu
 2012/0292463 A1 11/2012 Burns
 2013/0187020 A1 7/2013 Trotsky
 2014/0346295 A1 11/2014 Song

OTHER PUBLICATIONS

Scosche Magic Mount Pro Home Qi, Scosche, published on Jan. 30, 2017 on twice.com, retrieved on Aug. 8, 2017, retrieved from the Internet URL: <http://www.twice.com/twice-picks-award-winner-scosche-mpqhd-magicmount-pro-home-qi/64136>.
 Japanese Office Action dated Jan. 29, 2019 [Japanese Design Application No. 2018-016592].
 Korean Office Action dated Dec. 3, 2018 [Korean Design Application No. 30-2018-0034999].
<https://www.scosche.com/awards>; Jan. 9, 2018.
 Design of "wireless charger for mobile phone" Registration No. 30-0842715 published on Mar. 4, 2016 in the South Korea Design Trademark Bulletin.

* cited by examiner

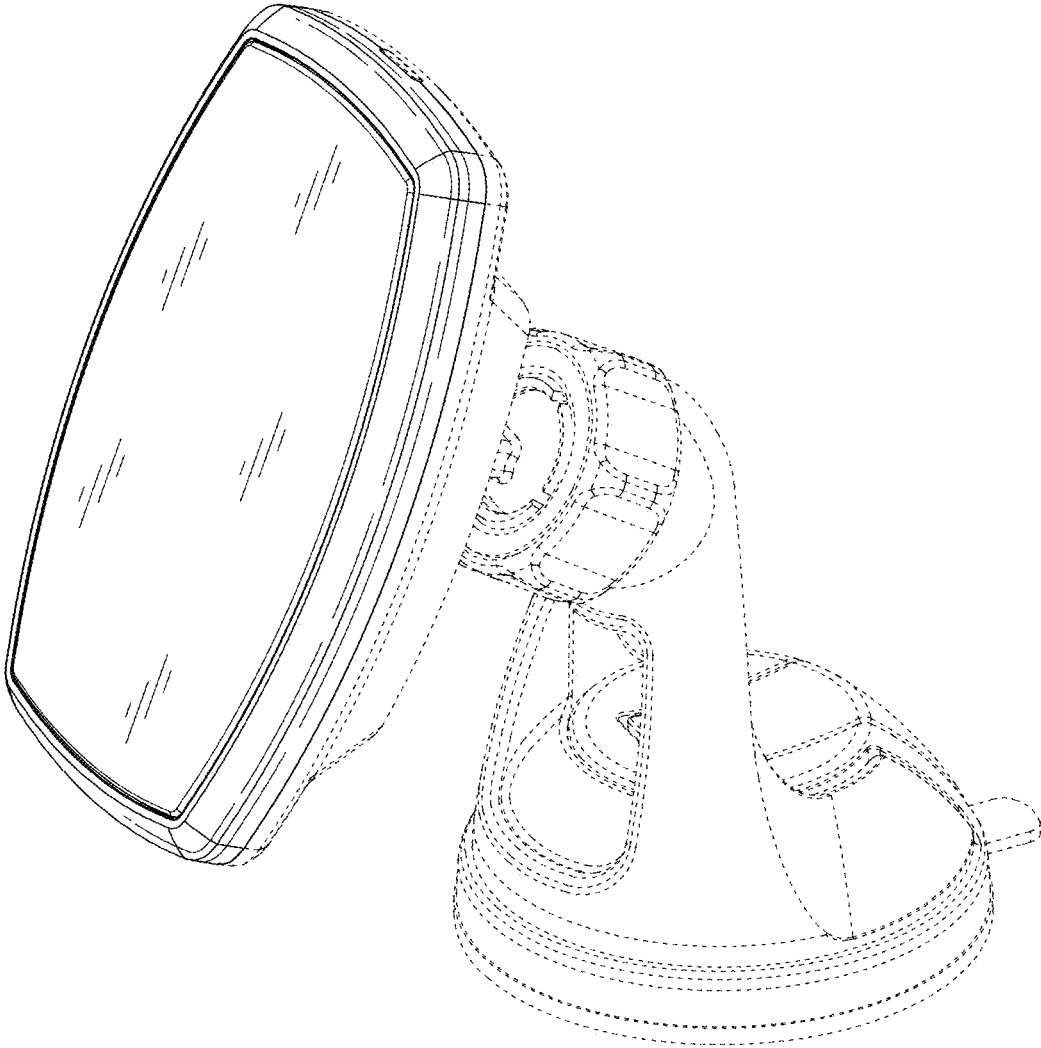


FIG. 1

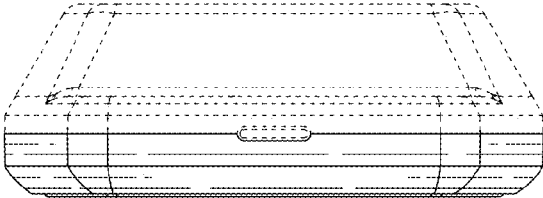


FIG. 2

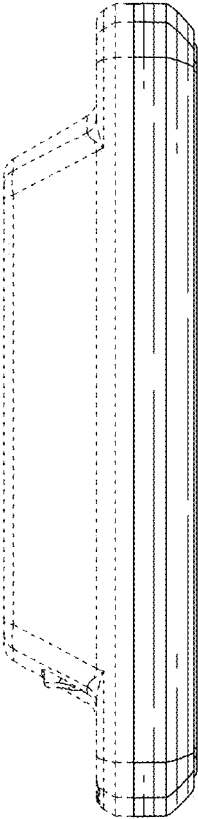


FIG. 3

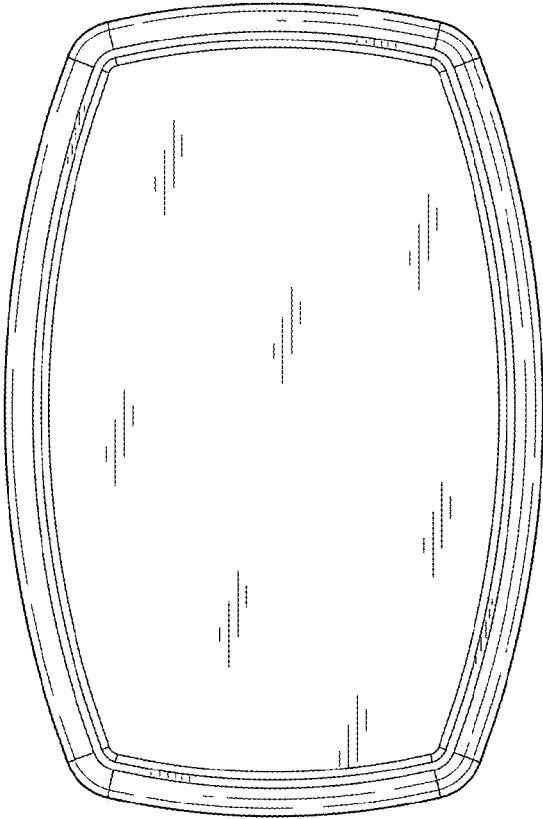


FIG. 4

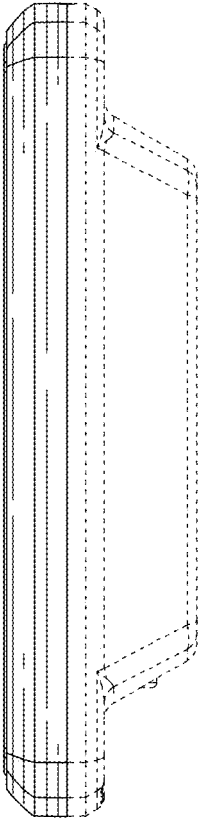


FIG. 5

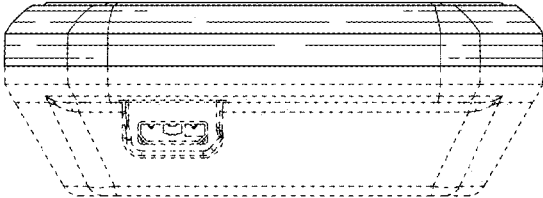


FIG. 6