

[54] WATER TROUGH

[75] Inventor: James M. Harrison, Shrewsbury, England

[73] Assignee: H. H. Robertson Company, Pittsburgh, Pa.

[**] Term: 14 Years

[21] Appl. No.: 866,474

[22] Filed: Dec. 30, 1977

[30] Foreign Application Priority Data

Jul. 2, 1977 [GB] United Kingdom 980632/77

[51] Int. Cl. D30-03

[52] U.S. Cl. D30/16

[58] Field of Search D23/48-50,
D23/55-57; D24/38; D30/13-18; 119/78, 79,
80

[56] References Cited

U.S. PATENT DOCUMENTS

D. 149,151	3/1948	Southworth	D30/16
D. 162,476	3/1951	Saunders et al.	D30/13
D. 194,784	3/1963	Voorhis	D30/16

D. 203,311	12/1965	McNair	D24/38
D. 211,097	5/1968	Strauss	D30/16
D. 230,035	1/1974	Bowman	D30/16
D. 236,511	8/1975	Bunger	D30/13
D. 239,724	4/1976	Kuzara et al.	D30/16
D. 250,962	1/1979	Bonsack	D23/35
1,329,288	1/1920	Carpenter	119/61
1,824,035	9/1931	Cromwell	4/173
2,387,664	10/1945	Kubista	119/80
2,490,982	12/1949	Rodman	D23/55 X
3,133,524	5/1964	Martin	119/78
3,841,268	10/1974	Bunger	119/78 X

Primary Examiner—James R. Largen

Attorney, Agent, or Firm—Harry B. Keck; George E. Manias

[57] CLAIM

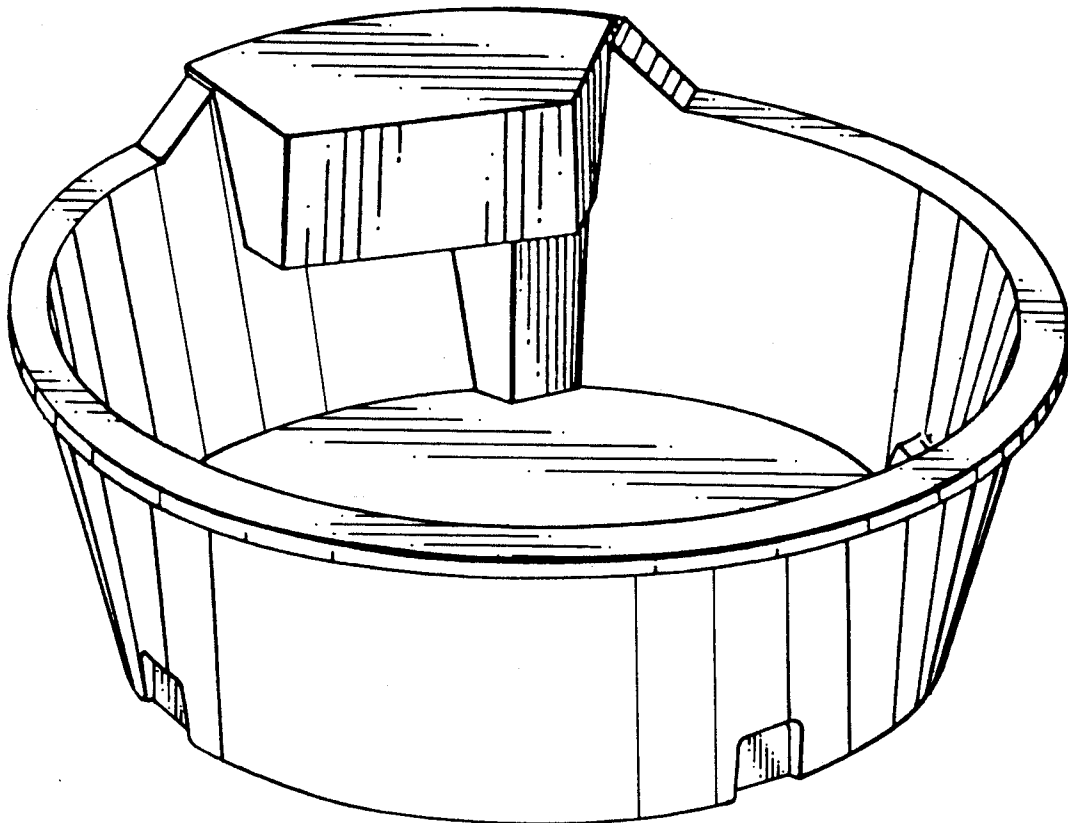
The ornamental design for a water trough, as shown.

DESCRIPTION

FIG. 1 is a top plan view of a water trough showing my new design;

FIG. 2 is a perspective view taken from the bottom and rear thereof; and

FIG. 3 is a perspective view taken from the top and front thereof.



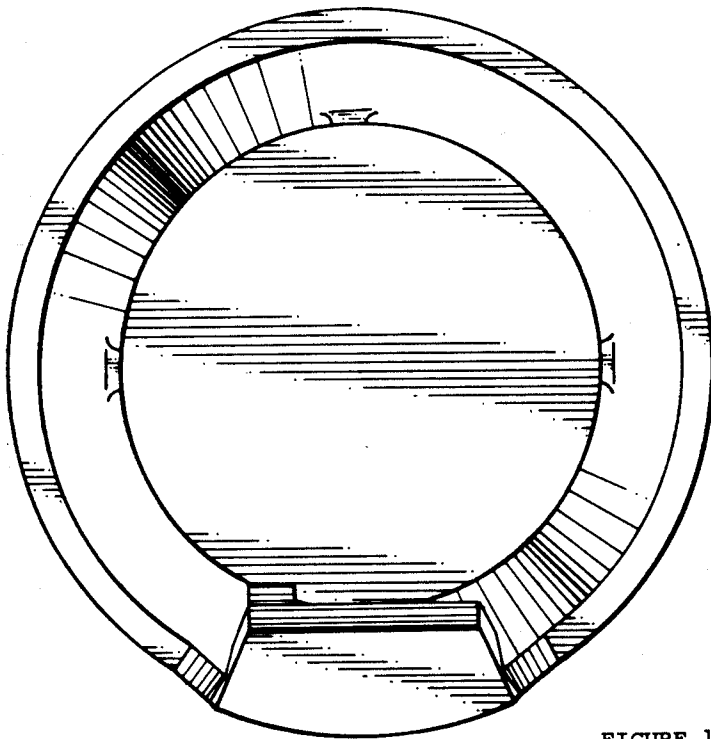


FIGURE 1

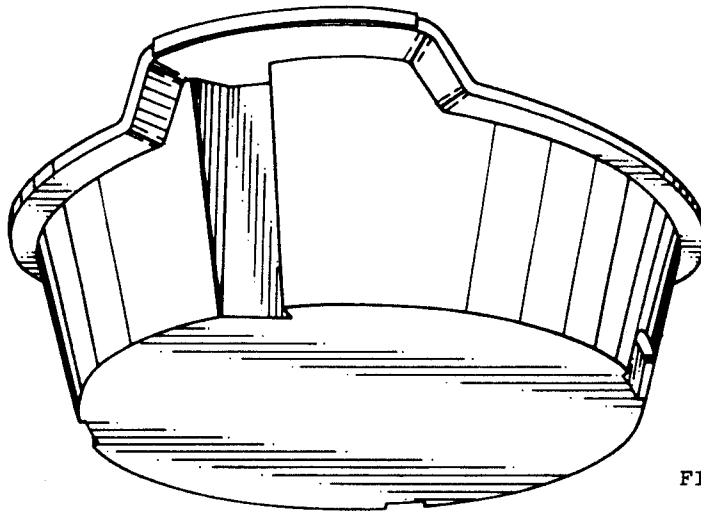


FIGURE 2

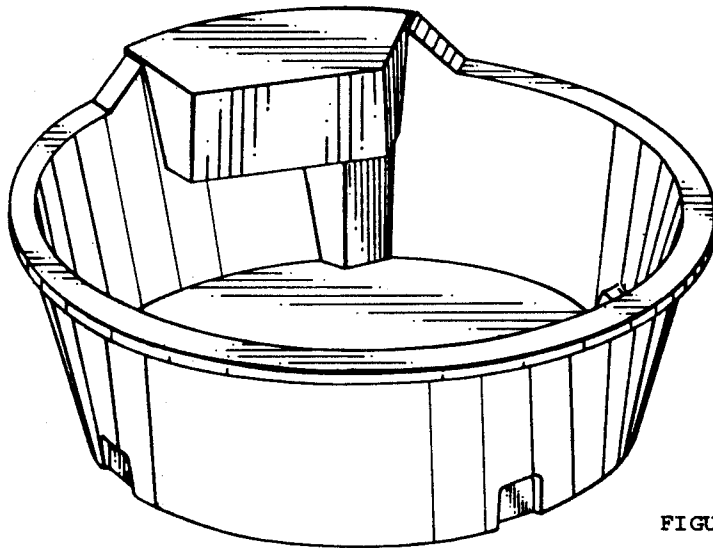


FIGURE 3