



US00D987058S

(12) **United States Design Patent**
Wang

(10) **Patent No.:** **US D987,058 S**

(45) **Date of Patent:** **** May 23, 2023**

(54) **CEILING FAN**

(71) Applicant: **AIR COOL INDUSTRIAL CO., LTD.**, Taichung (TW)

(72) Inventor: **Cliff Wang**, Taichung (TW)

(73) Assignee: **AIR COOL INDUSTRIAL CO., LTD.**, Taichung (TW)

D819,799 S *	6/2018	Wang	D23/377
D833,595 S *	11/2018	Busta	D23/377
D849,225 S *	5/2019	Schulzman	D23/377
D851,233 S *	6/2019	Gajewski	D23/377
D873,404 S *	1/2020	Biancuzzo	D23/377
D879,935 S *	3/2020	Busta	D23/385
D886,979 S *	6/2020	Gorali	D23/377
D916,272 S *	4/2021	Gajewski	D23/413
D933,188 S *	10/2021	Li	D23/377
D933,810 S *	10/2021	Li	D23/413

(Continued)

(**) Term: **15 Years**

(21) Appl. No.: **29/779,027**

(22) Filed: **Apr. 16, 2021**

(51) **LOC (14) Cl.** **23-04**

(52) **U.S. Cl.**
USPC **D23/377**

(58) **Field of Classification Search**
USPC D23/370, 377, 379, 385, 411, 413, 414;
D26/59, 72-85, 88, 89
CPC F04D 25/088; F04D 29/38; F04D 29/384;
F04D 29/386; F21V 33/0096
See application file for complete search history.

(56) **References Cited**

U.S. PATENT DOCUMENTS

2,023,454 A *	12/1935	Harry	B64C 11/16 416/237
D131,699 S *	3/1942	Funk	D23/413
D334,232 S *	3/1993	Searle	D23/377
D535,011 S *	1/2007	Gajewski	D23/379
D535,387 S *	1/2007	Gajewski	D23/413
D535,388 S *	1/2007	Gajewski	D23/413
D671,203 S *	11/2012	Wang	D26/59
D716,438 S *	10/2014	Liu	D23/377
D721,430 S *	1/2015	Schulzman	D23/413
D726,297 S *	4/2015	Liu	D23/377
D745,956 S *	12/2015	Ertze	D23/385
D750,213 S *	2/2016	Schulzman	D23/385
D780,902 S *	3/2017	Gajewski	D23/377
D799,660 S *	10/2017	Jones	D23/385
D818,572 S *	5/2018	Gajewski	D23/413

OTHER PUBLICATIONS

Fanimation Wrap Custom 52-in Fan, posted on [Dec. 2, 2019] [online], [retrieved Jan. 20, 2023]. Retrieved from internet, <https://www.lowes.com/pd/Fanimation-Wrap-Custom-52-in-Brushed-Nickel-LED-Indoor-Outdoor-Ceiling-Fan-with-Light-Kit-and-Remote-3-Blade/1001306932> (Year: 2019).*

Primary Examiner — Sharon S Oum
Assistant Examiner — Dasia Keanna Gregg
(74) *Attorney, Agent, or Firm* — Pai Patent & Trademark Law Firm; Chao-Chang David Pai

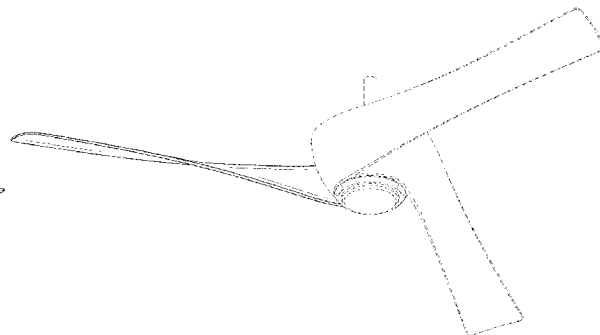
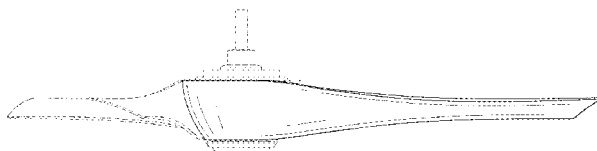
(57) **CLAIM**

The ornamental design for a ceiling fan, as shown and described.

DESCRIPTION

FIG. 1 is a front top perspective view of a ceiling fan showing my new design;
FIG. 2 is a front elevational view thereof;
FIG. 3 is a rear elevational view thereof;
FIG. 4 is a left side elevational view thereof;
FIG. 5 is a right side elevational view thereof;
FIG. 6 is a top plan view thereof;
FIG. 7 is a bottom plan view thereof; and,
FIG. 8 is a front bottom perspective view thereof.
The broken lines illustrate portions of the ceiling fan that form no part of the claimed design.

1 Claim, 6 Drawing Sheets



(56)

References Cited

U.S. PATENT DOCUMENTS

D969,300 S *	11/2022	Pan	D23/377
2003/0129057 A1 *	7/2003	Frampton	F04D 25/088
			416/19
2007/0104583 A1 *	5/2007	Gajewski	F04D 29/005
			416/210 R
2012/0177496 A1 *	7/2012	Gajewski	F04D 29/384
			416/204 R

* cited by examiner

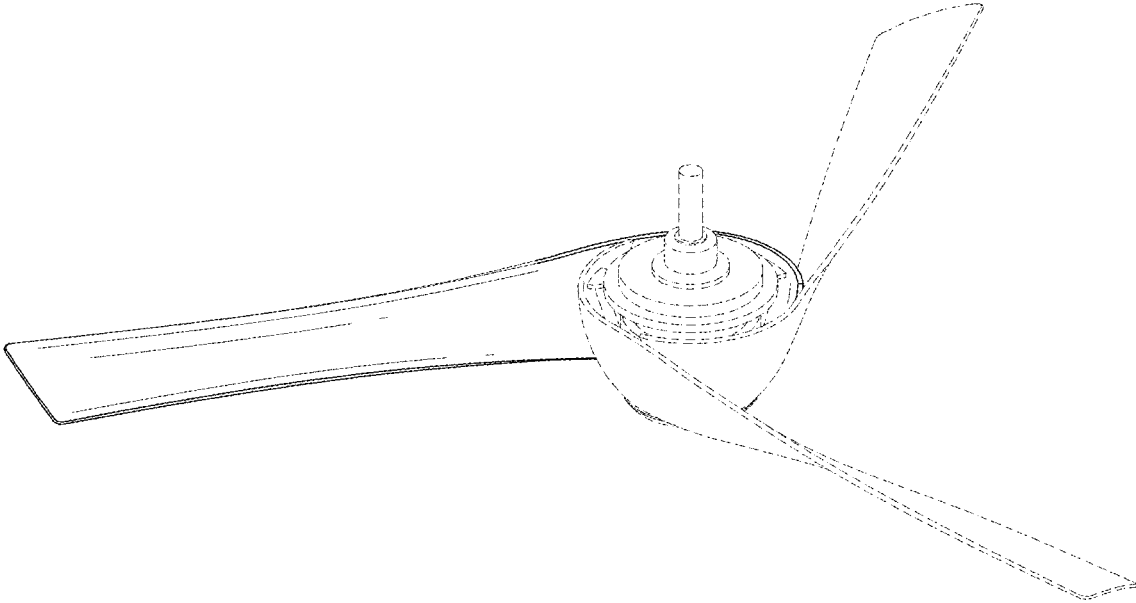


FIG. 1

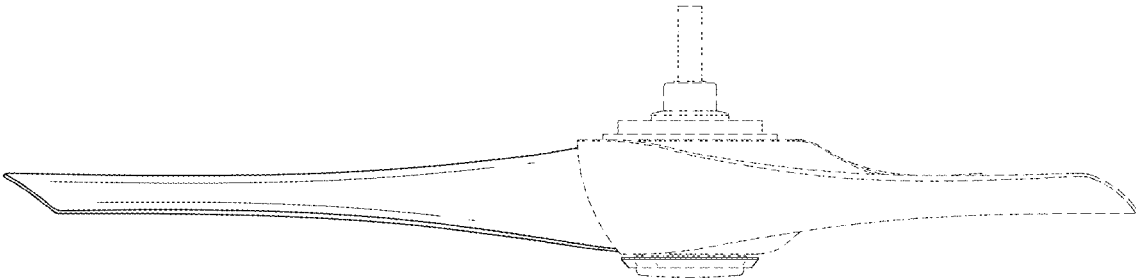


FIG. 2

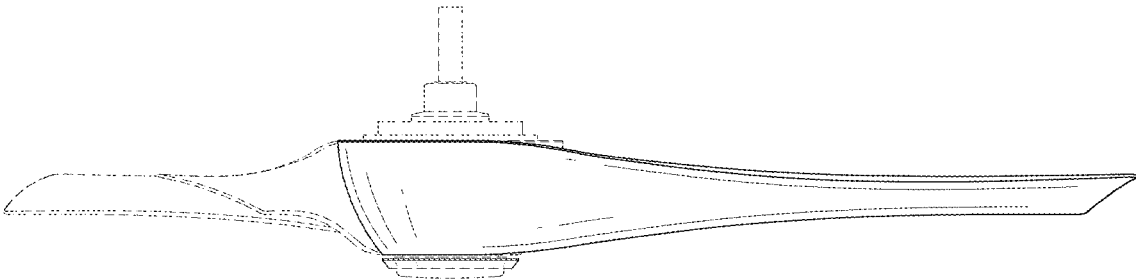


FIG. 3

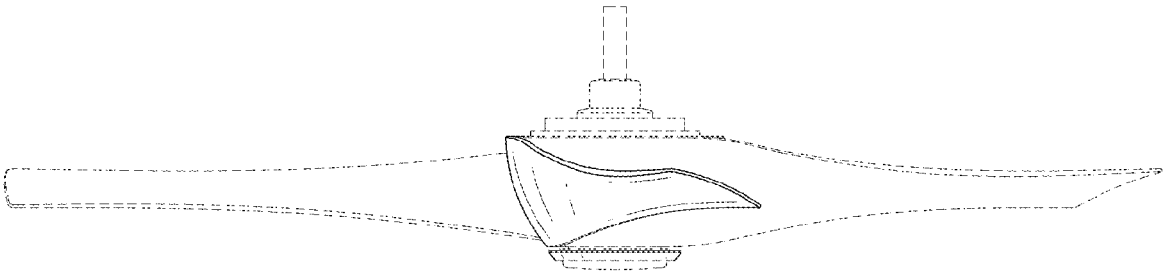


FIG. 4

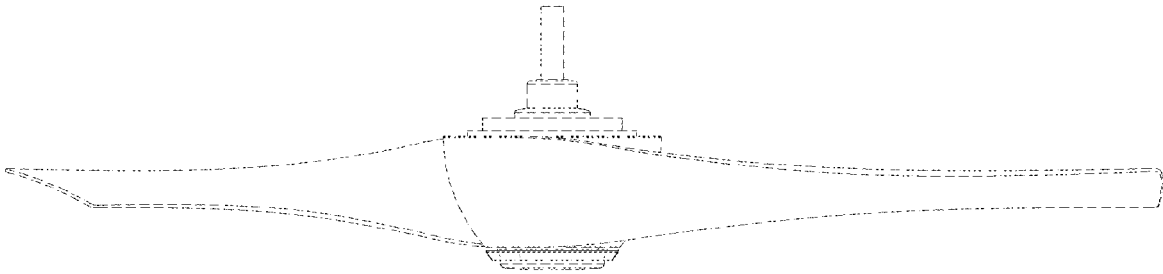


FIG. 5

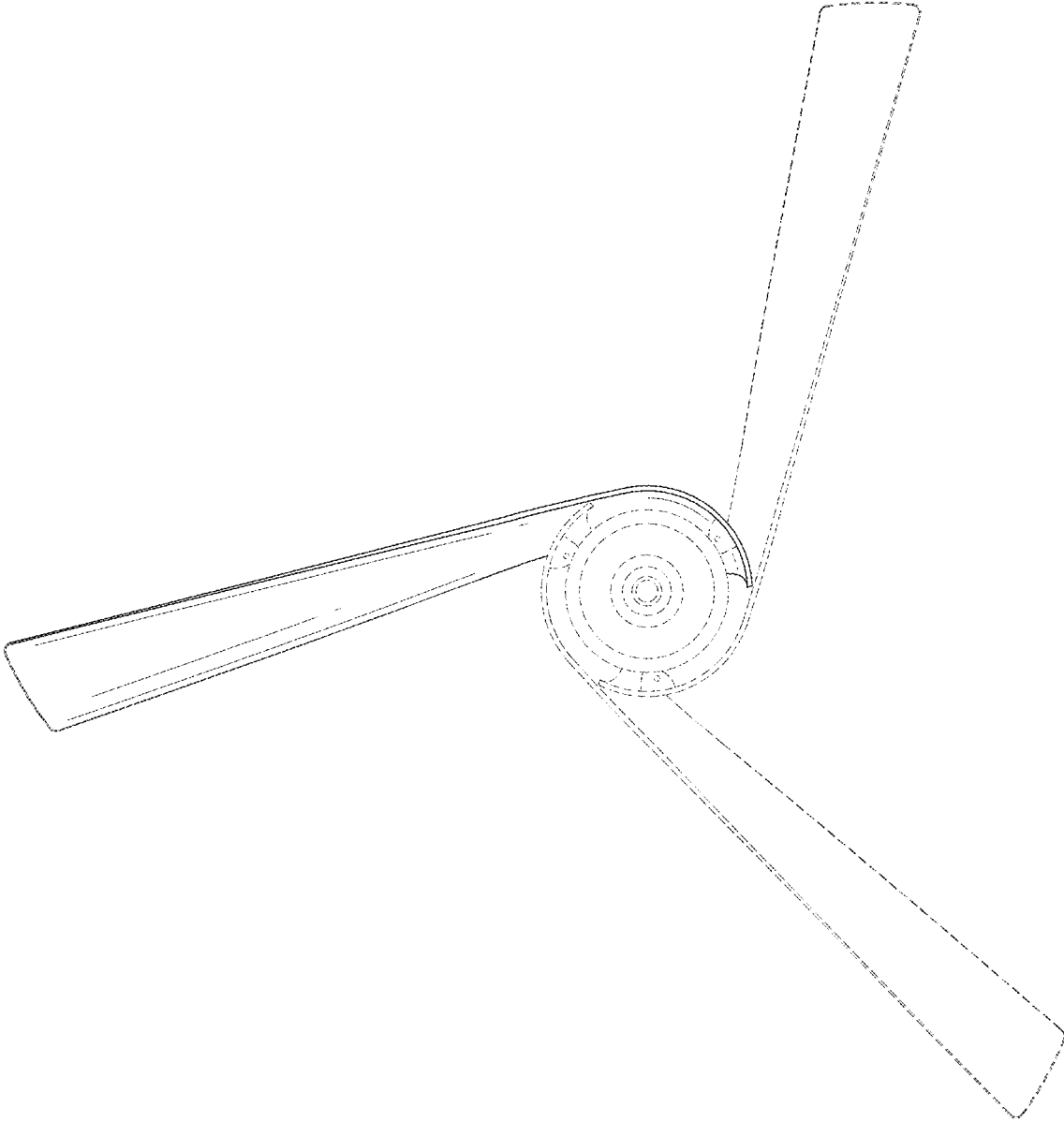


FIG. 6

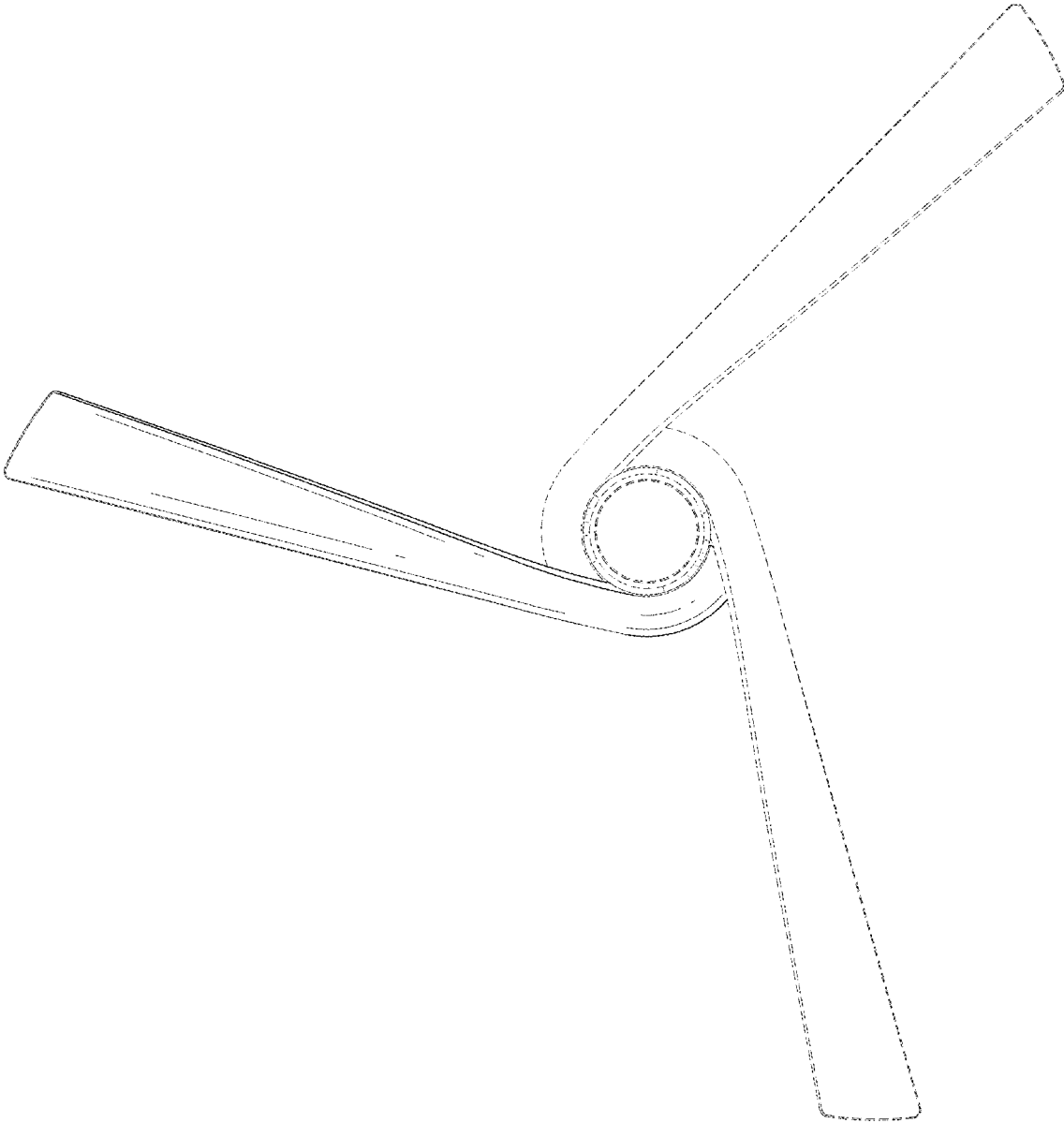


FIG. 7

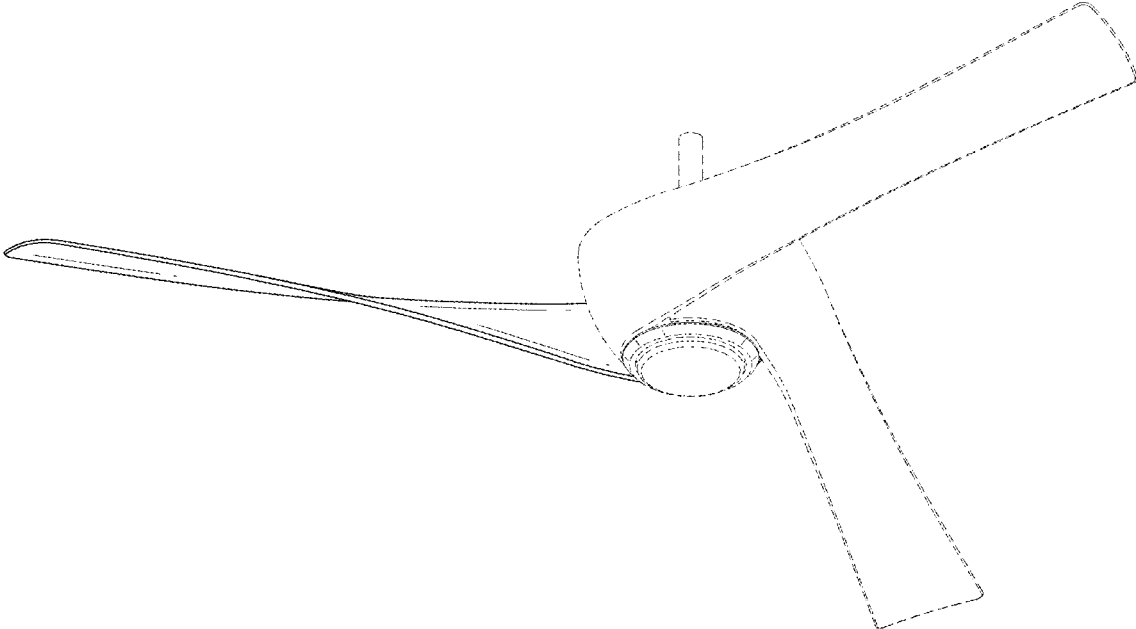


FIG. 8