



US00D984822S

(12) **United States Design Patent** (10) **Patent No.:** **US D984,822 S**
Mountz et al. (45) **Date of Patent:** **** May 2, 2023**

(54) **PLAYARD** 2015/0007387 A1* 1/2015 Lo A47D 9/005
5/98.1
(71) Applicant: **Wonderland Switzerland AG,** 2017/0251827 A1* 9/2017 Gallina A47D 7/02
Steinhausen (CH) 2018/0035821 A1* 2/2018 Bass-Conn A47D 9/00
2021/0267385 A1* 9/2021 Gillett A47D 9/02

(72) Inventors: **Jonathan K. Mountz,** Birdsboro, PA
(US); **Patrick J. G. Bowers,** Hockessin,
DE (US)

FOREIGN PATENT DOCUMENTS

CN 3499844 1/2006
EP 006794400-0001 9/2019
TW D108985 S 2/2006

(73) Assignee: **Wonderland Switzerland AG,**
Steinhausen (CH)

OTHER PUBLICATIONS

(**) Term: **15 Years**

Graco Pack 'n Play Day2Dream Travel Bassinet, available in Amazon.com, oldest review date Jul. 18, 2021, site visited Jun. 23, 2022, available from URL:https://www.amazon.com/Graco-Day2Dream-Bassinet-Features-Portable/dp/B08K2TDXFC#customerReviews. (Year: 2021).*

(21) Appl. No.: **29/765,467**

(22) Filed: **Jan. 8, 2021**

(51) **LOC (14) Cl.** **06-02**

(52) **U.S. Cl.** **D6/390**
USPC

* cited by examiner

(58) **Field of Classification Search**
USPC D6/331, 382, 389, 390, 391, 392, 718,
D6/718.26; D21/520

Primary Examiner — Mary Ann Calabrese
Assistant Examiner — Mark David Wolfley
(74) *Attorney, Agent, or Firm* — Volpe Koenig

CPC A47D 13/06; A47D 13/061; A47D 13/063;
A47D 5/006; A47D 9/00; A47D 9/005;
A47D 7/00; A47D 7/002

(57) **CLAIM**

See application file for complete search history.

The ornamental design for a playard, as shown and described.

(56) **References Cited**

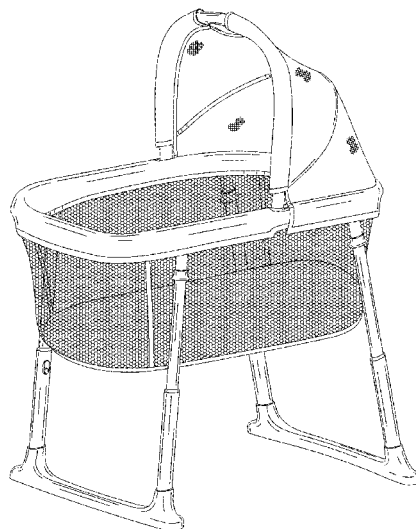
DESCRIPTION

U.S. PATENT DOCUMENTS

2,197,333 A * 4/1940 Bianchi A47D 9/00
5/93.1
6,588,033 B1 * 7/2003 Welsh, Jr. A47D 7/002
5/98.1
D605,869 S * 12/2009 Bergkvist D6/390
D678,693 S * 3/2013 Bergkvist D6/390
9,962,012 B1 * 5/2018 Schmid A47D 9/00
9,986,849 B2 * 6/2018 Sclare A47D 9/00
D880,186 S 4/2020 Rodgers
D884,381 S * 5/2020 Tuckey D6/390
D899,130 S * 10/2020 Dolk D6/391
2005/0210581 A1 * 9/2005 Clapper A47D 9/00
5/93.1

FIG. 1 is a front elevation view of a playard showing our design;
FIG. 2 is a rear elevation view thereof;
FIG. 3 is a left side elevation view thereof;
FIG. 4 is a right side elevation view thereof;
FIG. 5 is a top plan view thereof;
FIG. 6 is a bottom plan view thereof; and,
FIG. 7 is a perspective view thereof.
The portion shown in broken lines is for illustrative purposes only and forms no part of the claimed design.

1 Claim, 7 Drawing Sheets



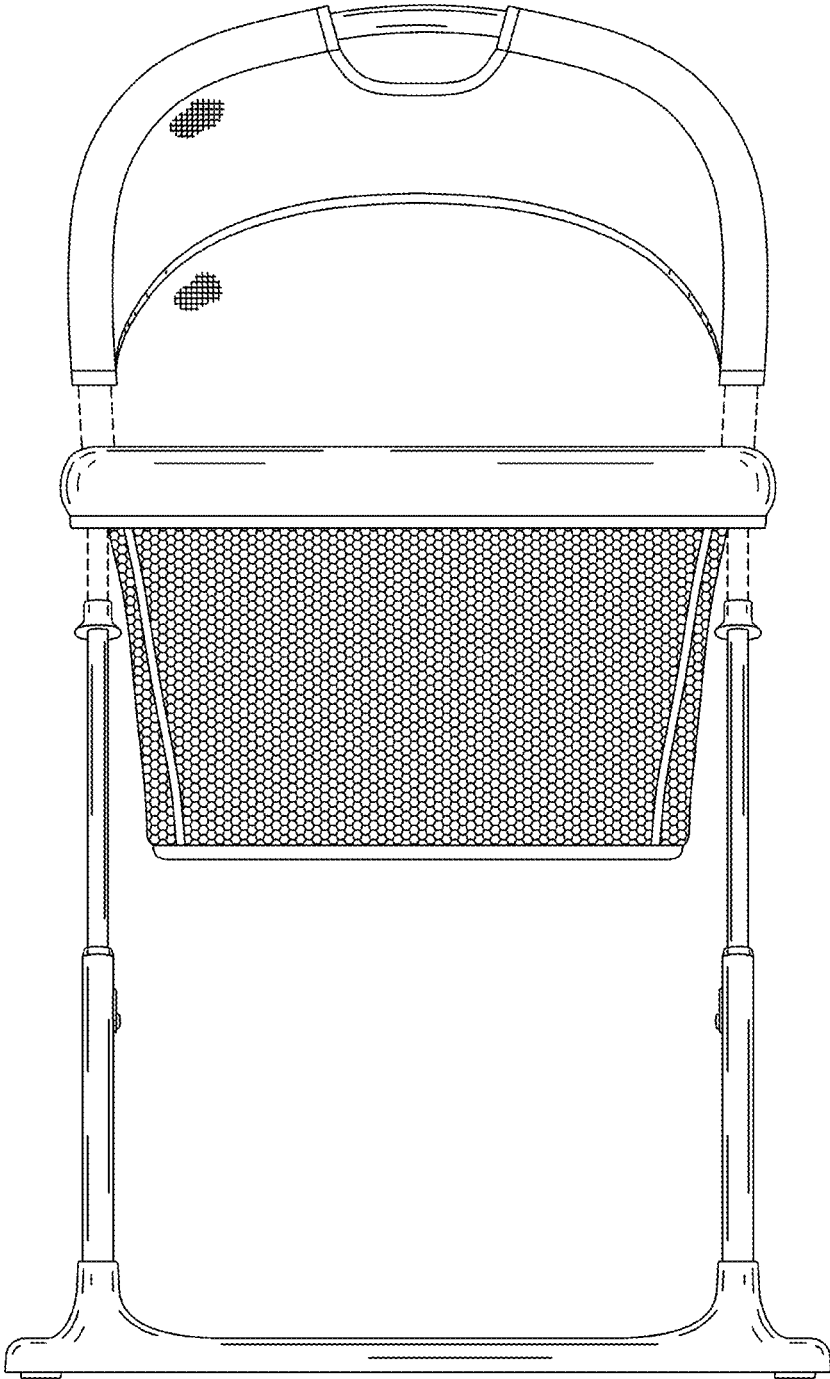


FIG. 1

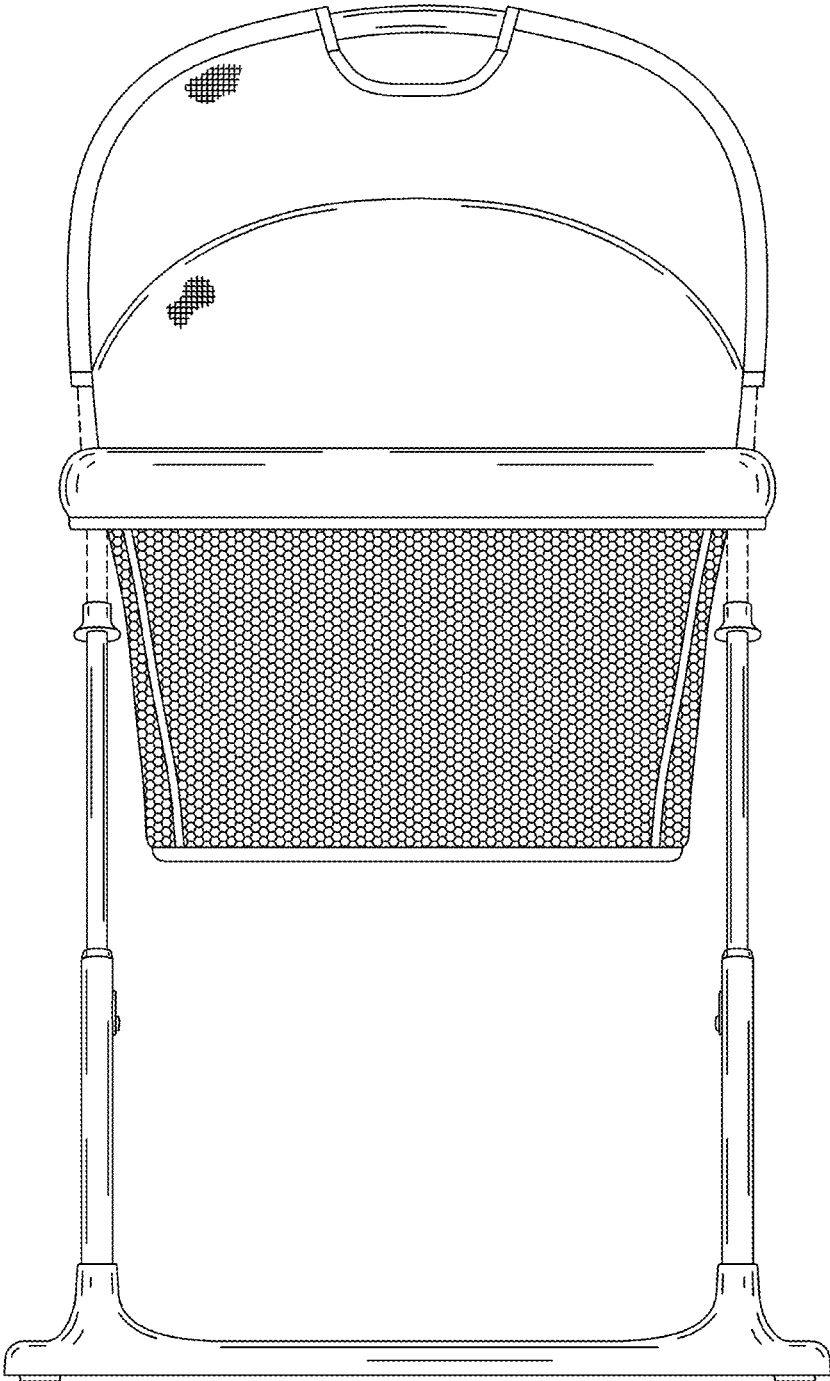


FIG. 2

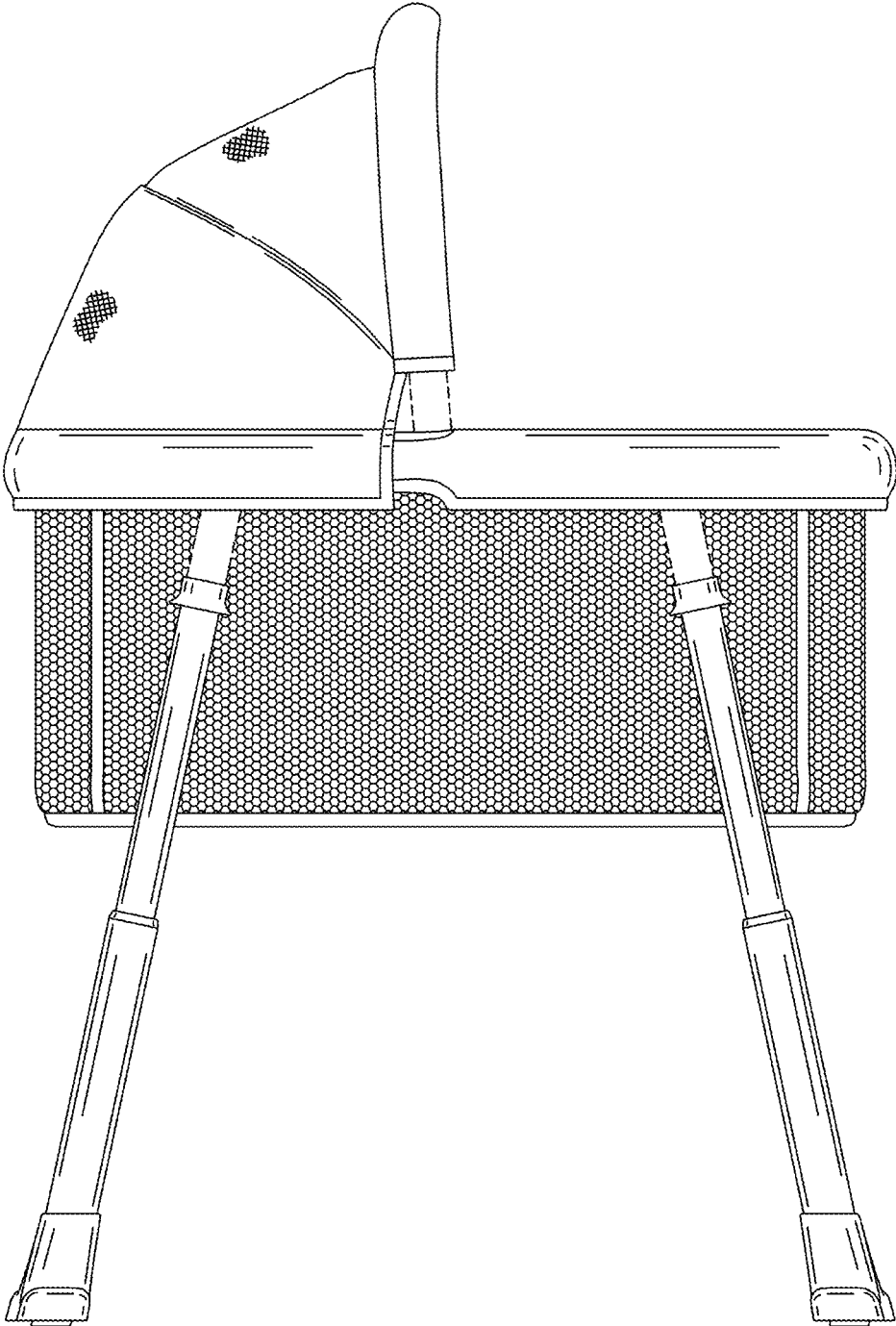


FIG. 3

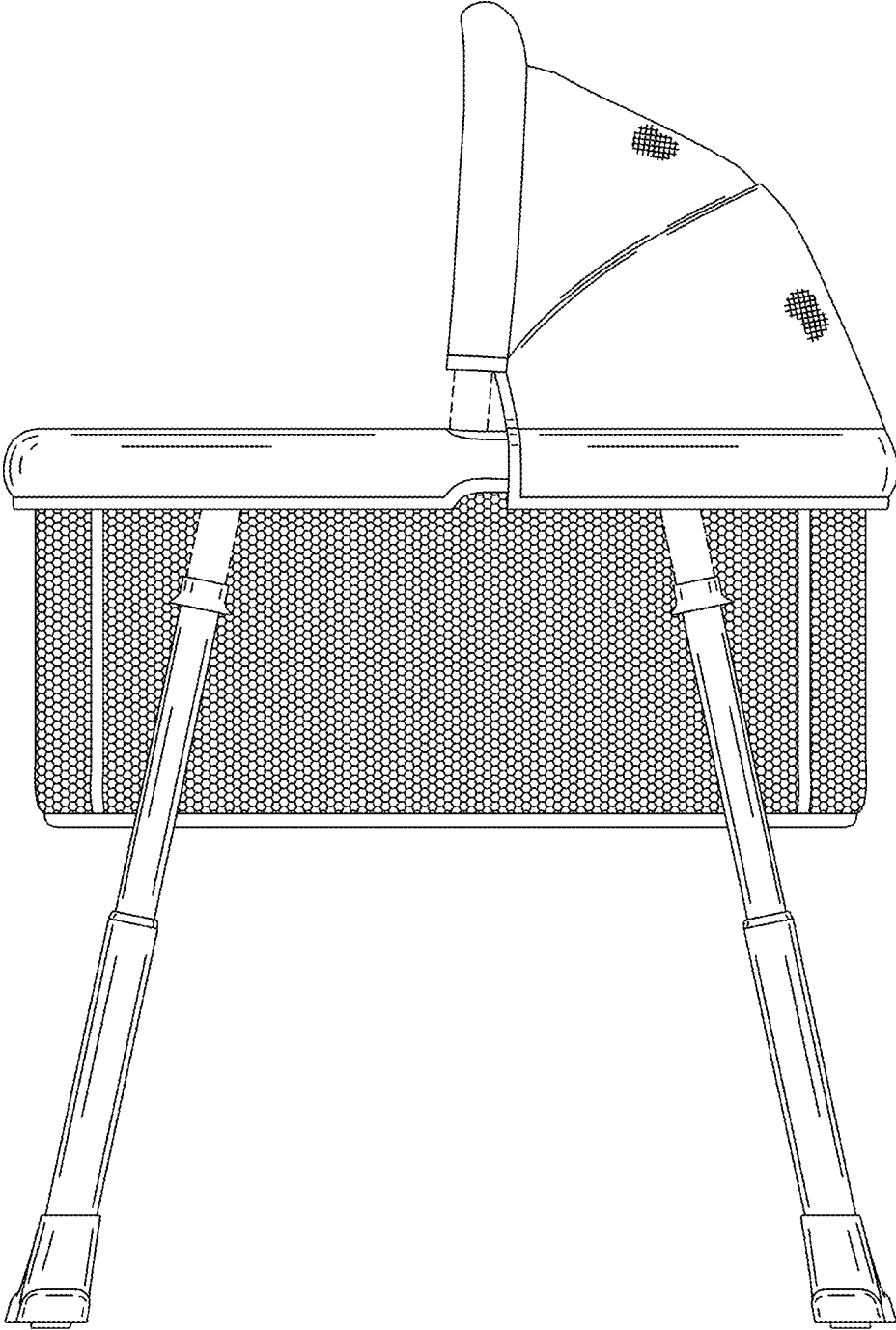


FIG. 4

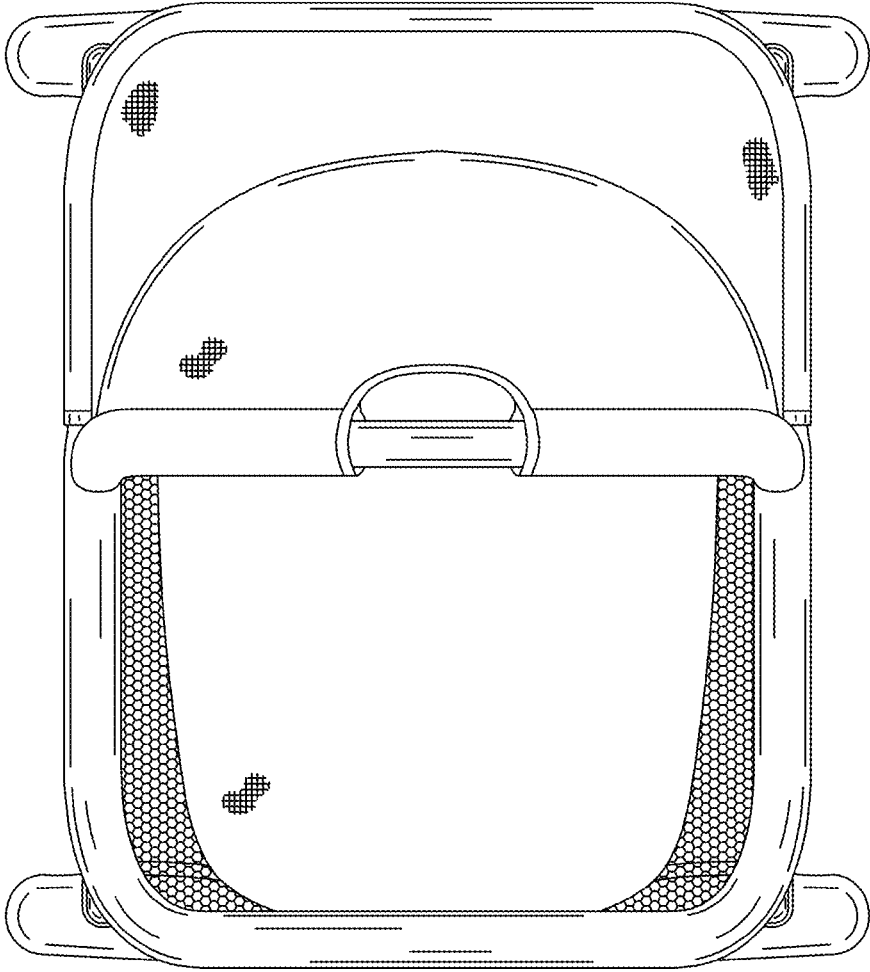


FIG. 5

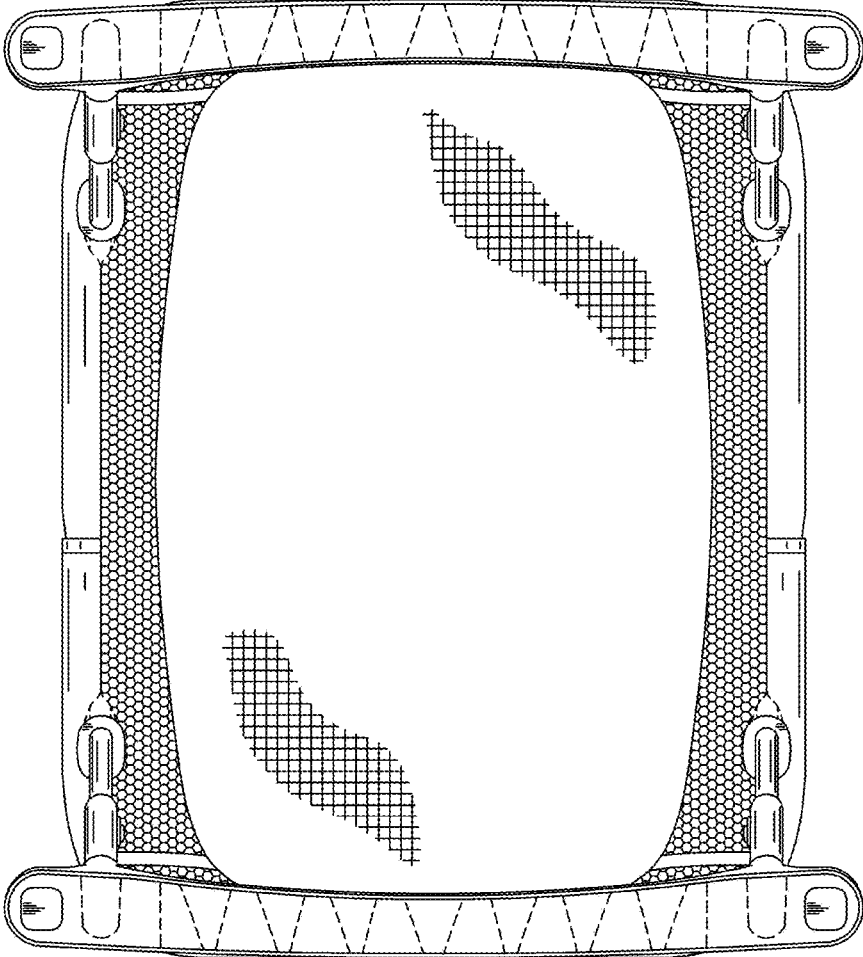


FIG. 6

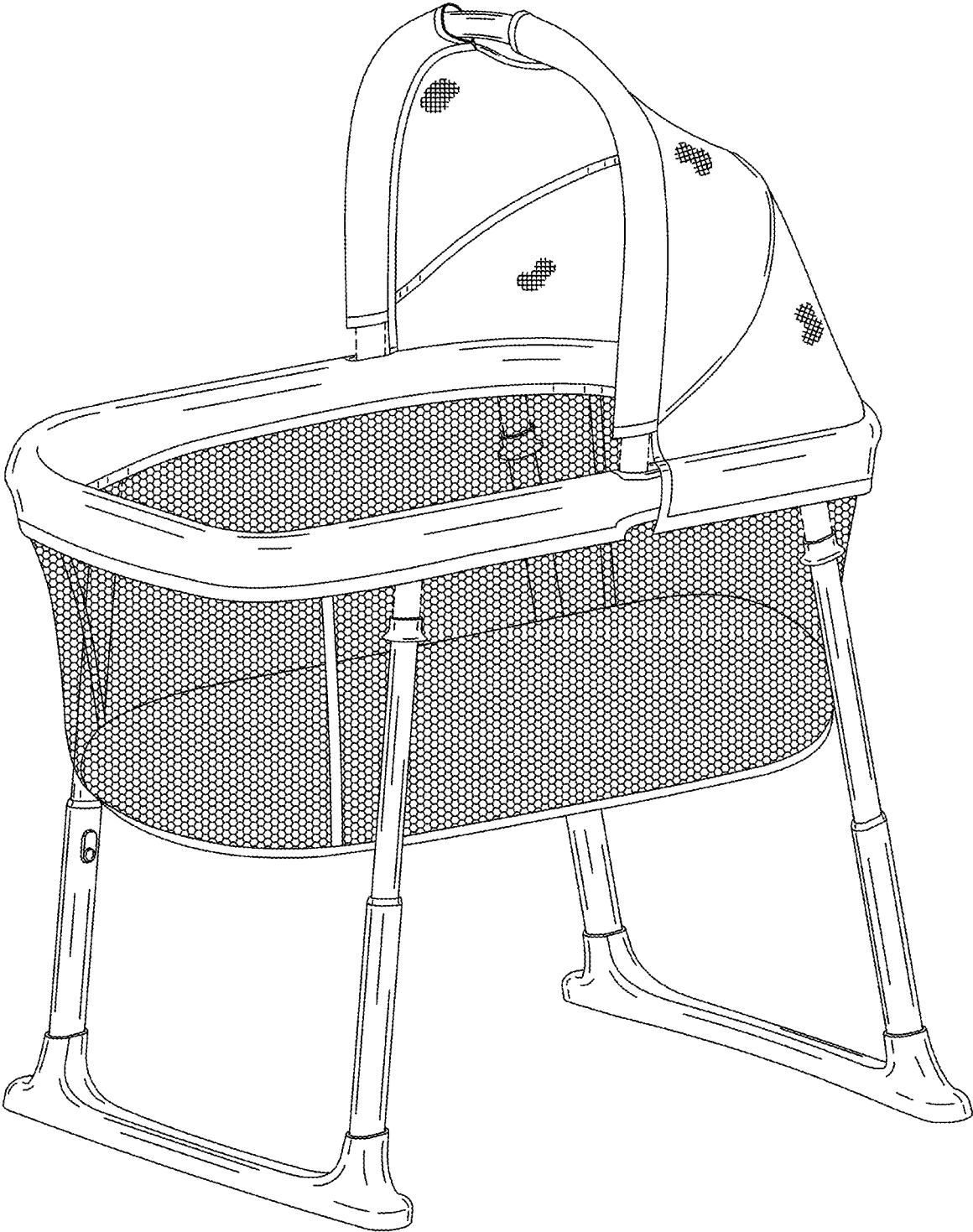


FIG. 7