

[54] WASTE HEAT RECOVERY DEVICE

[76] Inventor: Edwin A. Price, 16001 E. 11th Ave., Aurora, Colo. 80011

[\*\*] Term: 14 Years

[21] Appl. No.: 409,886

[22] Filed: Aug. 20, 1982

[52] U.S. Cl. .... D23/136; D23/127

[58] Field of Search ..... D23/127, 136, DIG. 12; 165/DIG. 2, DIG. 4; 126/19.5, 361, 364; 34/86

[56] References Cited

U.S. PATENT DOCUMENTS

D. 244,032 4/1977 Deetz et al. .... D23/127

3,124,197 3/1964 Funk ..... 165/DIG. 2 X  
4,078,602 3/1978 Richer ..... 165/DIG. 2 X  
4,342,359 8/1982 Baker ..... 165/DIG. 2

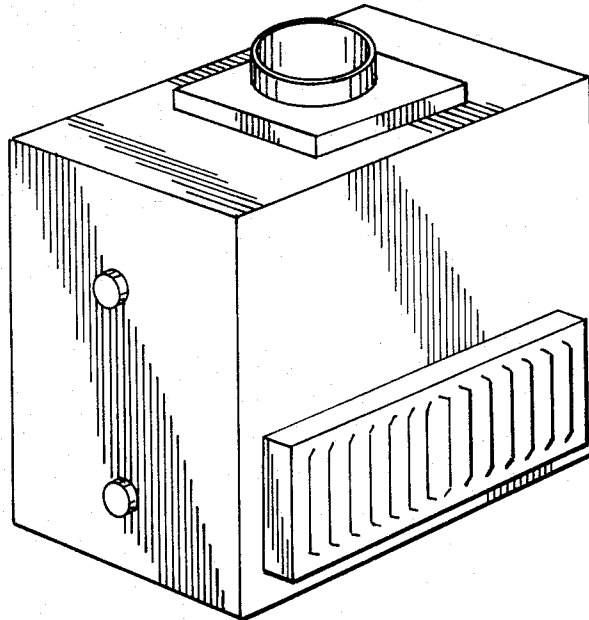
Primary Examiner—Catherine E. Kemper

[57] CLAIM

The ornamental design for a waste heat recovery device, as shown and described.

DESCRIPTION

FIG. 1 is a perspective view of a waste heat recovery device, showing my new design; FIG. 2 is a side elevational view thereof; and FIG. 3 is a rear plan view thereof; and FIG. 4 is a top plan view thereof; the base plan view being a mirror image thereof; FIG. 5 is a front elevational view thereof.



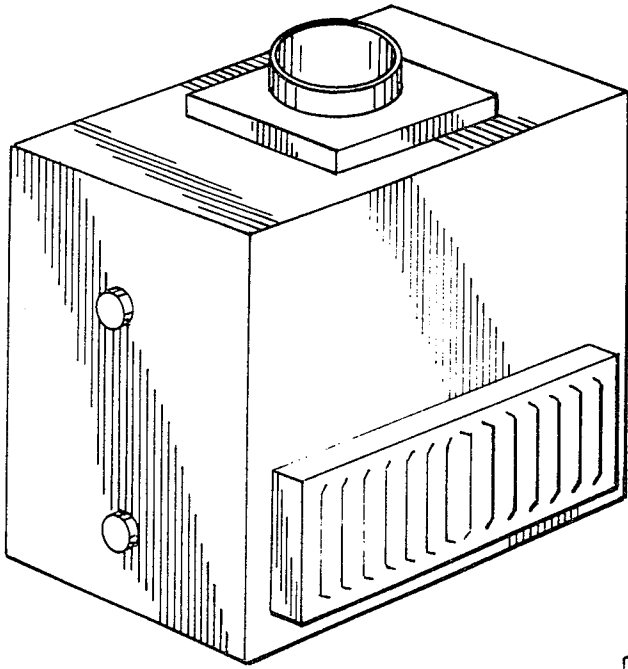


FIG. 1

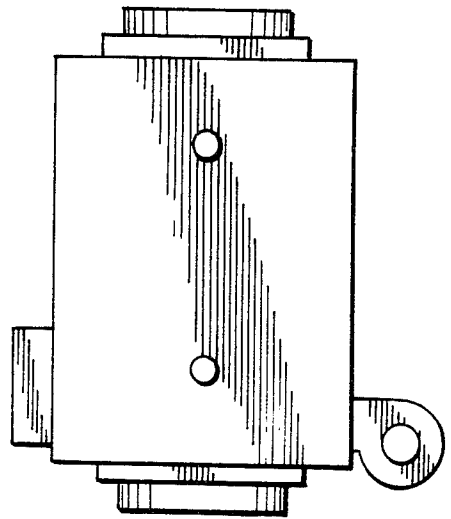


FIG. 2

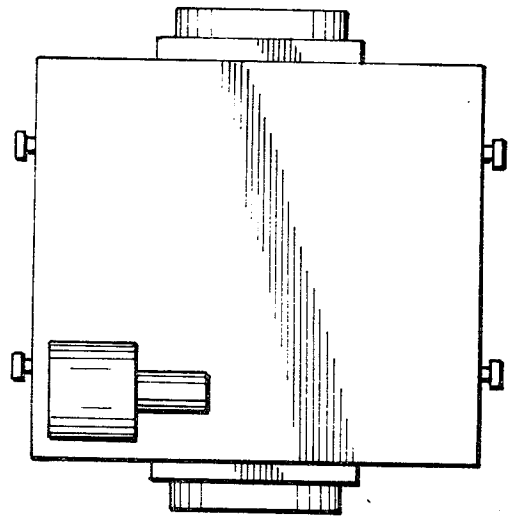


FIG. 3

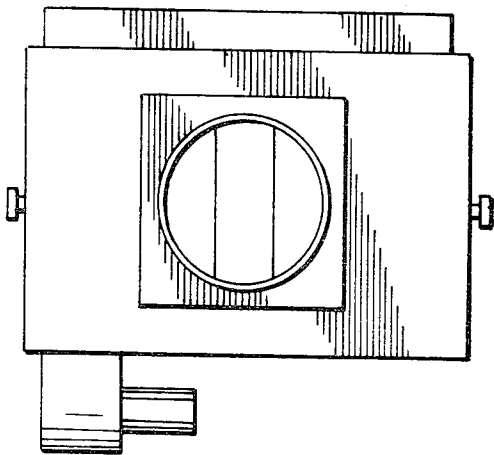


FIG. 4

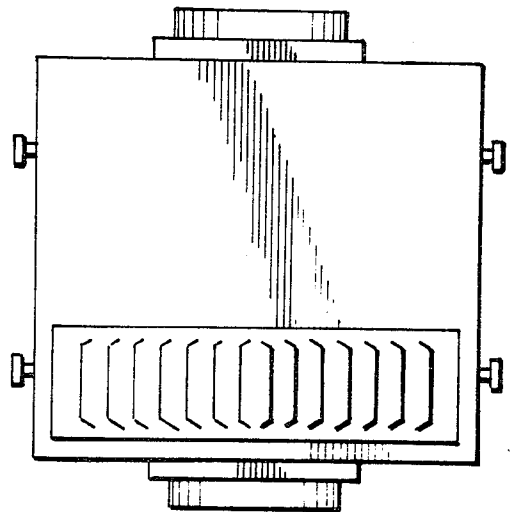


FIG. 5