



(12) **United States Design Patent**
Cha

(10) **Patent No.:** **US D1,007,295 S**
(45) **Date of Patent:** **** Dec. 12, 2023**

(54) **SHOPPING BAG FOR PACKAGING**

(71) Applicant: **MARINE INNOVATION CO., LTD,**
Ulsan (KR)

(72) Inventor: **Wan Young Cha,** Busan (KR)

(73) Assignee: **MARINE INNOVATION CO., LTD,**
Ulsan (KR)

(**) Term: **15 Years**

(21) Appl. No.: **29/818,100**

(22) Filed: **Dec. 7, 2021**

(30) **Foreign Application Priority Data**

Sep. 8, 2021 (KR) 30-2021-0042793

(51) **LOC (14) Cl.** **09-03**

(52) **U.S. Cl.**
USPC **D9/415**

(58) **Field of Classification Search**
USPC D9/414-420, 425, 756, 702, 732, 737,
D9/708

CPC B65D 75/22; A45C 11/20
See application file for complete search history.

(56) **References Cited**

U.S. PATENT DOCUMENTS

- D470,047 S * 2/2003 Lee D9/418
- 6,612,440 B1 * 9/2003 Agulnik A45C 11/20
220/4.23
- D747,963 S * 1/2016 Scalise D9/425
- D798,738 S * 10/2017 Tilahun D9/737
- D814,941 S * 4/2018 Conrardy D9/708

- D840,800 S * 2/2019 Farrell D9/415
- D842,092 S * 3/2019 Toledo D9/425
- D850,289 S * 6/2019 McCay D9/737
- D876,217 S * 2/2020 Nouri D9/425
- D902,054 S * 11/2020 Bhalla D9/732
- D916,598 S * 4/2021 Liu D9/702
- D940,551 S * 1/2022 Mirchandani D9/420
- D957,950 S * 7/2022 Velázquez Navarro D9/756
- D975,537 S * 1/2023 Budd D9/425
- 2005/0133398 A1 * 6/2005 Schwester B65D 75/22
206/463
- 2006/0237454 A1 * 10/2006 Clarke B65D 75/22
220/4.21

* cited by examiner

Primary Examiner — Rhea Shields

(74) *Attorney, Agent, or Firm* — NSIP Law

(57) **CLAIM**

The ornamental design for a shopping bag for packaging, as shown and described.

DESCRIPTION

FIG. 1 is a front perspective view of a shopping bag for packaging showing my new design;
 FIG. 2 is a front view thereof;
 FIG. 3 is a rear view thereof;
 FIG. 4 is a left-side view thereof;
 FIG. 5 is a right-side view thereof;
 FIG. 6 is a top view thereof;
 FIG. 7 is a bottom view thereof;
 FIG. 8 is a front perspective view thereof showing the shopping bag for packaging in a closed position; and,
 FIG. 9 is a right-side view thereof showing the shopping bag for packaging in a closed position.

1 Claim, 8 Drawing Sheets

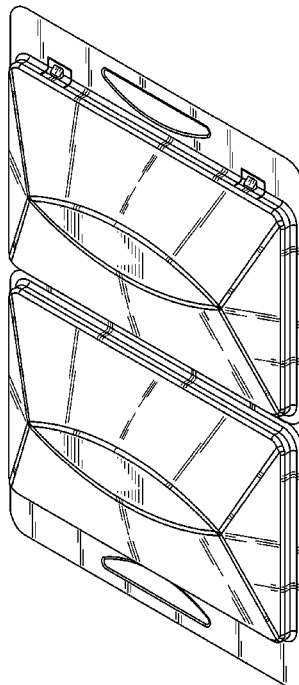


FIG. 1

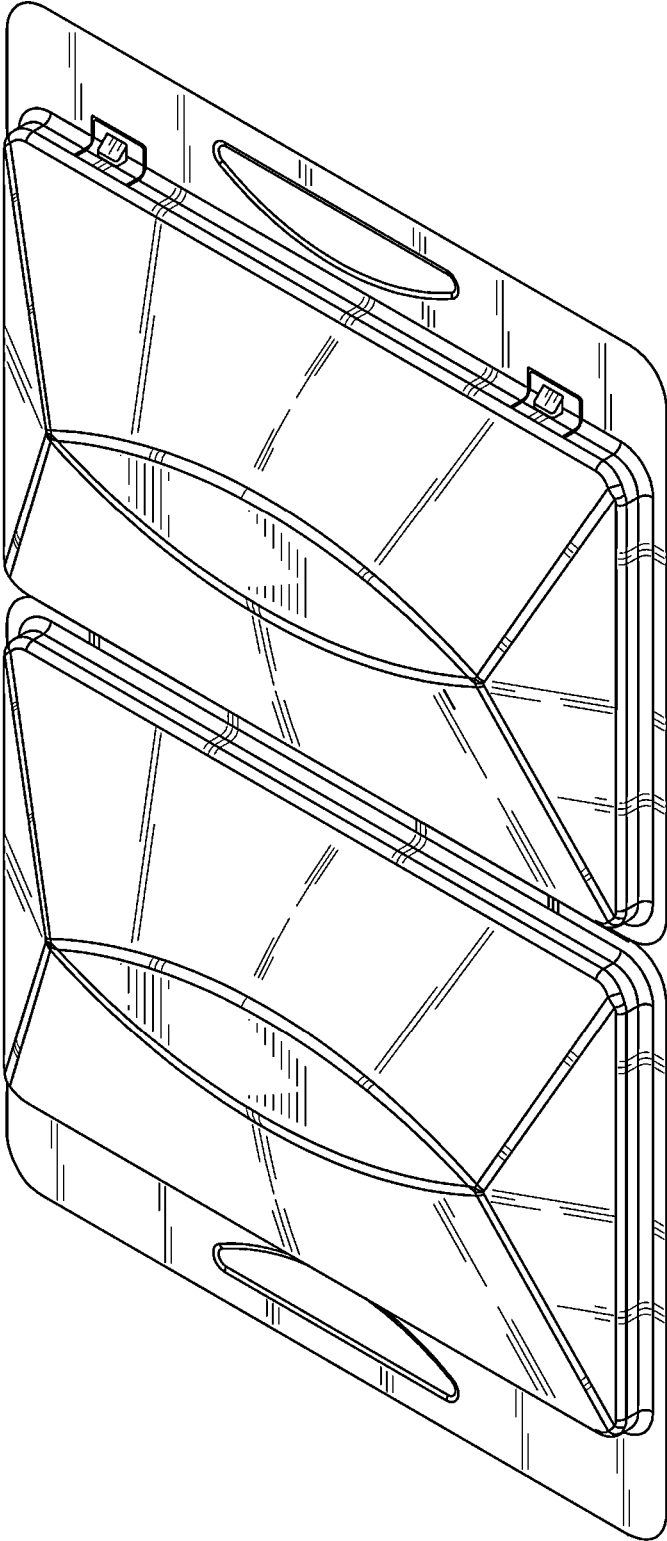


FIG. 2

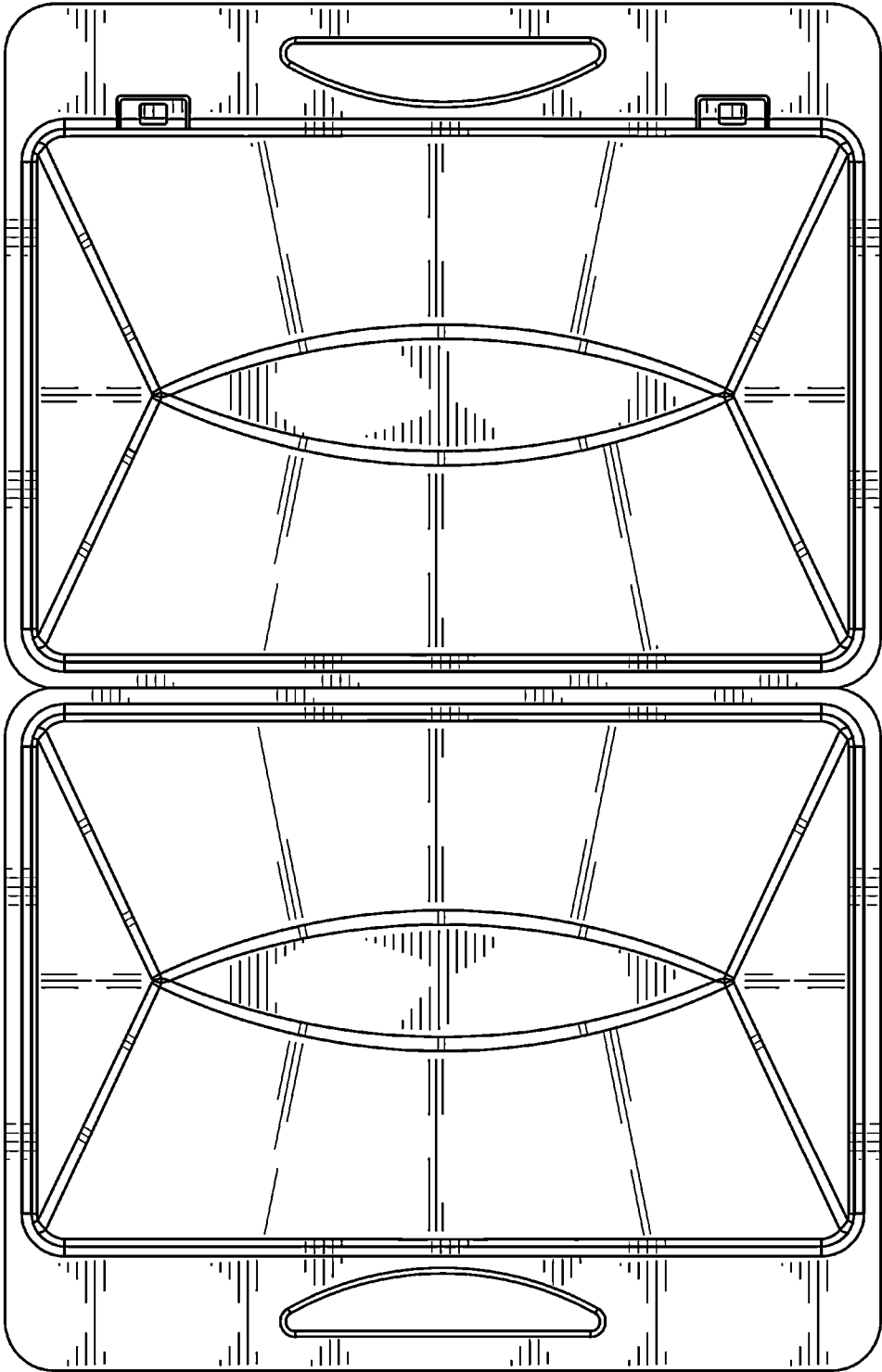


FIG. 3

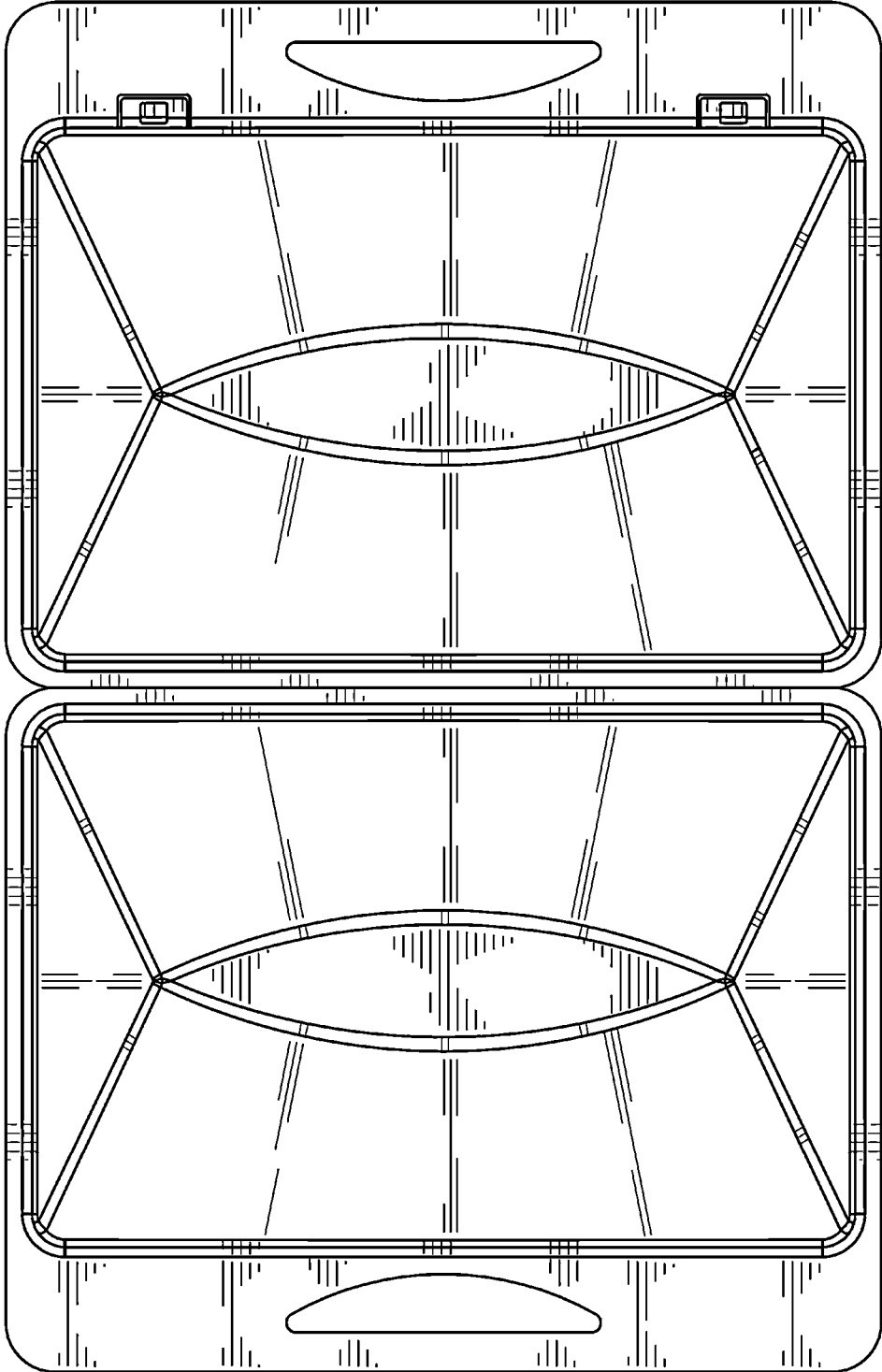


FIG. 4

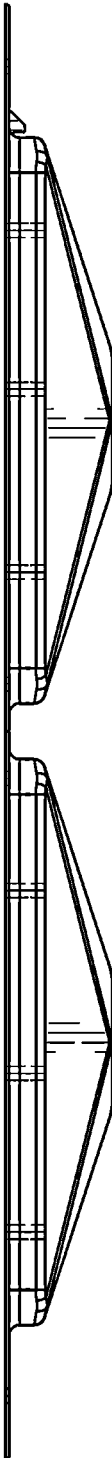


FIG. 5

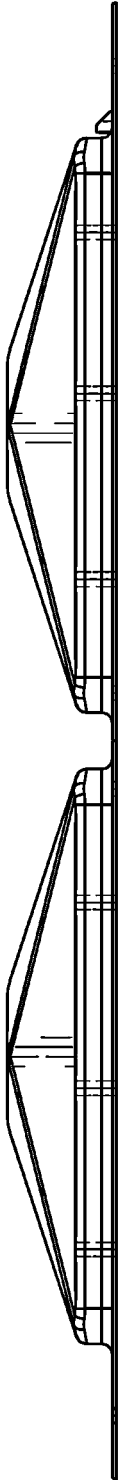


FIG. 6

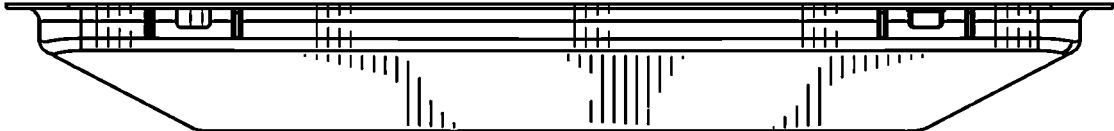


FIG. 7

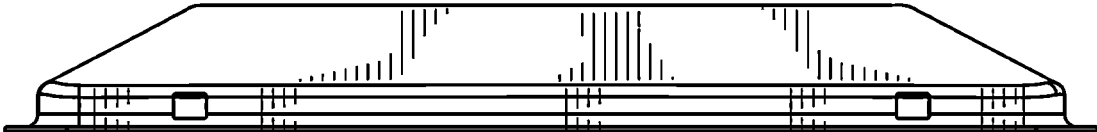


FIG. 8

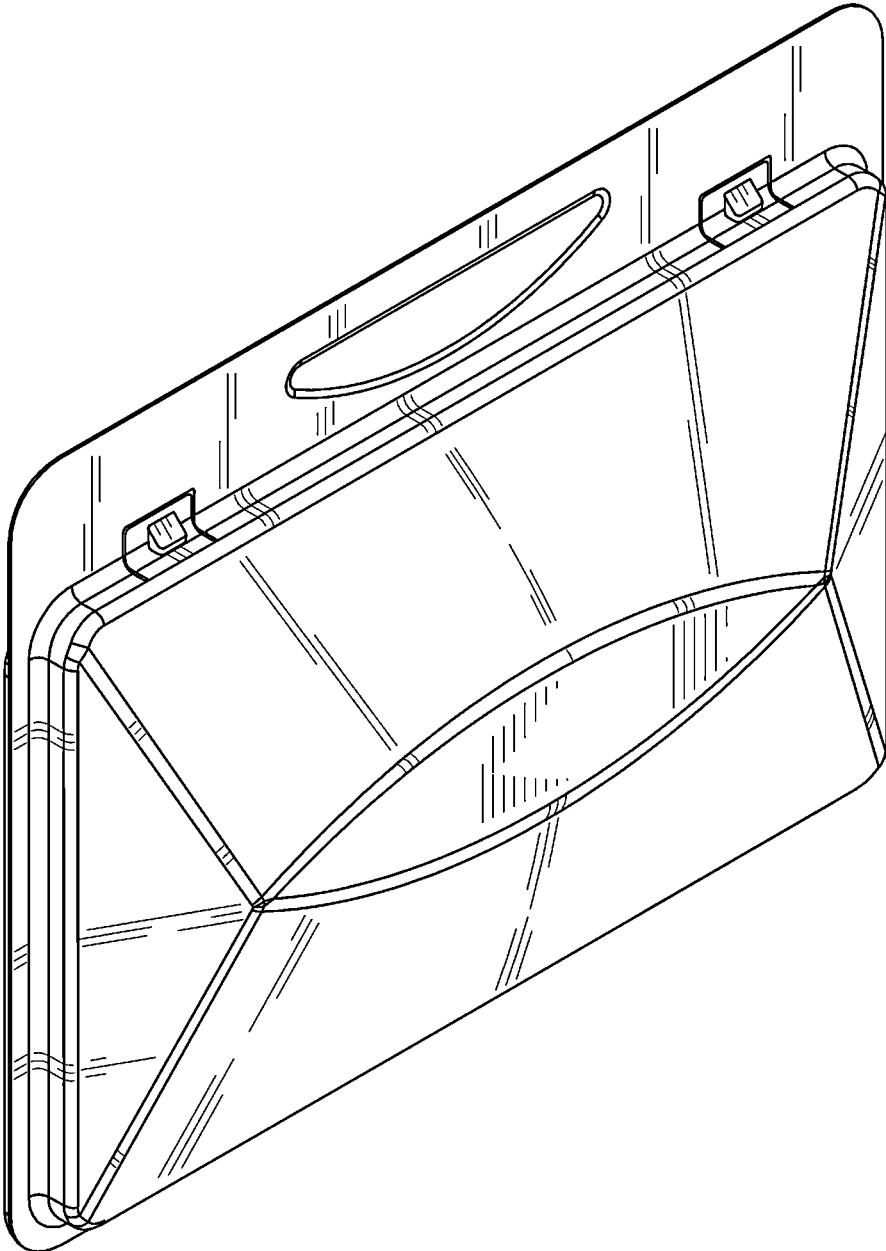


FIG. 9

