



US00D921536S

(12) **United States Design Patent**  
**Chuang et al.**

(10) **Patent No.:** **US D921,536 S**

(45) **Date of Patent:** **\*\* Jun. 8, 2021**

(54) **MOTORCYCLE**

(71) Applicant: **KWANG YANG MOTOR CO., LTD.**,  
Kaohsiung (TW)

(72) Inventors: **Ping-Huan Chuang**, Kaohsiung (TW);  
**Chu-Chung Yang**, Kaohsiung (TW);  
**Cheng-Chi Liu**, Kaohsiung (TW)

(73) Assignee: **KWANG YANG MOTOR CO., LTD.**,  
Kaohsiung (TW)

(\*\*) Term: **15 Years**

(21) Appl. No.: **29/712,758**

(22) Filed: **Nov. 11, 2019**

(30) **Foreign Application Priority Data**

Sep. 27, 2019 (TW) ..... 108306021

(51) **LOC (13) Cl.** ..... **12-11**

(52) **U.S. Cl.**  
USPC ..... **12/110**

(58) **Field of Classification Search**  
USPC ..... D12/110, 111, 117; D21/432, 538  
CPC ..... B62K 11/00; B62K 11/02; B62K 11/04;  
B62K 11/10; B62K 17/00; B62K 19/00;  
B62K 2202/00

See application file for complete search history.

(56) **References Cited**

**U.S. PATENT DOCUMENTS**

D333,641 S *	3/1993	Sakaguchi	.....	D12/110
D496,309 S *	9/2004	Fukamoto	.....	D12/110
D504,844 S *	5/2005	Sasanami	.....	D12/110
D549,137 S *	8/2007	Heinrich	.....	D12/110
D581,839 S *	12/2008	Sasanami	.....	D12/110
D582,316 S *	12/2008	Stenegard	.....	D12/110
D591,205 S *	4/2009	Heinrich	.....	D12/110
D594,786 S *	6/2009	Sakata	.....	D12/110

D597,893 S *	8/2009	Hung	.....	D12/110
D601,458 S *	10/2009	Nagao	.....	D12/110
D610,045 S *	2/2010	Lambri	.....	D12/110
D666,533 S *	9/2012	Wilm	.....	D12/110
D686,538 S *	7/2013	Nagao	.....	D12/110
D689,406 S *	9/2013	Yasuhara	.....	D12/110
D694,673 S *	12/2013	Katagiri	.....	D12/110
D723,431 S *	3/2015	Noguchi	.....	D12/110
D732,437 S *	6/2015	Yang	.....	D12/110
D848,904 S *	5/2019	Chuang	.....	D12/110
D884,562 S *	5/2020	Usami	.....	D12/110

(Continued)

**OTHER PUBLICATIONS**

“Kawasaki Ninja® 650” Kawaski., posted date Oct. 11, 2018 [online], [retrieved on Dec. 9, 2020]. Retrieved from the Internet <URL: <https://www.kawasaki.com/en-US/motorcycle/ninja/sport/ninja-650>> (Year: 2018).\*

(Continued)

*Primary Examiner* — Darlington Ly

*Assistant Examiner* — Nasim Abdulaziz Ali

(74) *Attorney, Agent, or Firm* — Leong C. Lei

(57) **CLAIM**

The ornamental design for a motorcycle, as shown and described.

**DESCRIPTION**

FIG. 1 is a perspective view of a motorcycle embodying our new design;

FIG. 2 is a front elevational view thereof;

FIG. 3 is a rear elevational view thereof;

FIG. 4 is a right side elevational view thereof;

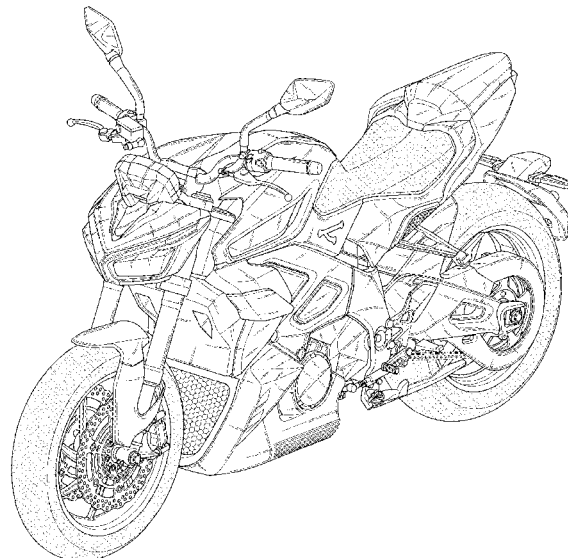
FIG. 5 is a left side elevational view thereof;

FIG. 6 is a top plan view thereof; and,

FIG. 7 is a bottom plan view thereof.

The broken lines shown represent portions of the motorcycle that form no part of the claimed design.

**1 Claim, 7 Drawing Sheets**



(56)

**References Cited**

U.S. PATENT DOCUMENTS

D895,486 S \* 9/2020 McGinley ..... D12/110  
D895,487 S \* 9/2020 Richards ..... D12/110  
2020/0102041 A1\* 4/2020 Pelz ..... B62K 11/04  
2020/0247494 A1\* 8/2020 Ichikawa ..... B60L 53/18  
2020/0277016 A1\* 9/2020 Kobayashi ..... B62J 43/20

OTHER PUBLICATIONS

“2019 G 310 GS” BMW., posted date Nov. 10, 2017 [online], [retrieved on Dec. 9, 2020]. Retrieved from the Internet <URL: <https://www.bmwmotorcycles.com/en/models/adventure/g310gs.html>> (Year: 2017).\*

“2021 S 1000 XR” BMW., posted date Nov. 5, 2019 [online], [retrieved on Dec. 9, 2020]. Retrieved from the Internet <URL: <https://www.bmwmotorcycles.com/en/models/adventure/s1000xr.html>> (Year: 2020).\*

“8 Best Newest 2020 BMW Motorcycles” (via YouTube), posted date May 19, 2020 [online], [retrieved on Dec. 9, 2020 ]. Video retrieved from internet <URL:<https://www.youtube.com/watch?v=T4eAPQqL0zY>> (Year: 2020).\*

\* cited by examiner

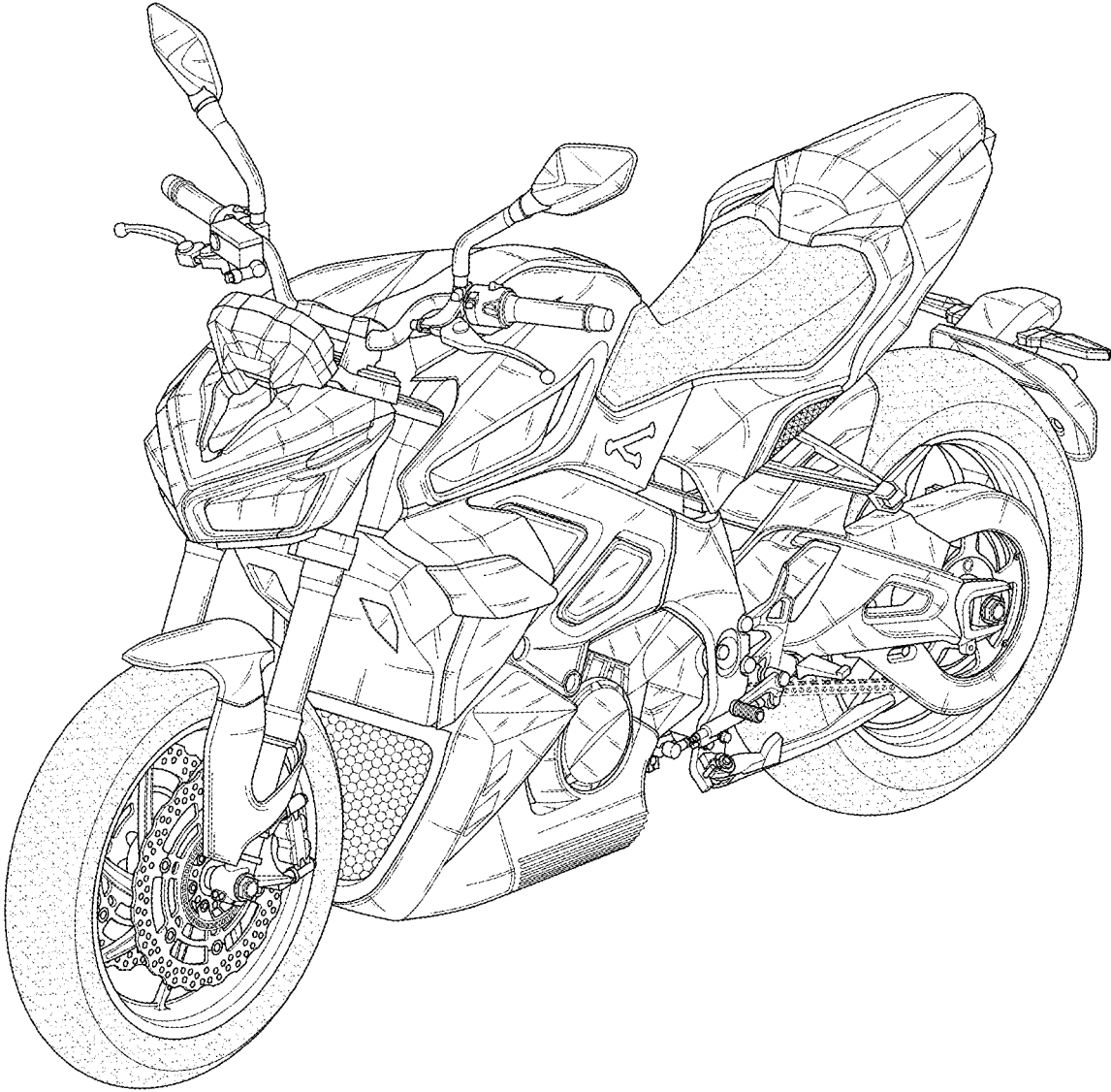


FIG. 1

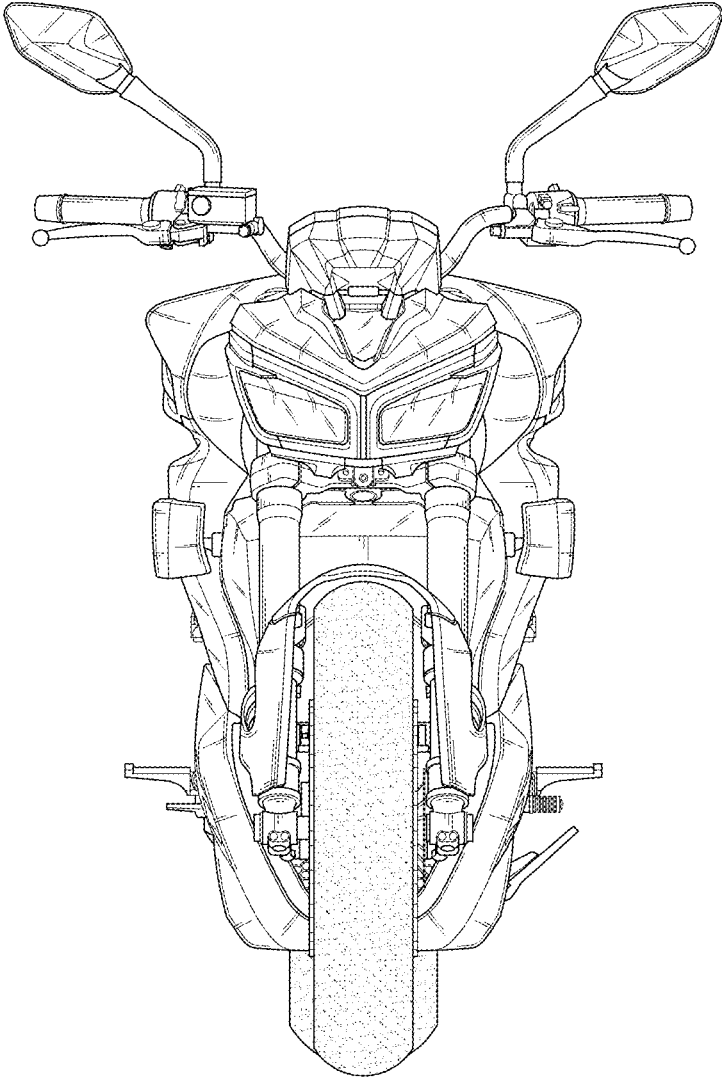


FIG. 2

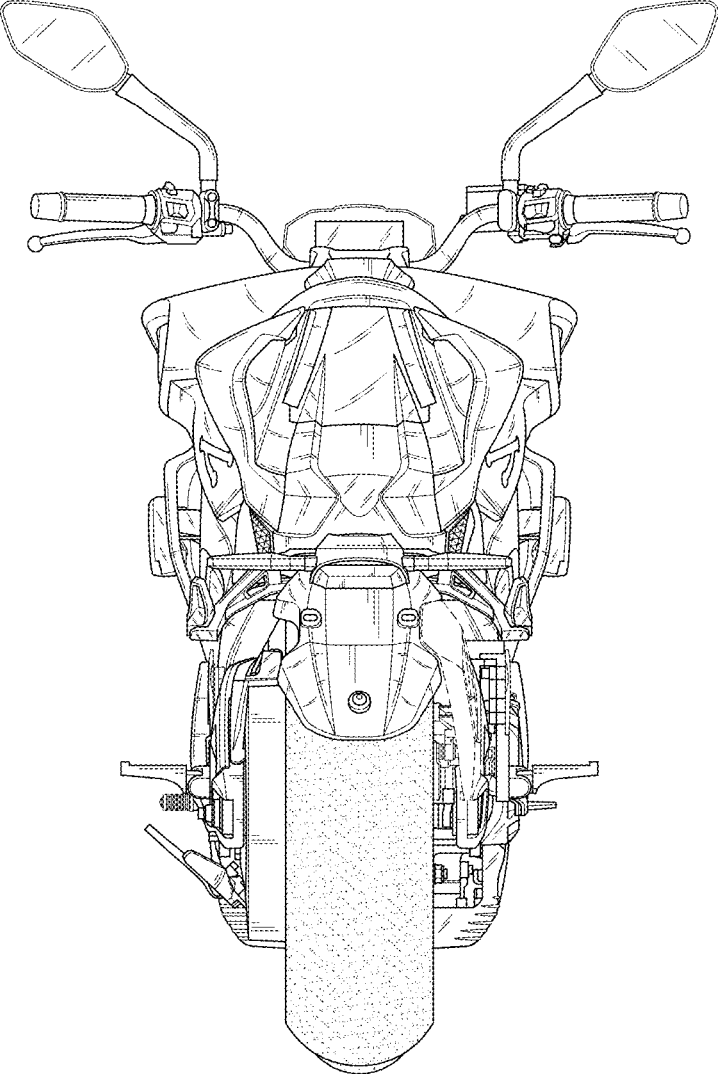


FIG. 3

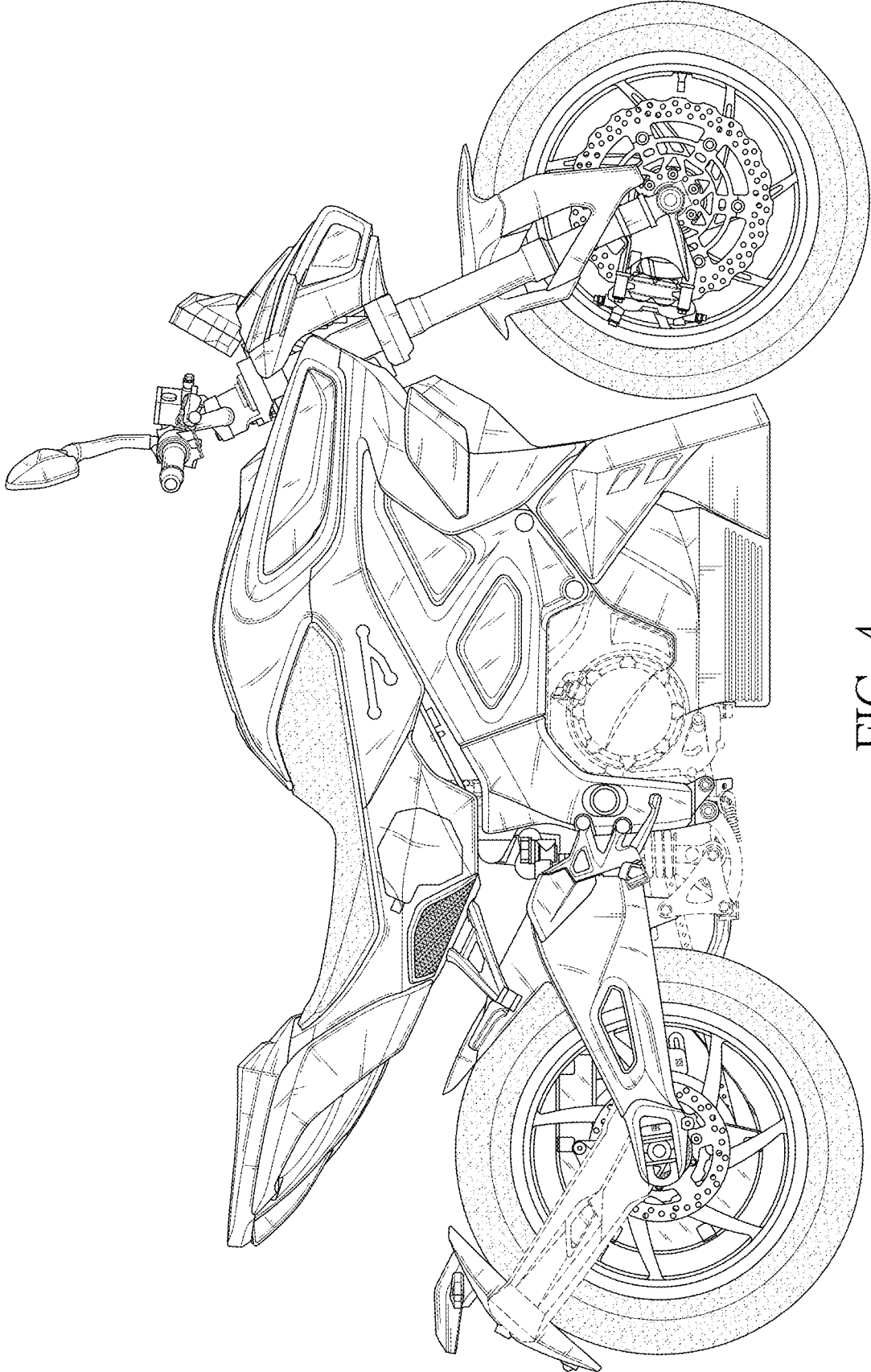


FIG. 4

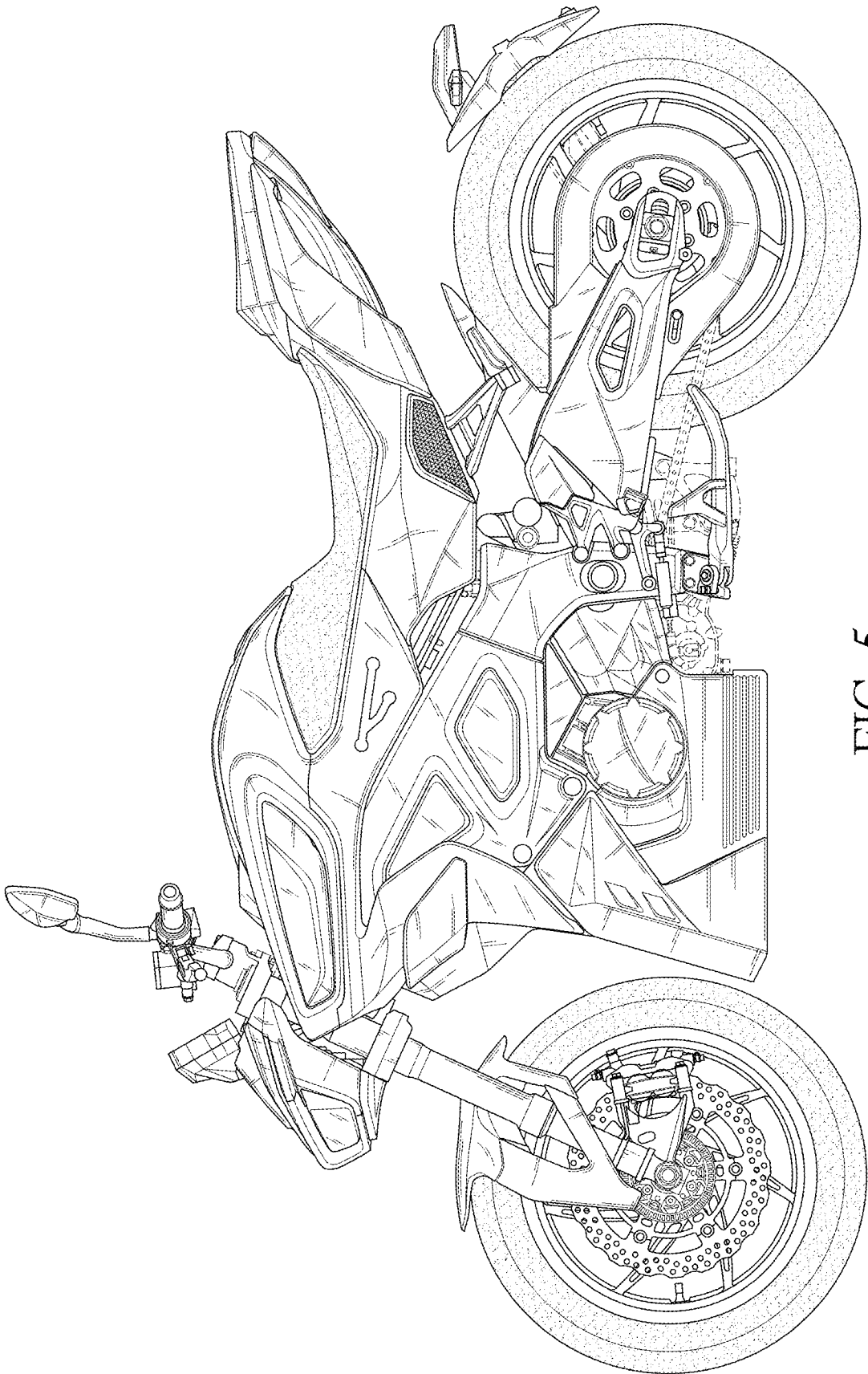


FIG. 5

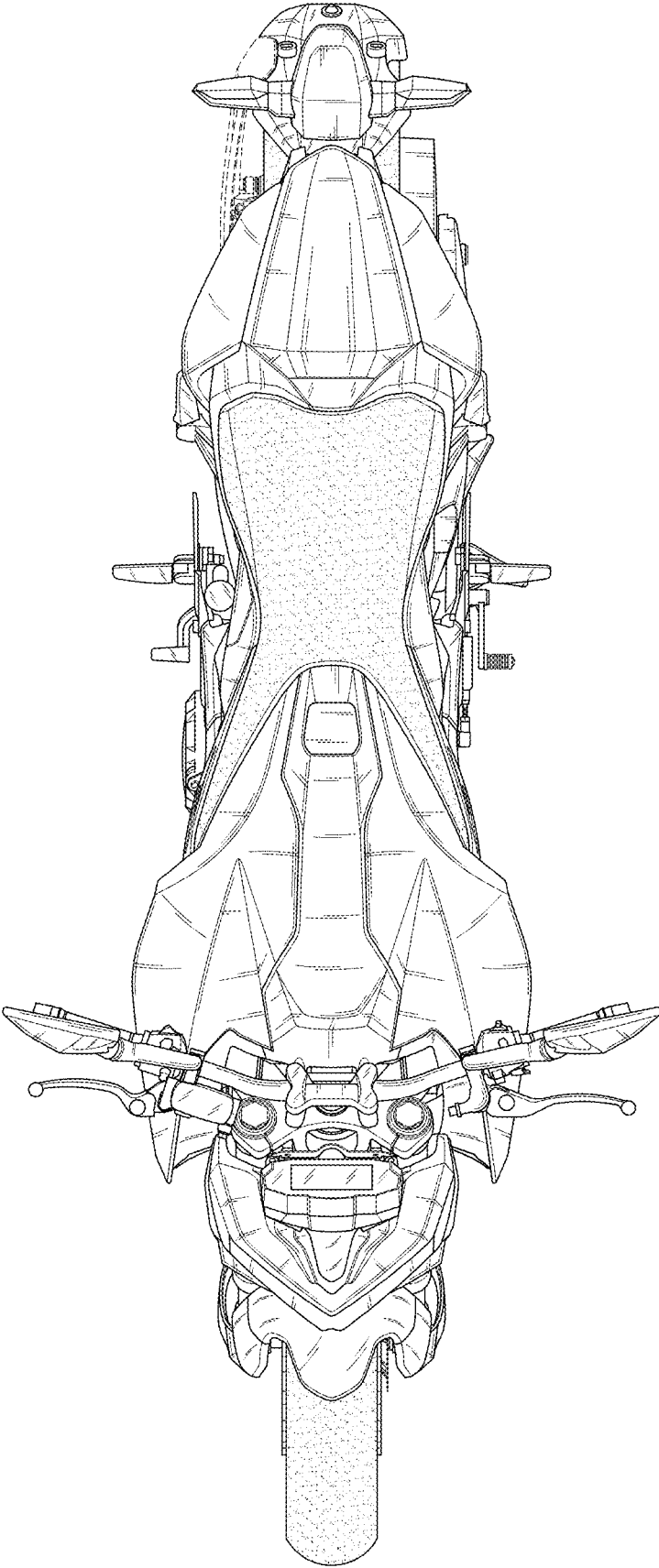


FIG. 6



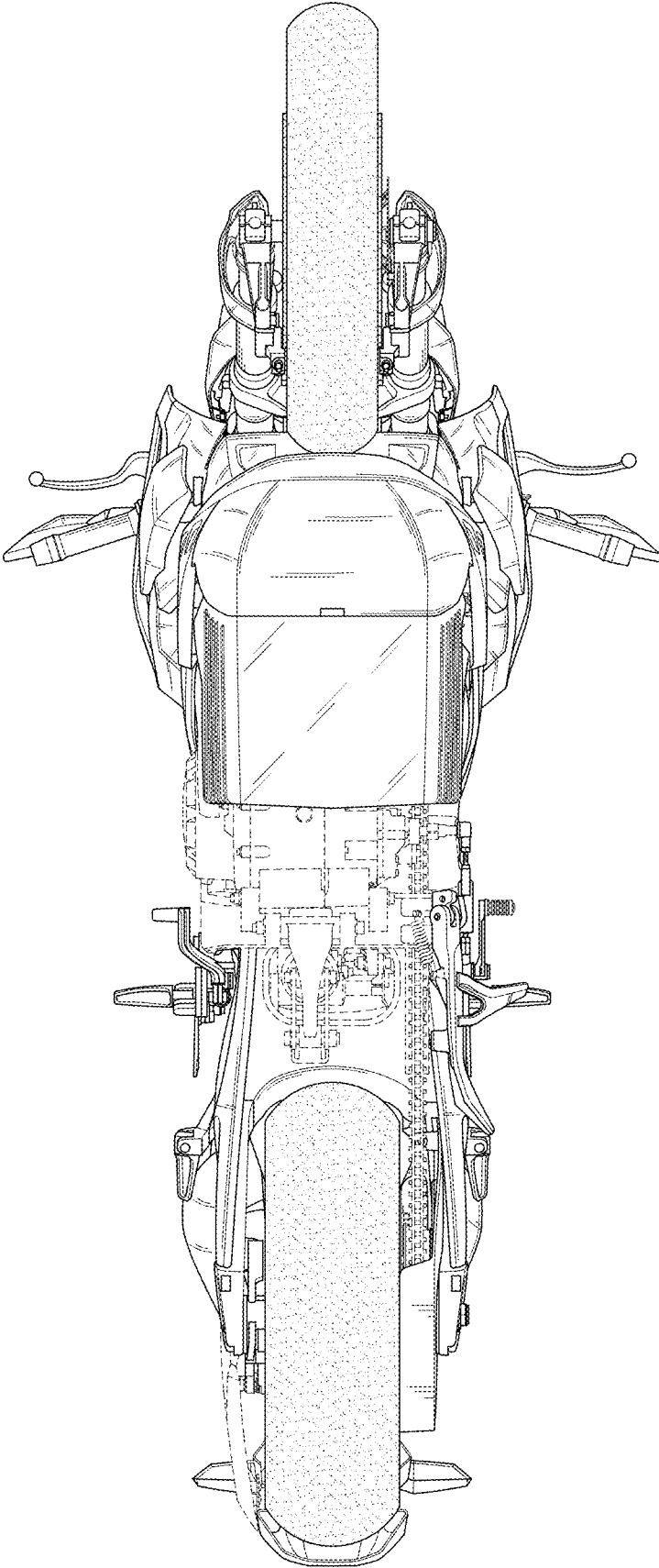


FIG. 7