



(12) **United States Design Patent**
Beach

(10) **Patent No.:** **US D892,949 S**
(45) **Date of Patent:** **** Aug. 11, 2020**

(54) **STRETCHING APPARATUS**
(71) Applicant: **Ken Beach Physical Therapy Services, LLC, Albuquerque, NM (US)**
(72) Inventor: **Kenneth Beach, Albuquerque, NM (US)**
(73) Assignee: **Ken Beach Physical Therapy Services, LLC, Albuquerque, NM (US)**
(**) Term: **15 Years**
(21) Appl. No.: **29/681,239**

6,767,313 B2 * 7/2004 Sayce A63B 69/18 482/146
6,945,920 B1 * 9/2005 Kemery A63B 21/0004 482/146
D556,842 S * 12/2007 Webber D21/694
D628,247 S * 11/2010 de Boers D21/671
D646,734 S * 10/2011 Findeisen D21/685
D685,440 S * 7/2013 Tuttle D21/680
D691,221 S * 10/2013 Potts D21/680
D698,400 S * 1/2014 Potts D21/680
D711,984 S * 8/2014 Smyth D21/686
D738,970 S * 9/2015 Maribona D21/684
D741,961 S * 10/2015 Maribona D21/684
D774,653 S * 12/2016 Christmas D12/128
D779,675 S * 2/2017 Chapman D24/188
D779,676 S * 2/2017 Chapman D24/188
D798,397 S * 9/2017 Bellevue D21/686

(Continued)

(22) Filed: **Feb. 22, 2019**
(51) **LOC (12) Cl.** **21-02**
(52) **U.S. Cl.**
USPC **D21/694**
(58) **Field of Classification Search**
USPC D21/671, 680, 685, 686, 694, 803;
D24/188, 192, 212, 213
CPC ... A63B 2022/185; A63B 22/18; A63B 69/18;
A63B 69/0022; A61H 15/00
See application file for complete search history.

Primary Examiner — Cynthia Ramirez
Assistant Examiner — Michael A Maharajh
(74) *Attorney, Agent, or Firm* — Peacock Law P.C.;
Deborah Peacock; Justin Jackson

(57) **CLAIM**

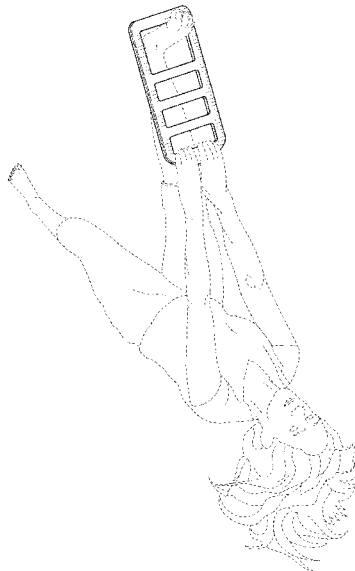
The ornamental design for a stretching apparatus, as shown and described.

DESCRIPTION

FIG. 1 is a perspective view of a stretching device showing my new design, shown in a condition of use;
FIG. 2 is perspective view thereof;
FIG. 3 is a front view, the rear view is a mirror image thereof;
FIG. 4 is a left side view, the right side view is a mirror image thereof;
FIG. 5 is a bottom view thereof; and,
FIG. 6 is a top view thereof.
The human figure shown in broken lines in FIG. 1 is for the purpose of illustrating environmental structure, which form no part of the claimed design.

(56) **References Cited**
U.S. PATENT DOCUMENTS
2,767,707 A * 10/1956 Toivonen A61H 15/00 601/118
D259,993 S * 7/1981 Kunze D32/67
D319,272 S * 8/1991 Rushatz D21/686
D393,298 S * 4/1998 Kuo D12/122
D394,481 S * 5/1998 DeLisse D21/694
D398,345 S * 9/1998 Lin D21/685
D406,345 S * 3/1999 Huttner D24/158
D410,743 S * 6/1999 Mekjian D24/183
6,543,769 B1 * 4/2003 Podoloff A63B 21/0004 273/148 B
6,695,755 B1 * 2/2004 Huang A63B 22/18 482/146

1 Claim, 4 Drawing Sheets



(56)

References Cited

U.S. PATENT DOCUMENTS

D806,187 S *	12/2017	East	D21/686
D848,623 S *	5/2019	Franché	D24/188
2009/0098983 A1 *	4/2009	Hoffman	A63B 69/0022 482/70

* cited by examiner

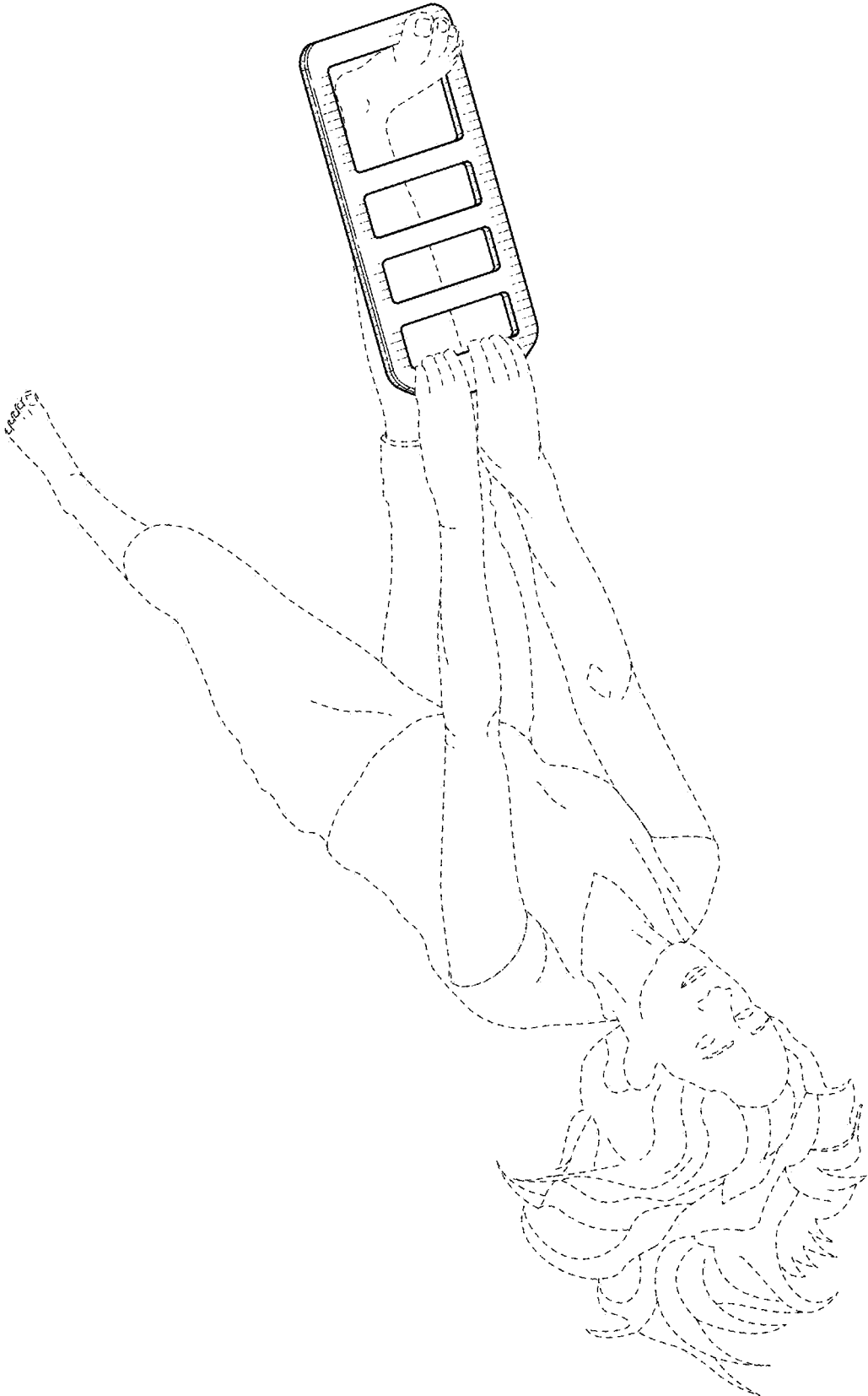


FIG. 1

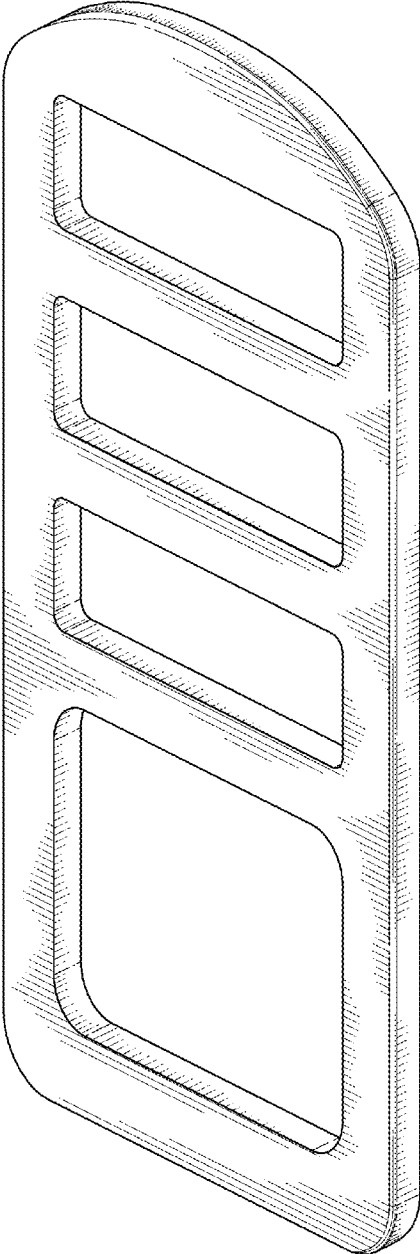


FIG. 2

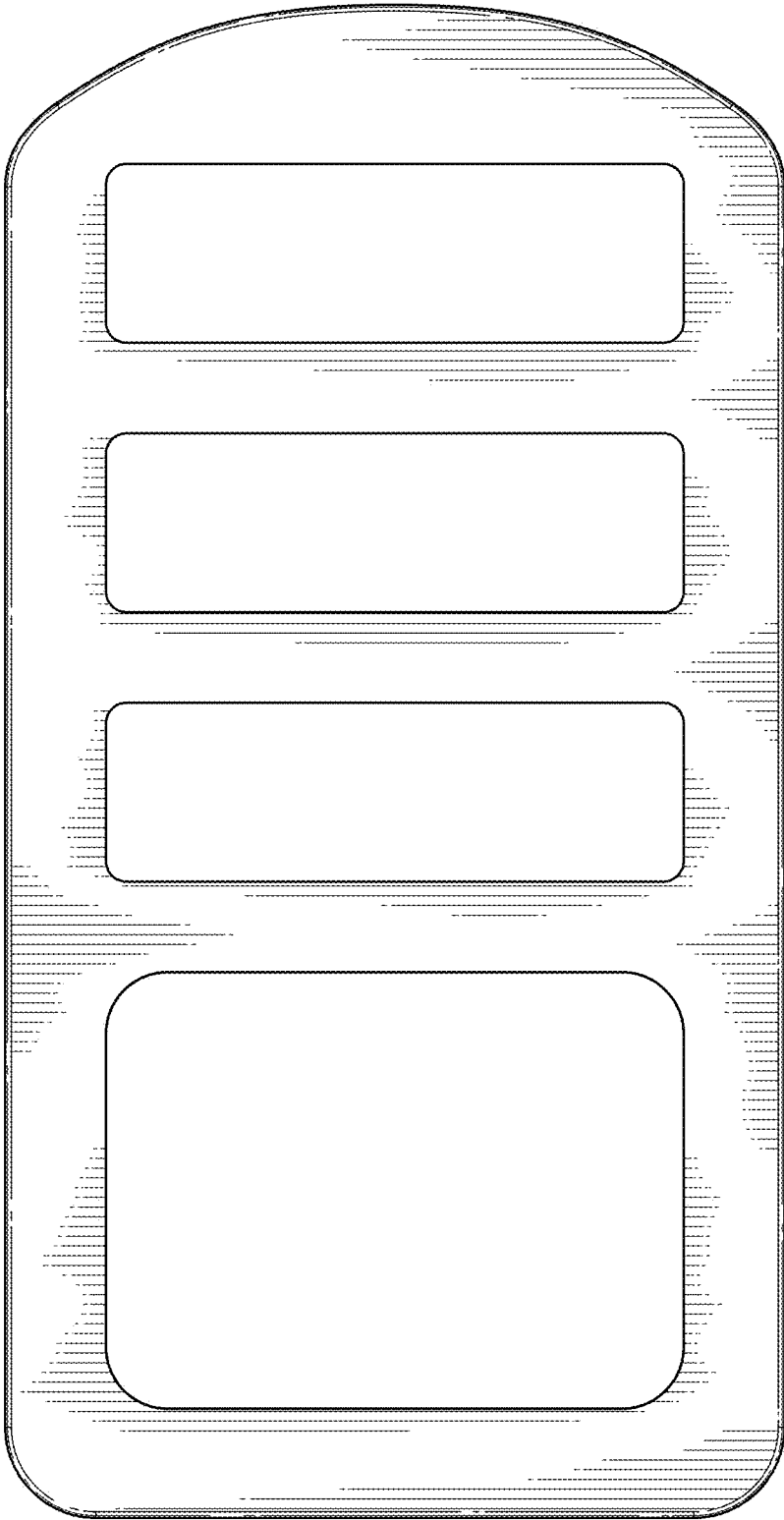


FIG. 3



FIG. 4



FIG. 5



FIG. 6