



US00D723502S

(12) **United States Design Patent**  
**Chun et al.**

(10) **Patent No.:** **US D723,502 S**  
(45) **Date of Patent:** **\*\* Mar. 3, 2015**

(54) **KEYPHONE**  
(71) Applicant: **Samsung Electronics Co., Ltd.**,  
Suwon-si, Gyeonggi-do (KR)  
(72) Inventors: **Bum-Ho Chun**, Seoul (KR); **Tai-Hyung Ju**, Seoul (KR)  
(73) Assignee: **Samsung Electronics Co., Ltd.** (KR)  
(\*\*) Term: **14 Years**  
(21) Appl. No.: **29/473,829**  
(22) Filed: **Nov. 26, 2013**

D303,114 S \* 8/1989 Danielson et al. .... D14/142  
D319,641 S \* 9/1991 Sugi et al. .... D14/151  
D366,484 S \* 1/1996 Levin ..... D14/151  
D405,447 S \* 2/1999 Landry et al. .... D14/151  
D427,985 S \* 7/2000 Takayama et al. .... D14/151  
D428,000 S \* 7/2000 Takayama et al. .... D14/140.9  
6,711,257 B1 \* 3/2004 Vassallo et al. .... 379/387.01  
D490,394 S \* 5/2004 Taniguchi et al. .... D14/151  
D490,795 S \* 6/2004 Watanabe et al. .... D14/151  
D499,078 S \* 11/2004 Abe et al. .... D14/151  
D499,079 S \* 11/2004 Abe et al. .... D14/151  
D551,203 S \* 9/2007 Abe et al. .... D14/151  
D552,071 S \* 10/2007 Park et al. .... D14/151  
D558,181 S \* 12/2007 Takada et al. .... D14/151  
D577,706 S \* 9/2008 Andrews et al. .... D14/151  
D582,886 S \* 12/2008 Woo et al. .... D14/151  
7,483,531 B1 \* 1/2009 Gordon ..... 379/435

(Continued)

(30) **Foreign Application Priority Data**  
Jun. 25, 2013 (KR) ..... 30-2013-0032538

*Primary Examiner* — Susan Bennett Hattan  
*Assistant Examiner* — Marie Fast Horse  
(74) *Attorney, Agent, or Firm* — Cantor Colburn LLP

(51) **LOC (10) Cl.** ..... **14-03**  
(52) **U.S. Cl.**

(57) **CLAIM**  
The ornamental design for a keyphone, as shown and described.

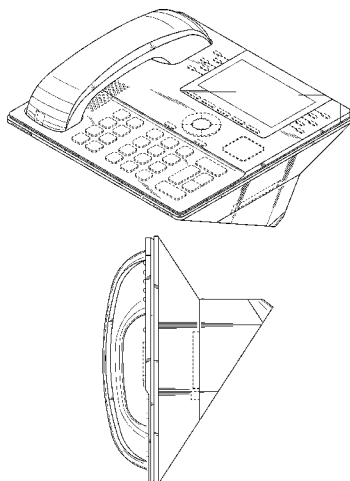
USPC ..... **D14/151**; D14/142; D14/130  
(58) **Field of Classification Search**  
CPC .... H04M 1/247; H04M 1/0289; H04M 1/02;  
H04M 1/04; H04M 1/72502; H04M 1/2478;  
H04M 11/04; H04M 2201/38; H04Q  
2213/13334; H04Q 2213/13096; Y10S 379/90  
USPC ..... D14/151, 130, 140.7, 140.8, 142, 144,  
D14/149, 150, 155, 158, 159, 188, 217, 226,  
D14/229, 240, 251–253, 399, 329;  
D21/517; 455/557, 575.1, 74.1;  
710/303; D13/107, 108, 168; D10/65;  
379/88.17, 90.01, 93.17, 387.01,  
379/388.02, 419–420.04, 420.02,  
379/428.01–428.04, 434–436, 440,  
379/446–447, 454–455, 93.23  
See application file for complete search history.

**DESCRIPTION**

FIG. 1 is a top front perspective view of a keyphone showing our new design;  
FIG. 2 is a front view thereof;  
FIG. 3 is a rear view thereof;  
FIG. 4 is a side view thereof;  
FIG. 5 is another side view thereof;  
FIG. 6 is a top view thereof;  
FIG. 7 is a bottom view thereof;  
FIG. 8 is another side view thereof, in which the keyphone is shown in another position; and,  
FIG. 9 is another side view thereof, in which the keyphone is shown in another position showing the base portion rotated 180 degrees.  
The broken lines illustrating portions of the keyphone are for environmental purposes only and form no part of the claimed design.

(56) **References Cited**  
U.S. PATENT DOCUMENTS  
D290,117 S \* 6/1987 Nogami et al. .... D14/151  
D293,440 S \* 12/1987 Britz ..... D14/149  
D300,927 S \* 5/1989 Lindinger-Lowy et al. . D14/150

**1 Claim, 7 Drawing Sheets**



(56)

References Cited

U.S. PATENT DOCUMENTS

D588,573	S *	3/2009	West et al. ....	D14/151	D616,843	S *	6/2010	Jones et al. ....	D14/130
D594,439	S *	6/2009	Jeon et al. ....	D14/151	D657,773	S *	4/2012	Corsini et al. ....	D14/151
D596,612	S *	7/2009	Akatsu et al. ....	D14/151	D675,592	S *	2/2013	Fuxen .....	D14/151
D608,759	S *	1/2010	Chun et al. ....	D14/151	D676,411	S *	2/2013	Taniguchi et al. ....	D14/151
D609,212	S *	2/2010	Turnbull et al. ....	D14/151	2004/0234071	A1 *	11/2004	Bae et al. ....	379/419
D611,031	S *	3/2010	Lesniak et al. ....	D14/151	2008/0240416	A1 *	10/2008	Abramson et al. ....	379/428.03
D613,724	S *	4/2010	Kao et al. ....	D14/151	2010/0322410	A1 *	12/2010	Lin et al. ....	379/428.03
					2011/0216898	A1 *	9/2011	Huang et al. ....	379/428.02
					2012/0321057	A1 *	12/2012	Goodman et al. ....	379/90.01
					2014/0064477	A1 *	3/2014	Chiang .....	379/436

\* cited by examiner

FIG. 1

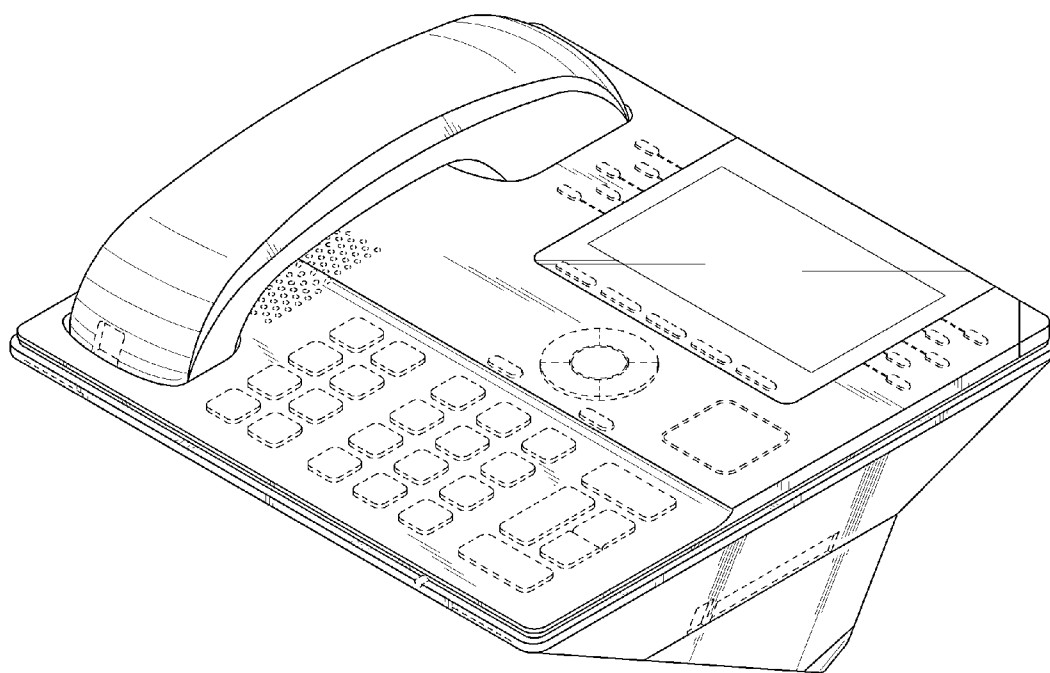


FIG.2

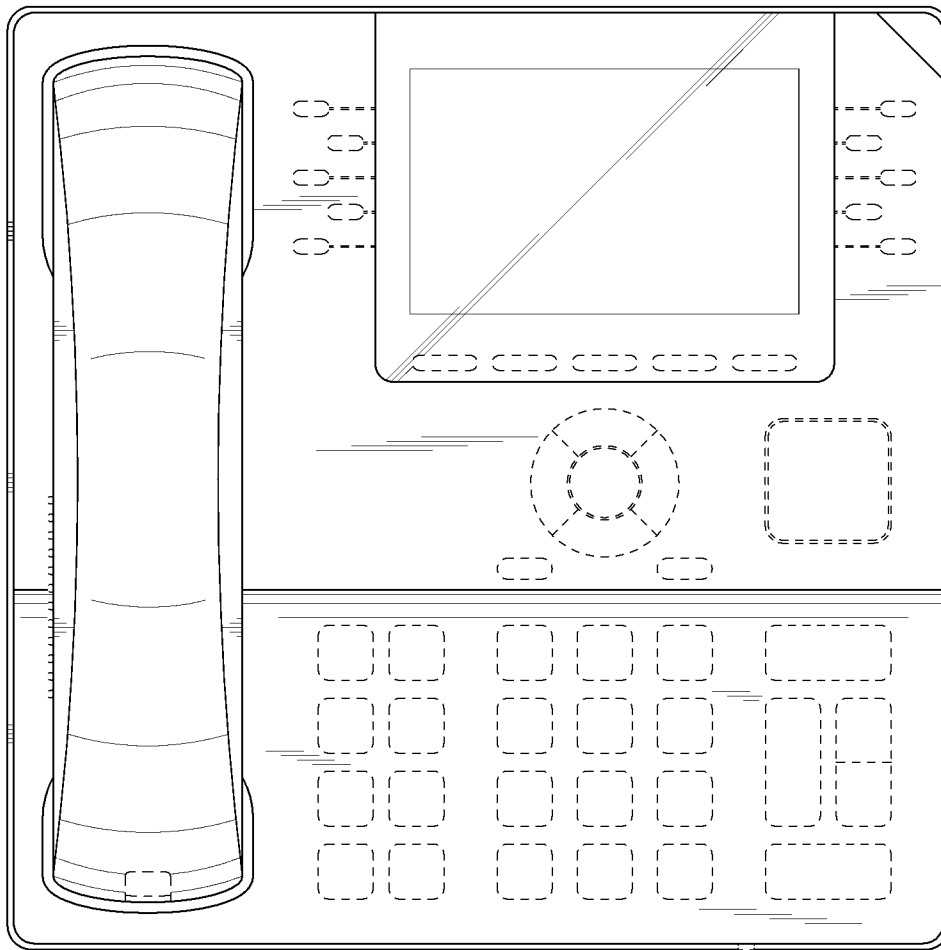


FIG.3

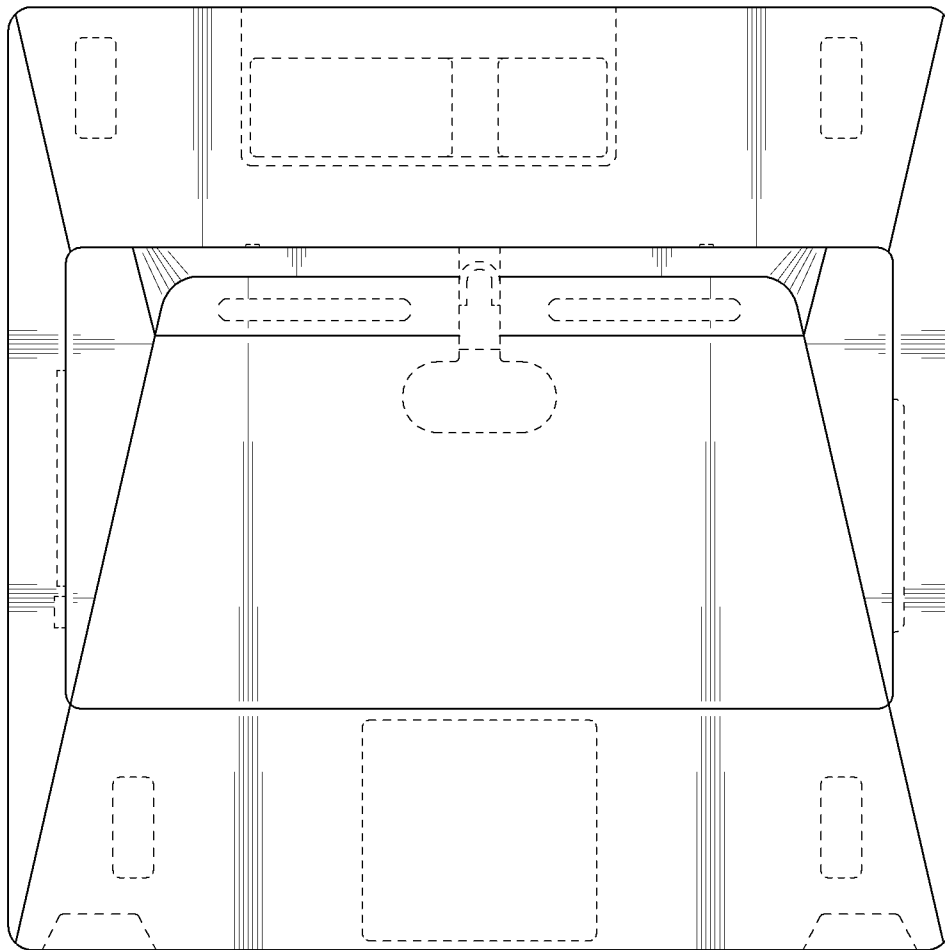


FIG.4

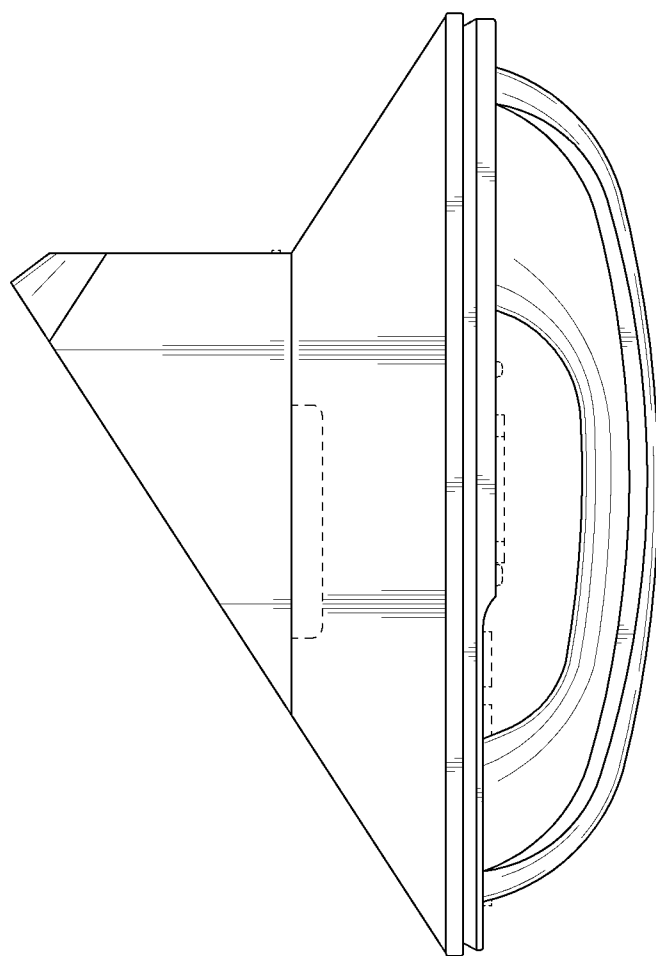


FIG.5

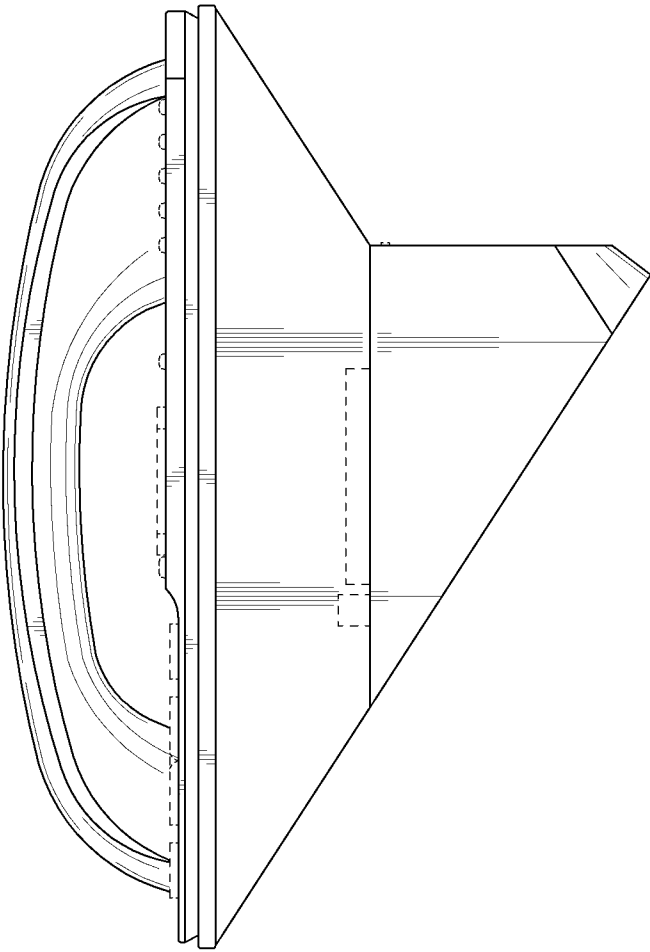


FIG.6

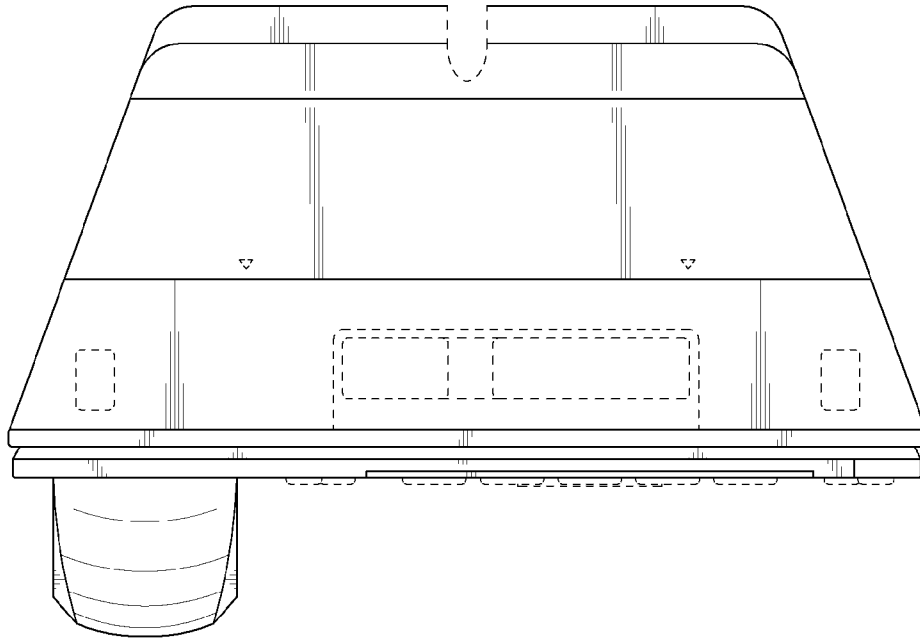


FIG.7

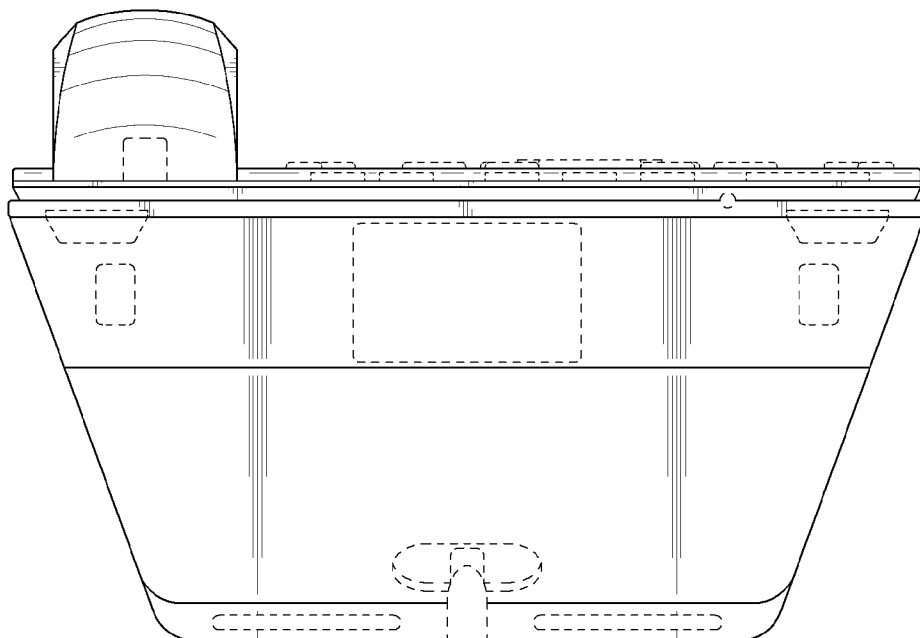




FIG.8

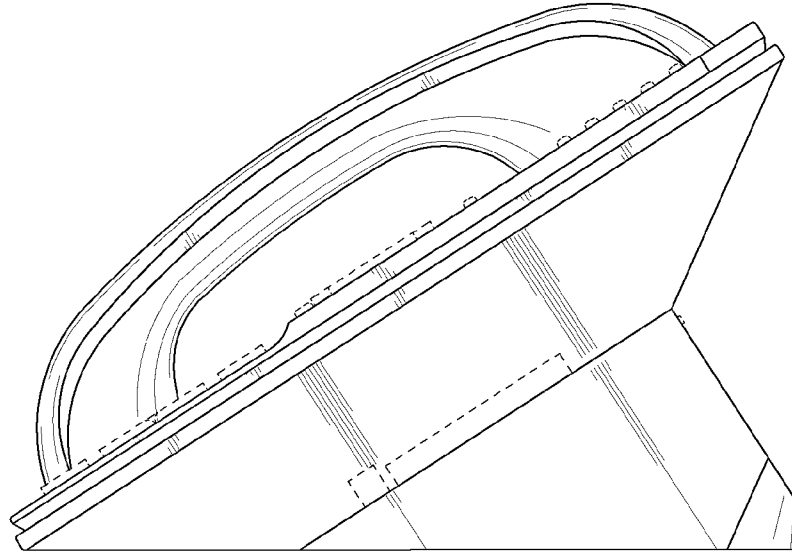


FIG.9

