



US00D844083S

(12) **United States Design Patent**
Schwarz

(10) **Patent No.:** **US D844,083 S**

(45) **Date of Patent:** **** Mar. 26, 2019**

(54) **THREE-TEAM GAME GOAL**

(71) Applicant: **Jeremiah Schwarz**, Weston, CT (US)

(72) Inventor: **Jeremiah Schwarz**, Weston, CT (US)

(**) Term: **15 Years**

(21) Appl. No.: **29/595,326**

(22) Filed: **Feb. 27, 2017**

(51) **LOC (11) Cl.** **21-02**

(52) **U.S. Cl.**
USPC **D21/705**; D21/699

(58) **Field of Classification Search**
USPC 273/343, 348, 392, 394, 395, 396, 397,
273/398, 400, 401, 402, 406, 407;
473/172, 197, 415, 421, 456, 478;
D21/302, 303, 304, 305, 306, 698, 699,
D21/700, 701, 702, 703, 704, 705, 780,
D21/788, 789, 790, 834, 835, 836, 837,
D21/838, 839; D22/135
CPC A63B 63/00; A63B 71/022; A63F 9/0204;
F41J 1/10
See application file for complete search history.

4,955,607 A * 9/1990 Maye A63B 63/00
473/456
D317,033 S * 5/1991 Rains D21/705
5,118,103 A * 6/1992 Miller A63B 71/022
473/197
5,351,948 A * 10/1994 Thomas A63B 63/00
273/400
5,431,411 A * 7/1995 Padilla A63B 63/004
473/416
5,433,433 A * 7/1995 Armell A63B 63/004
273/400
5,516,115 A * 5/1996 McLain A63B 63/00
273/400
5,549,304 A * 8/1996 Davis A63B 63/004
273/396
5,569,094 A * 10/1996 Macaluso A63B 63/00
273/400

(Continued)

OTHER PUBLICATIONS

<http://www.collegecures.com/2011/new-game-tri-federation/>.
(Continued)

Primary Examiner — Cynthia Ramirez
Assistant Examiner — Michael A Maharajh
(74) *Attorney, Agent, or Firm* — Wiggin and Dana LLP;
Abraham Kasdan; Jonathan D. Hall

(56) **References Cited**

U.S. PATENT DOCUMENTS

2,895,737 A * 7/1959 Blee A63B 63/00
473/197
D257,467 S * 10/1980 Long D21/705
4,295,648 A * 10/1981 Stromback A63B 63/00
273/402
4,553,751 A * 11/1985 Ketchum A63B 69/0097
273/395
4,643,433 A * 2/1987 Wehby A63F 9/0204
273/348
4,883,272 A * 11/1989 Lay A63B 63/00
473/197
4,949,979 A * 8/1990 Wheatcroft A63B 63/00
273/392

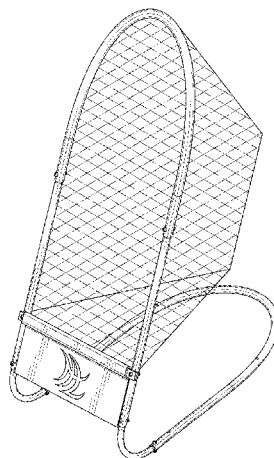
(57) **CLAIM**

The ornamental design for a three-team game goal, as shown and described.

DESCRIPTION

FIG. 1 is a front perspective view of the three-team game goal showing my new design;
FIG. 2 is a front plan view thereof;
FIG. 3 is a top plan view thereof;
FIG. 4 is a side view thereof; and,
FIG. 5 is a back plan view thereof.

1 Claim, 5 Drawing Sheets



(56)

References Cited

U.S. PATENT DOCUMENTS

5,651,551	A *	7/1997	Ferrara	A63B 63/004	273/400
5,655,774	A *	8/1997	Cox	A63B 63/004	273/400
D390,292	S *	2/1998	Hoag	D21/705	
5,772,537	A *	6/1998	Anderson	A63B 69/0097	273/396
5,989,130	A *	11/1999	Macaluso	A63B 71/022	273/400
6,165,085	A *	12/2000	Lubin	A63B 63/004	273/400
6,168,540	B1 *	1/2001	McKenna	A63B 69/0084	473/421
D478,938	S *	8/2003	Vande Hey	D21/302	
D478,939	S *	8/2003	McReynolds	D21/302	
6,779,797	B1 *	8/2004	Chou	F41J 7/04	273/391
6,929,569	B1 *	8/2005	Wang	A63B 24/0021	473/433
7,011,310	B2 *	3/2006	Rowan	A63B 63/00	273/398
7,115,053	B2 *	10/2006	Meichner	A63B 63/00	473/478
7,198,273	B1 *	4/2007	Advocate	A63B 43/007	273/348
7,264,245	B2 *	9/2007	Cho	A63B 69/0097	273/396
7,377,516	B2 *	5/2008	Vallee	A63B 67/06	273/343
D570,417	S *	6/2008	Poe	D21/302	
7,429,223	B2 *	9/2008	Dovrat	A63B 63/00	473/459
7,543,821	B2 *	6/2009	Winningham	A63B 63/004	273/396
7,651,098	B2 *	1/2010	Cho	A63B 63/004	273/396
7,677,575	B2 *	3/2010	Eisenbarth	A63B 63/00	273/343
7,744,089	B2 *	6/2010	Huang	A63B 71/022	273/400
D623,246	S *	9/2010	Nozato	D21/705	
D626,181	S *	10/2010	Lima	D21/302	
D627,002	S *	11/2010	Cho	D21/305	
8,308,166	B2 *	11/2012	Cho	A63B 63/00	273/401
8,322,725	B2 *	12/2012	Cho	A63B 71/022	273/400
D674,450	S *	1/2013	Cerbo	D21/699	
D702,300	S *	4/2014	Crawley	D21/699	
8,734,275	B2 *	5/2014	Orenstein	A63B 63/004	273/400
D717,382	S *	11/2014	Lore	D21/705	
8,875,772	B1 *	11/2014	Dixon, Jr.	A63B 71/022	473/421
D738,431	S *	9/2015	Fiske	D21/302	
D742,466	S *	11/2015	Jaguan	D21/699	
D747,774	S *	1/2016	Erickson	D21/302	
9,415,318	B1 *	8/2016	Harris	F41J 5/24	
9,421,443	B2 *	8/2016	Boyer	A63B 63/00	
D777,852	S *	1/2017	Crawley	D21/699	
D789,466	S *	6/2017	Cho	D21/699	
D805,591	S *	12/2017	Miller	D21/705	

OTHER PUBLICATIONS

<http://www.sportsgrid.com/uncategorized/tri-a-little-sport-with-a-massive-ball/>.

<http://thebiglead.com/2013/01/02/tri-is-a-silly-sport-that-combines-rugby-and-a-ball-shaped-like-a-banana/>.

<http://www.annarbor.com/sports/ann-arbors-thomas-cieslak-looks-to-introduce-a-new-sport-tri-federation-to-the-masses/>.

<http://www.thewestonforum.com/7683/tri-creator-hopes-to-bring-new-sport-to-weston/>.

<http://internationalstorytelling.org/china/tri-and-its-squib-ball/>.

* cited by examiner

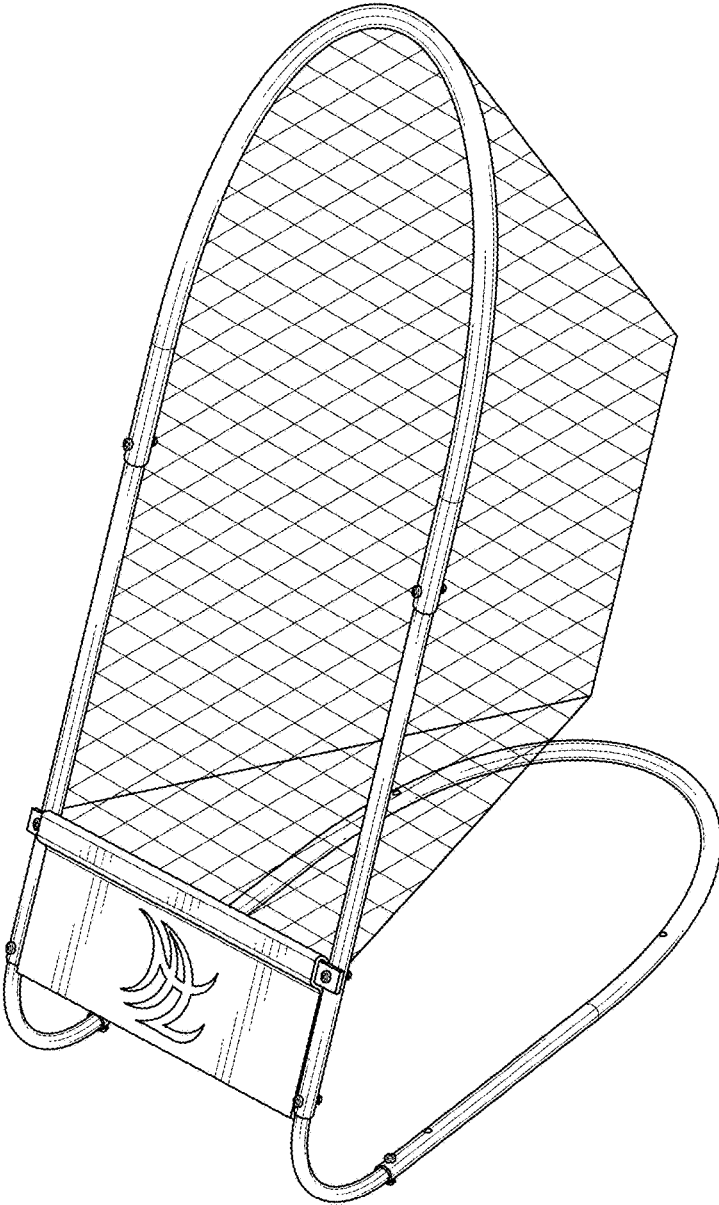


FIG. 1

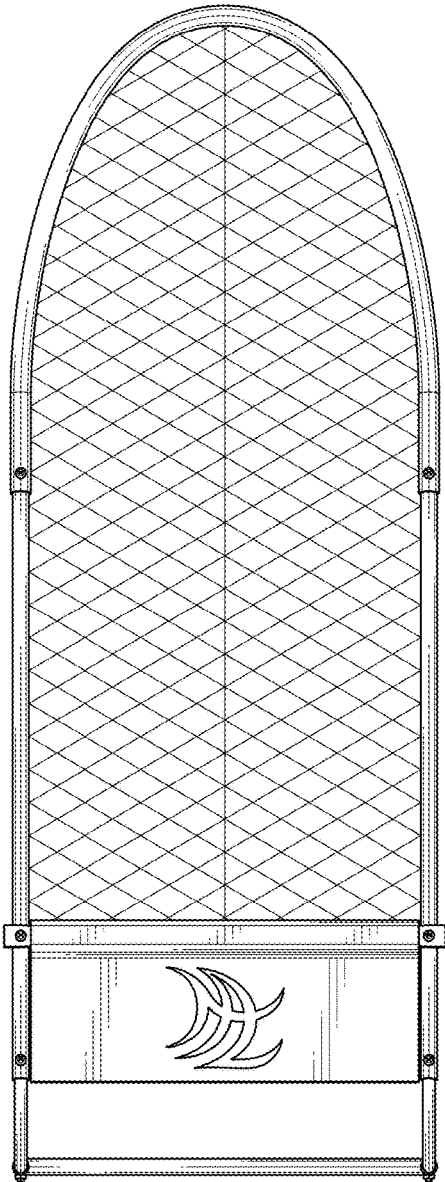


FIG. 2

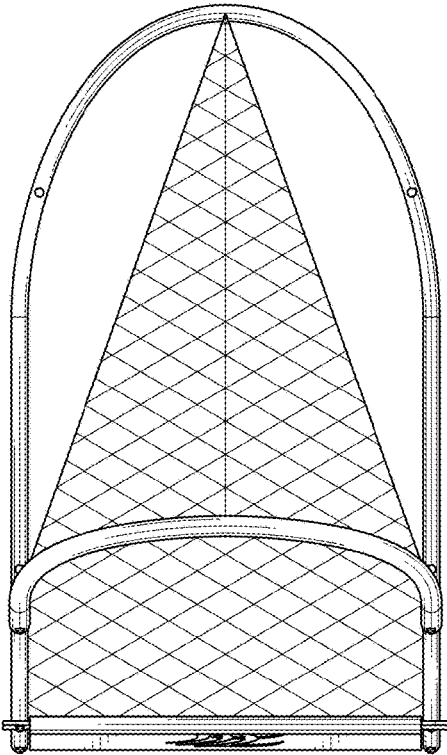


FIG. 3

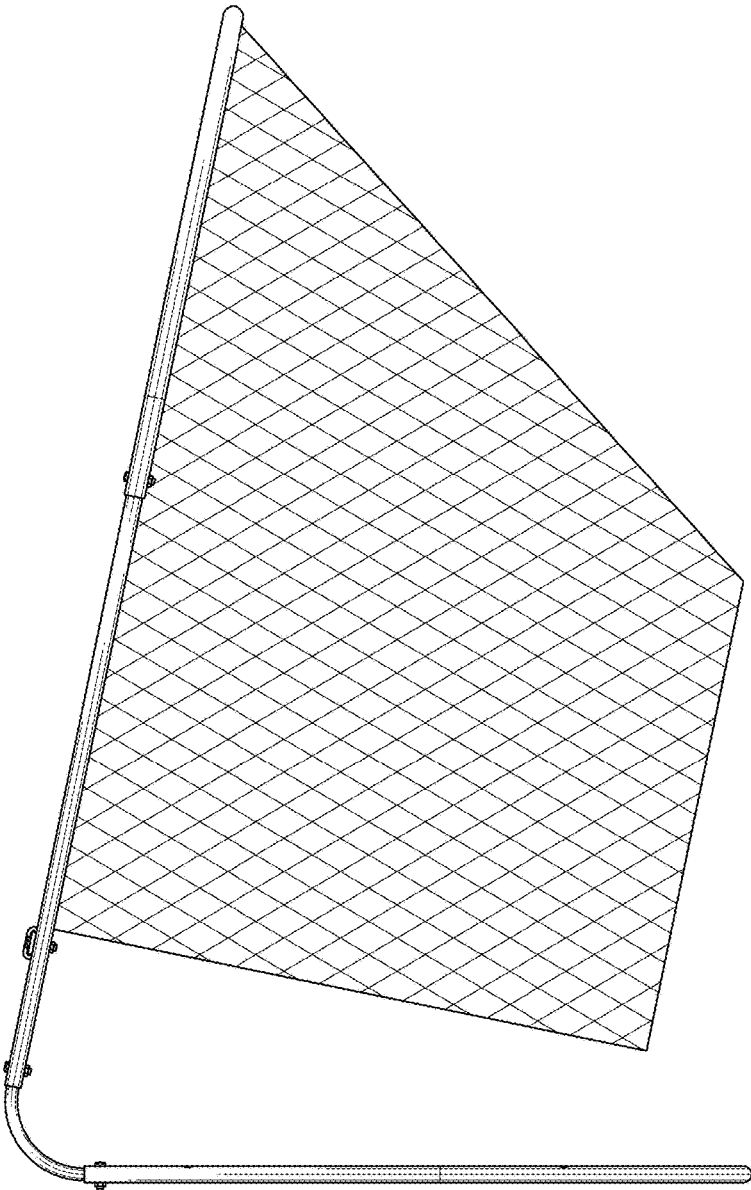


FIG. 4

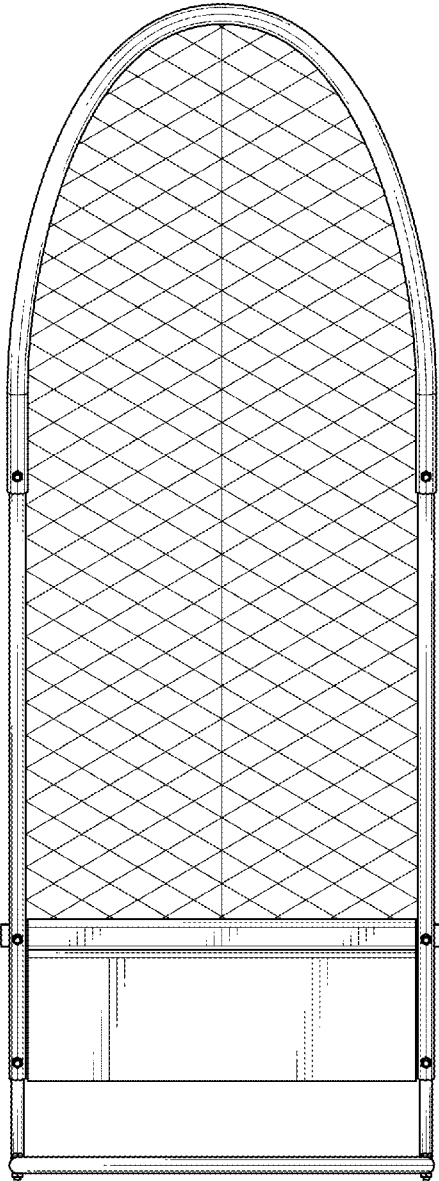


FIG. 5