



US00D803368S

(12) **United States Design Patent**
Priester

(10) **Patent No.:** **US D803,368 S**

(45) **Date of Patent:** **** Nov. 21, 2017**

(54) **AIR PURIFIER**

D621,019 S * 8/2010 Kim D23/356
D624,169 S * 9/2010 Lee D23/364
D705,919 S * 5/2014 Park D23/364
D746,426 S * 12/2015 Zhao D23/359

(71) Applicant: **Krug & Priester GmbH & Co. KG**,
Balingen (DE)

(72) Inventor: **Daniel Priester**, Balingen (DE)

(73) Assignee: **KRUG & PRIESTER GMBH & CO. KG**,
Balingen (DE)

(**) Term: **15 Years**

(21) Appl. No.: **29/561,042**

(22) Filed: **Apr. 12, 2016**

(30) **Foreign Application Priority Data**

Jan. 4, 2016 (EM) 002932426-0001

(51) **LOC (10) Cl.** **23-04**

(52) **U.S. Cl.**
USPC **D23/364**

(58) **Field of Classification Search**
USPC D23/332-336, 342, 351, 352, 355-366,
D23/369, 370; D14/168, 170-172, 188,
D14/496

CPC A62B 21/00; B01D 46/0002; B01D 46/10;
F02M 35/04; F24F 13/20

See application file for complete search history.

(56) **References Cited**

U.S. PATENT DOCUMENTS

D572,810 S * 7/2008 Chiu D23/333
D606,184 S * 12/2009 Chiu D23/359

OTHER PUBLICATIONS

Luftreiniger Ideal AP60 Pro Air Purifier found online [May 12, 2017] <http://www.ecarf-siegel.org/en/products/details/luftreiniger/luftreiniger-ideal-ap60-pro.html>.*

* cited by examiner

Primary Examiner — Robert M. Spear

(74) *Attorney, Agent, or Firm* — Hackler Daghighian
Martino & Novak

(57) **CLAIM**

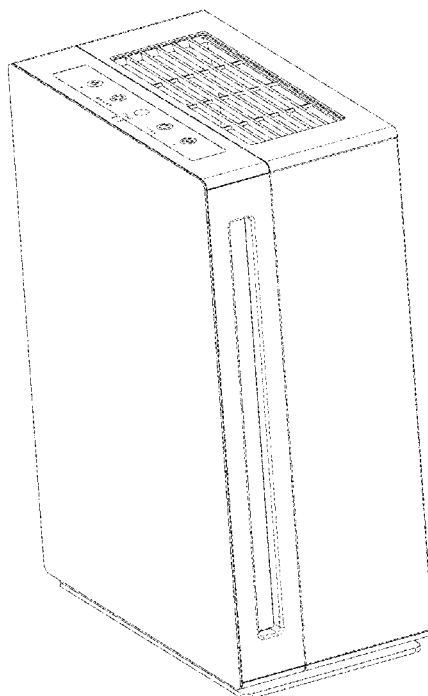
The ornamental design for an air purifier, as shown and described.

DESCRIPTION

FIG. 1 is a perspective view of an air purifier embodying my new design;
FIG. 2 is a front elevation view thereof;
FIG. 3 is a rear elevation view thereof;
FIG. 4 is a left side elevation view thereof;
FIG. 5 is a right side elevation view thereof;
FIG. 6 is a top plan view thereof; and,
FIG. 7 is a bottom plan view thereof.

The broken lines depict environmental subject matter, are for illustration only and form no part of the claimed design.

1 Claim, 7 Drawing Sheets



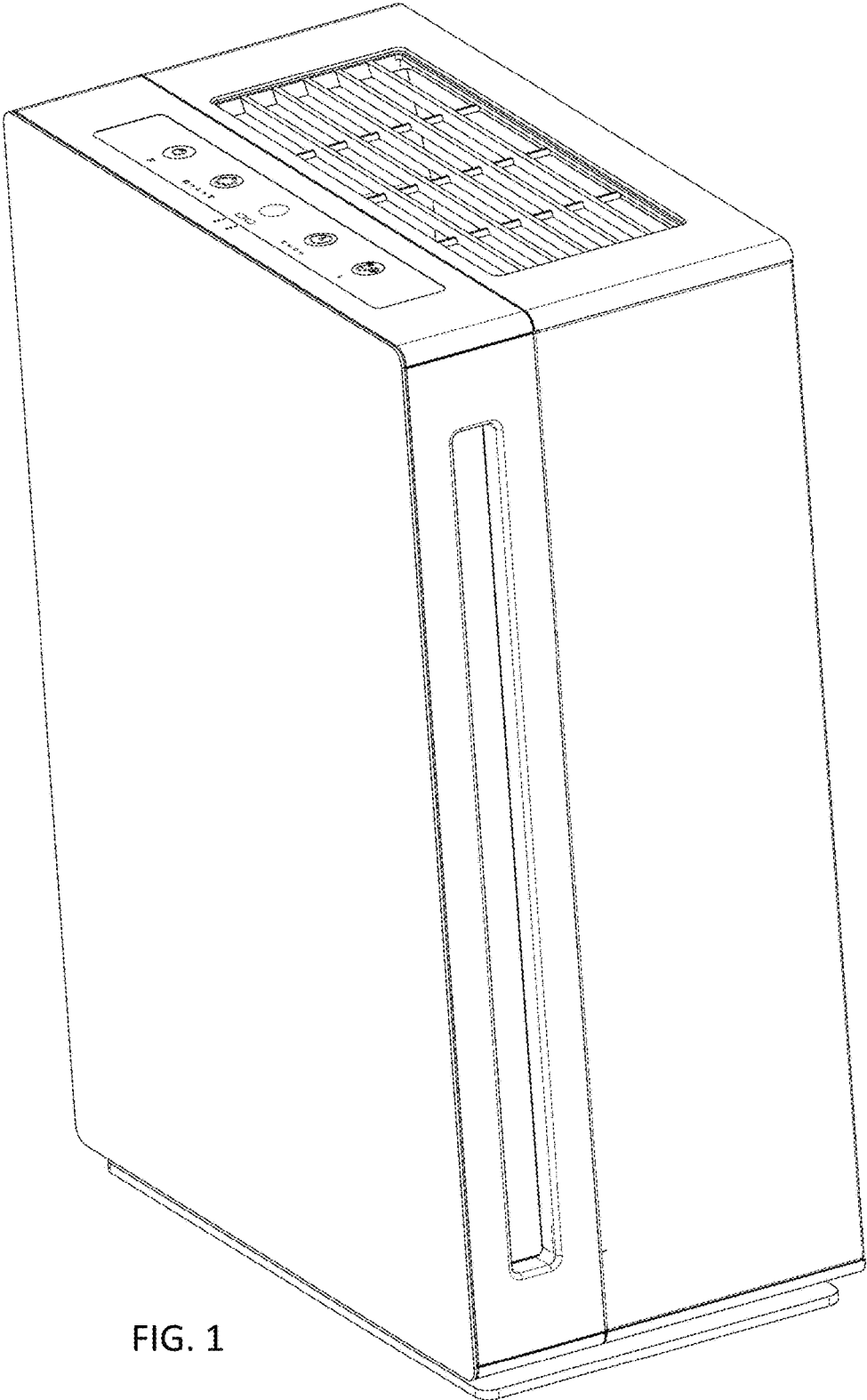


FIG. 1

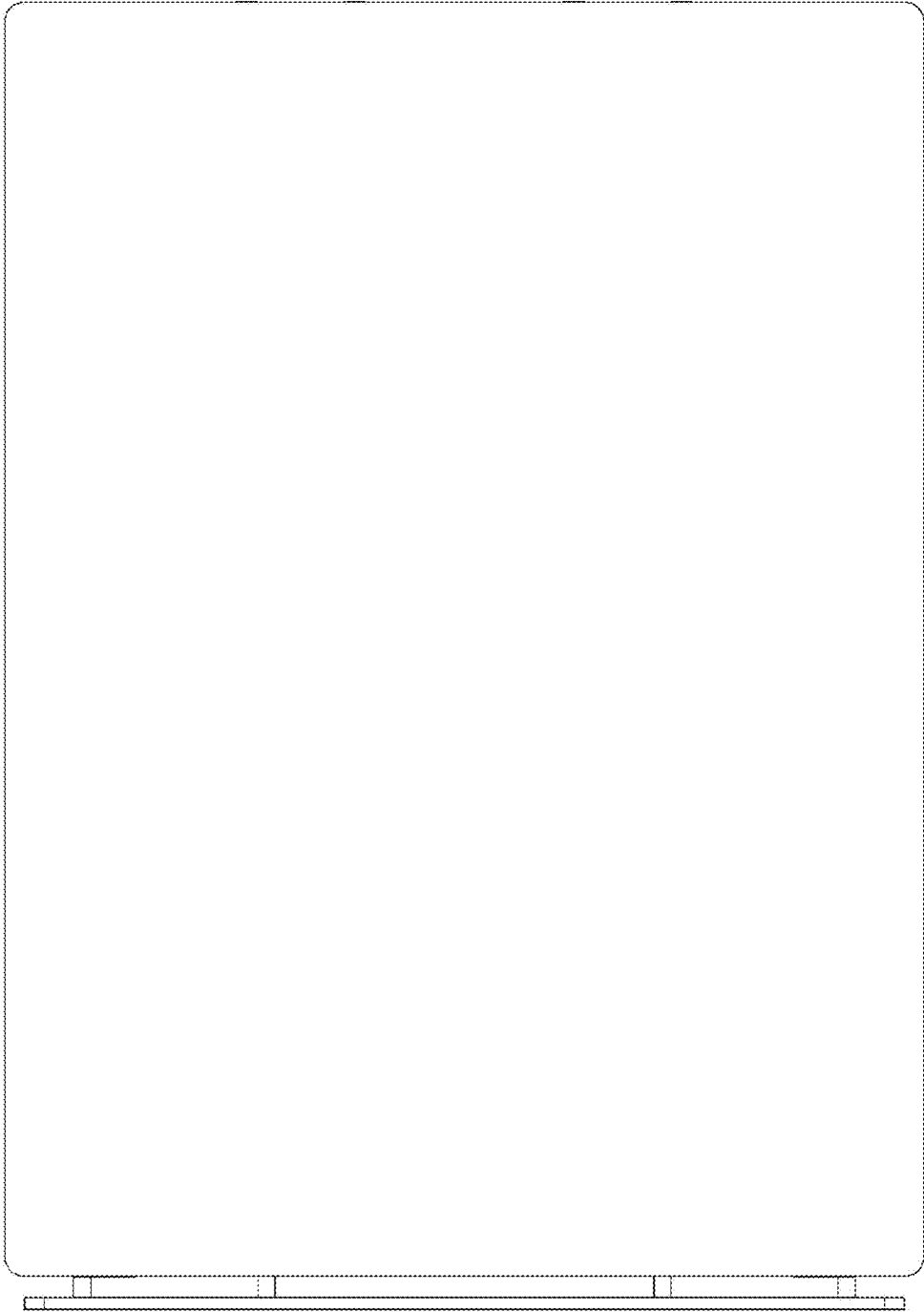


FIG. 2

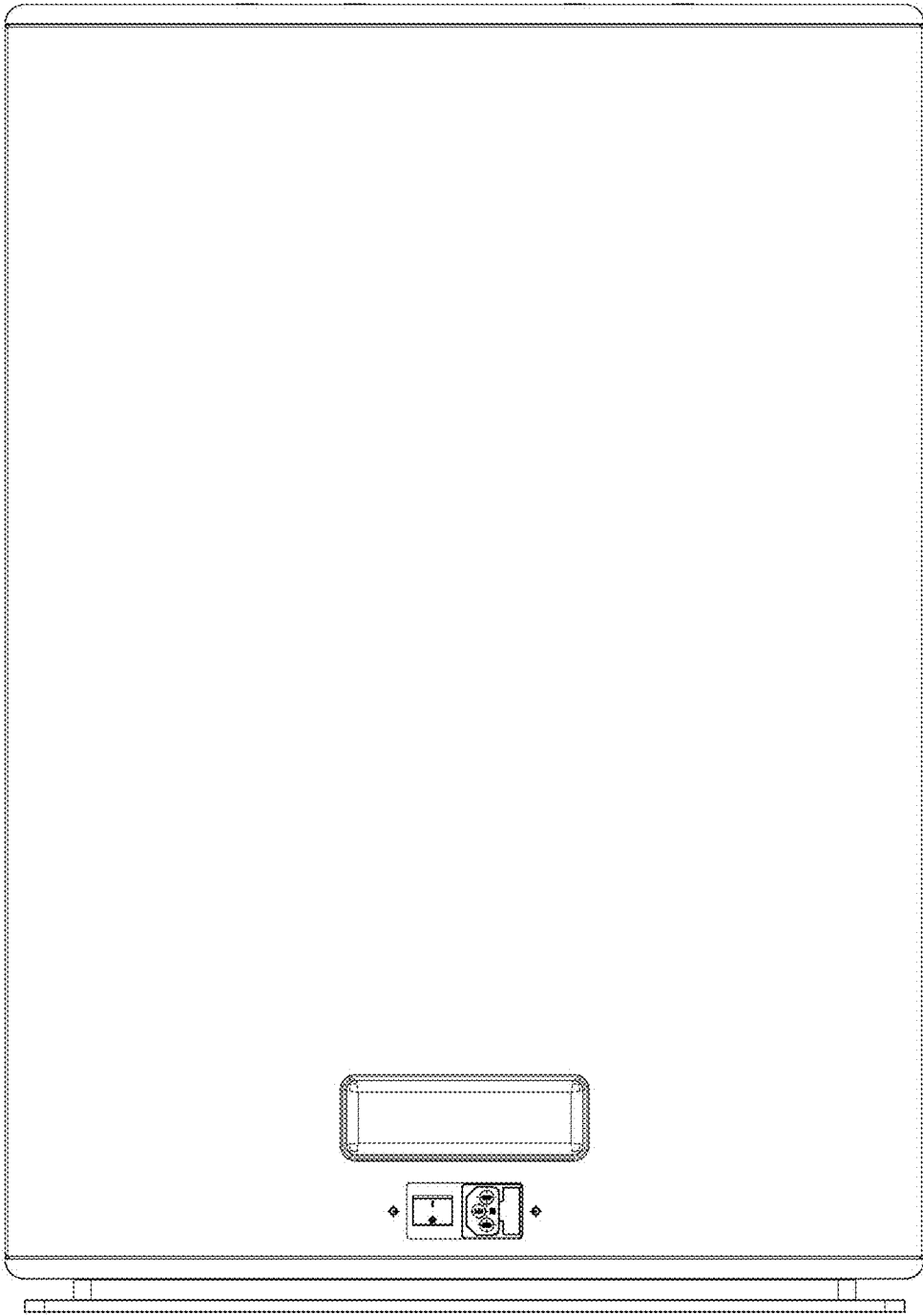


FIG. 3

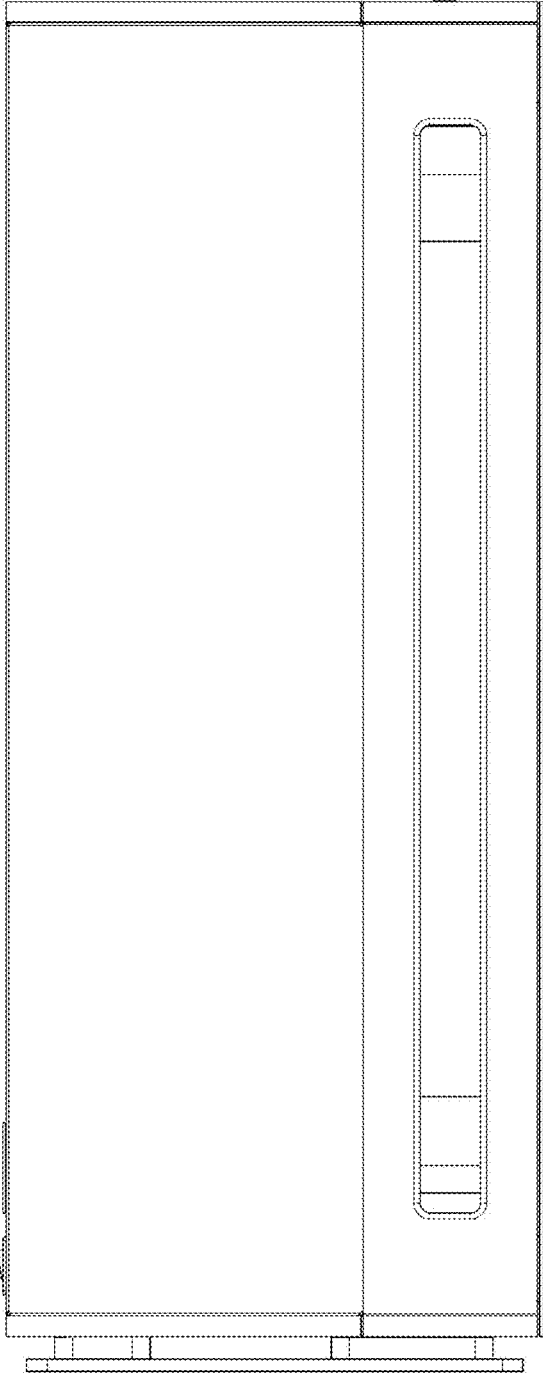


FIG. 4

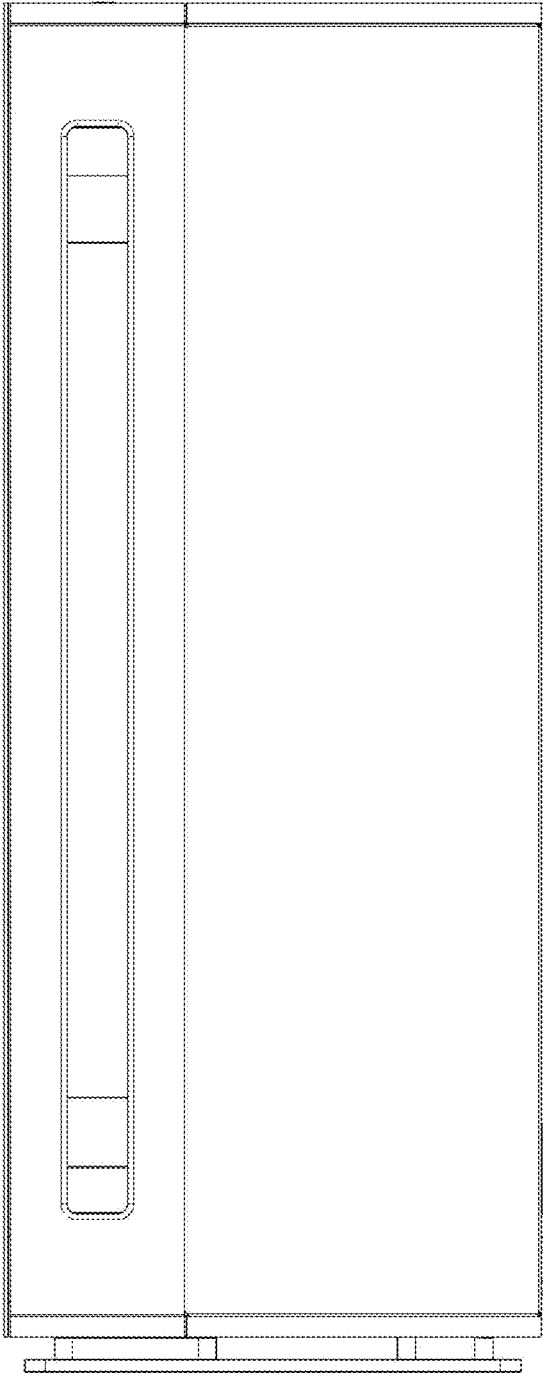


FIG. 5

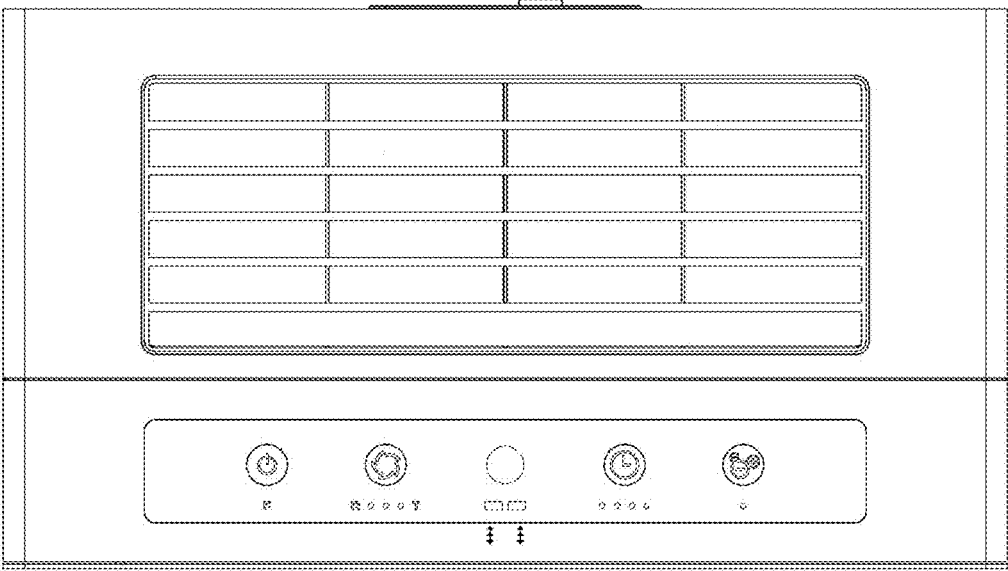


FIG. 6

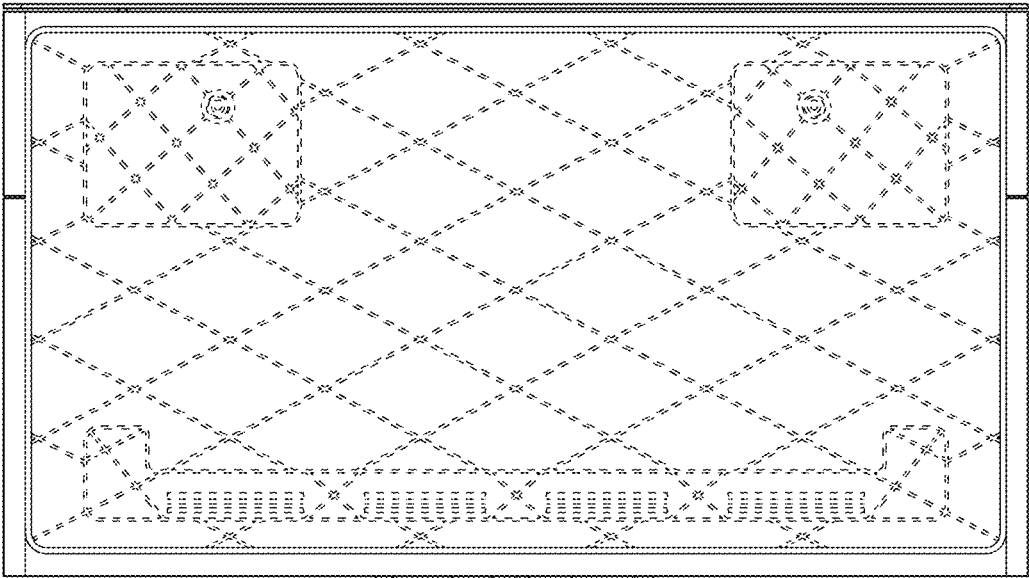


FIG. 7