



(12) **United States Design Patent**
Rivelsrud et al.

(10) **Patent No.:** **US D837,940 S**
(45) **Date of Patent:** **** Jan. 8, 2019**

(54) **WATER FAUCET**

(71) Applicant: **FROST WATER AS**, Fredrikstad (NO)

(72) Inventors: **Jon Asle Rivelsrud**, Eiksmarka (NO);
Peder Ragnvald Koltzow, Fornebu (NO)

(73) Assignee: **Frost Water AS**, Fredrikstad (NO)

(**) Term: **15 Years**

(21) Appl. No.: **35/502,741**

(22) Filed: **Oct. 5, 2016**

(80) **Hague Agreement Data**

Int. Filing Date: **Oct. 5, 2016**
Int. Reg. No.: **DM/092931**
Int. Reg. Date: **Oct. 5, 2016**
Int. Reg. Pub. Date: **Apr. 7, 2017**

(30) **Foreign Application Priority Data**

Apr. 7, 2016 (NO) 20160347

(51) **LOC (11) Cl.** **23-01**

(52) **U.S. Cl.**
USPC **D23/238**

(58) **Field of Classification Search**
USPC D23/233, 238, 239, 241-243, 245,
D23/248-250, 255, 257, 207, 209, 264
CPC E03C 1/04; E03C 1/0401; E03C 1/0402;
E03C 1/0404

See application file for complete search history.

(56) **References Cited**

U.S. PATENT DOCUMENTS

D249,275	S	*	9/1978	Mackay	D23/209
D291,826	S	*	9/1987	Maddock	366/143
D466,977	S	*	12/2002	Cummings	D23/238
D580,519	S	*	11/2008	Citterio	D23/238
D598,071	S	*	8/2009	Lammel	D23/238
D613,374	S	*	4/2010	Lammel	D23/238
D636,062	S	*	4/2011	Rubin	D23/238
D694,366	S	*	11/2013	Hahn	D23/238
D734,834	S	*	7/2015	Flowers	D23/238
D750,203	S	*	2/2016	Flowers	D23/238
D771,224	S	*	11/2016	Flowers	D23/238

* cited by examiner

Primary Examiner — Keli L Hill

(74) *Attorney, Agent, or Firm* — Kolisch Hartwell, P.C.

(57) **CLAIM**

The ornamental design for a water faucet, as shown and described.

DESCRIPTION

1.1 is a left elevation view of a water faucet showing the new design;

1.2 is a rear elevation view thereof;

1.3 is a bottom, front and right perspective view thereof;

1.4 is a front elevation view thereof;

1.5 is a top plan view thereof;

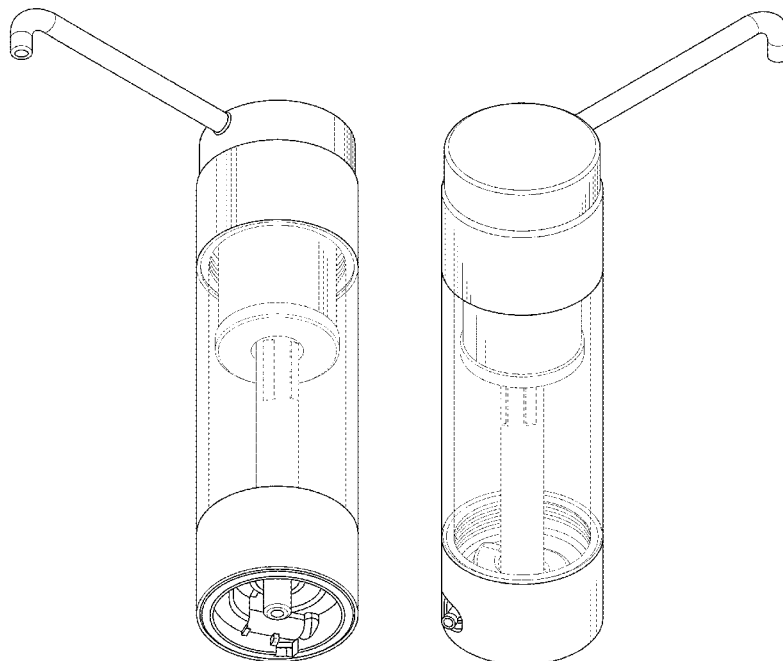
1.6 is a bottom plan view thereof;

1.7 is a top, rear and left perspective view thereof; and

1.8 is a right elevation view thereof.

The dashed lines and structures they depict form no part of the claimed design.

1 Claim, 8 Drawing Sheets



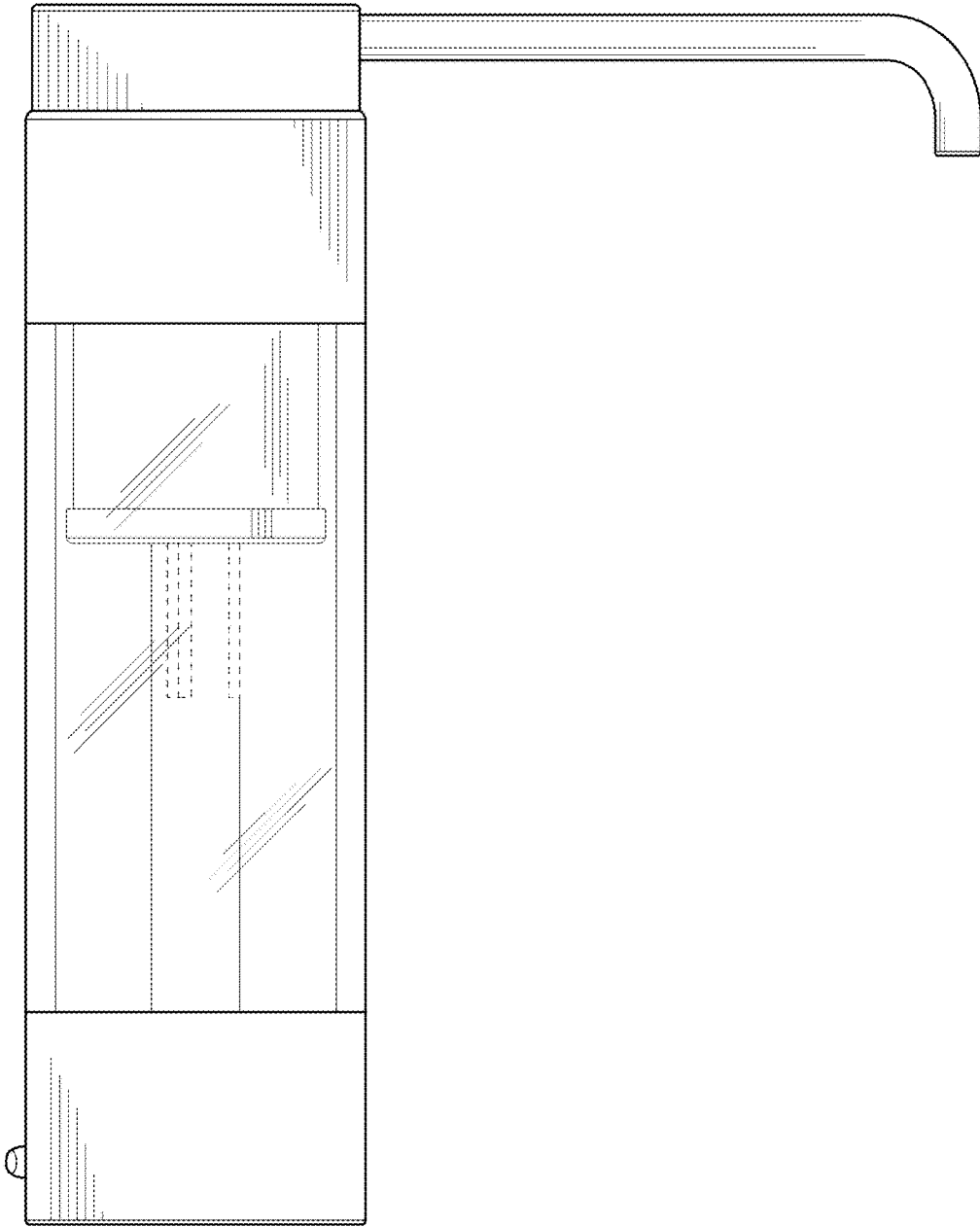


FIG. 1.1

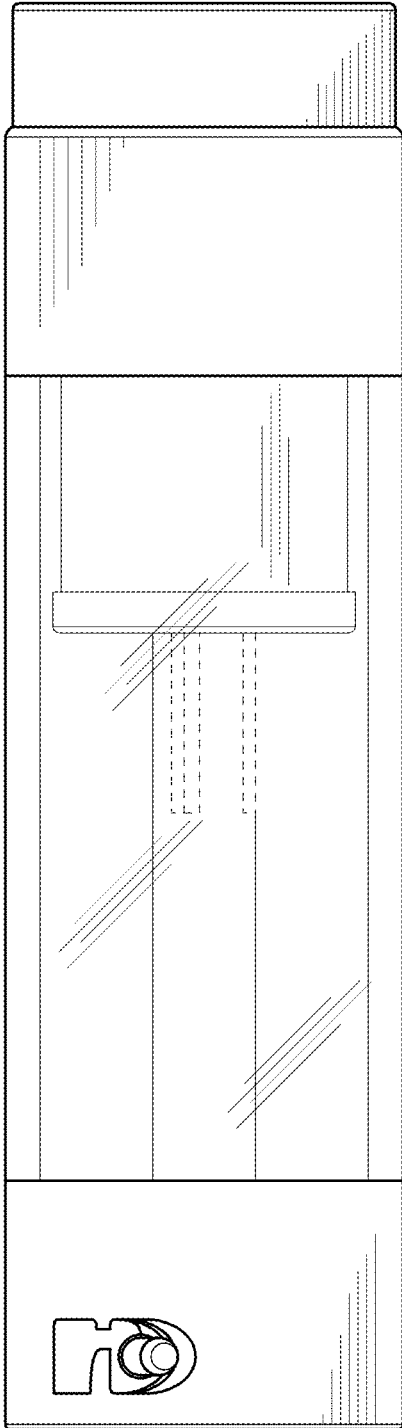


FIG. 1.2

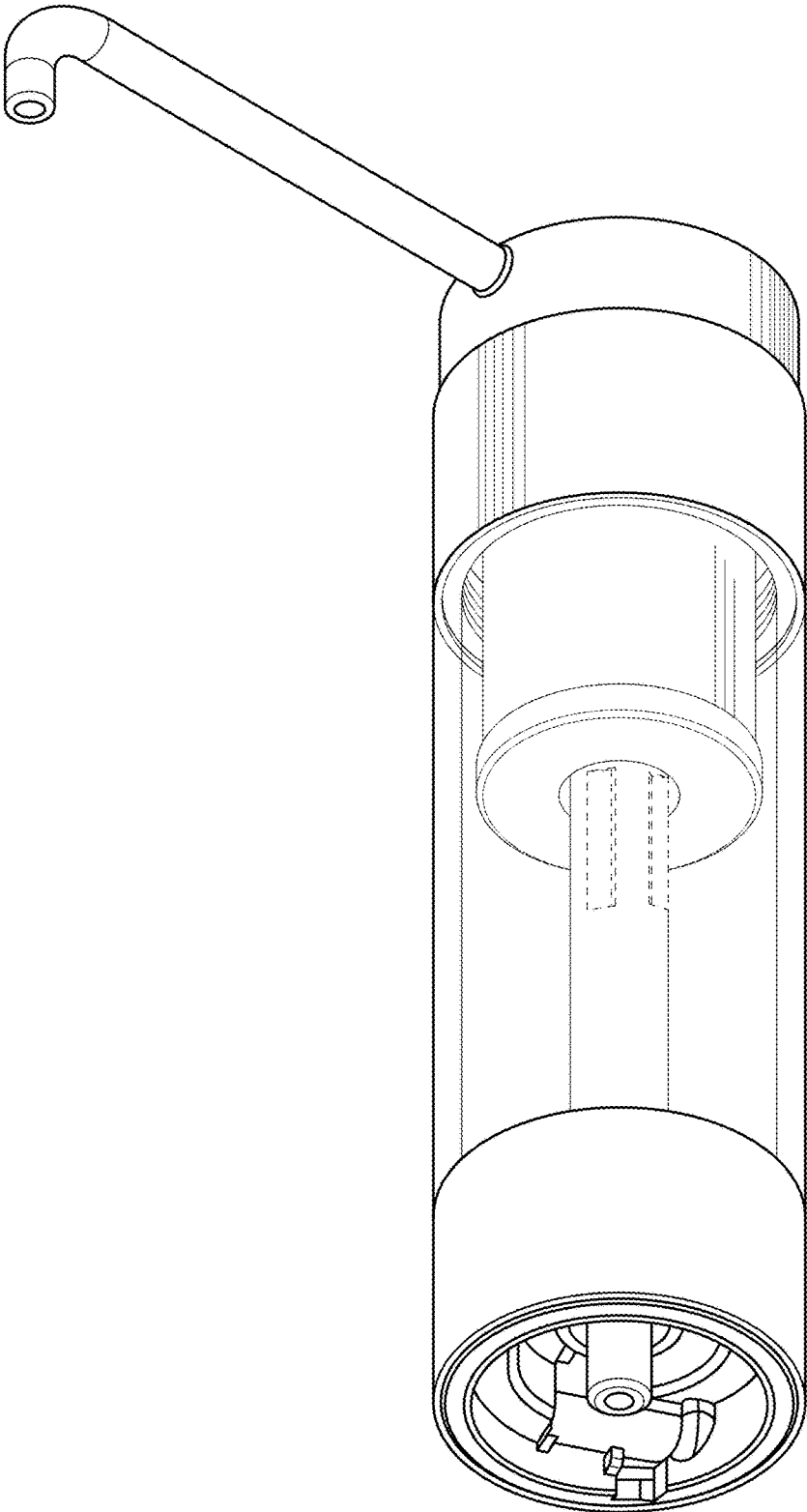


FIG. 1.3

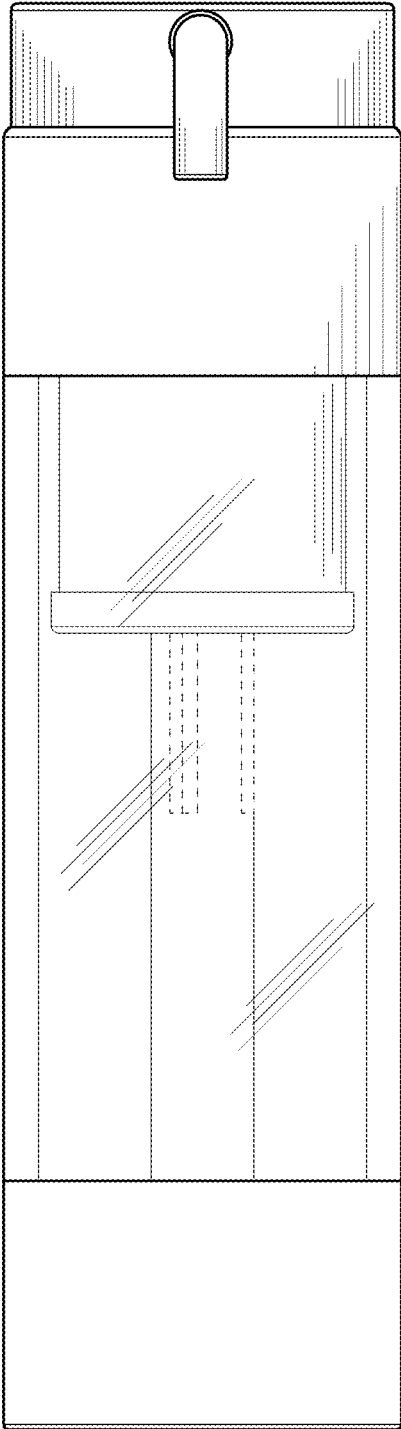


FIG. 1.4

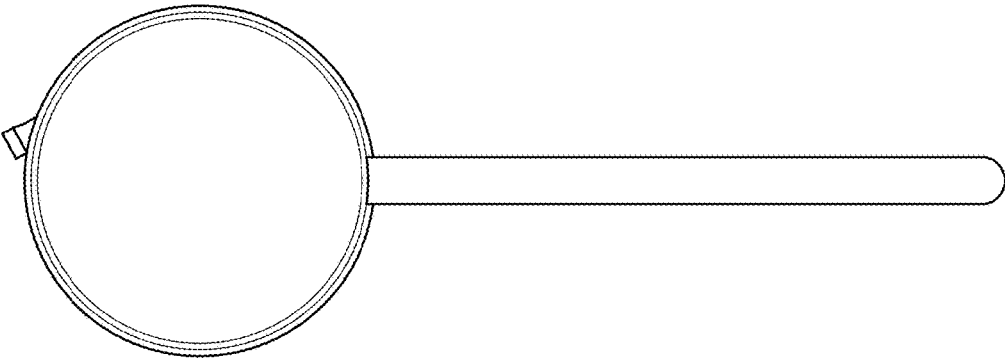


FIG. 1.5

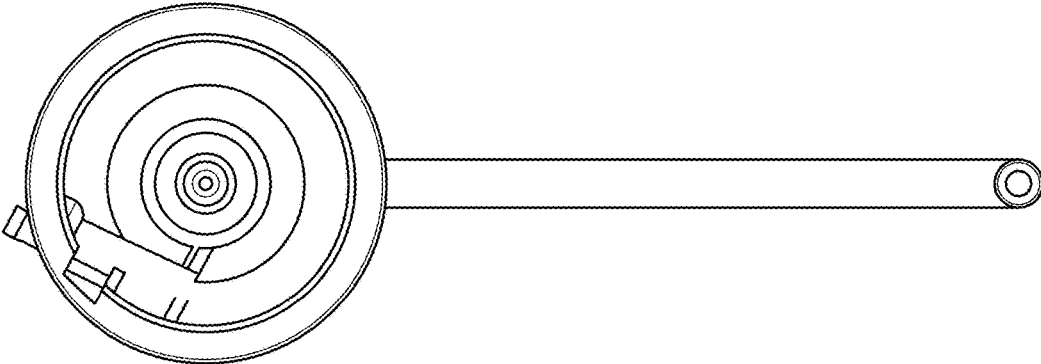


FIG. 1.6

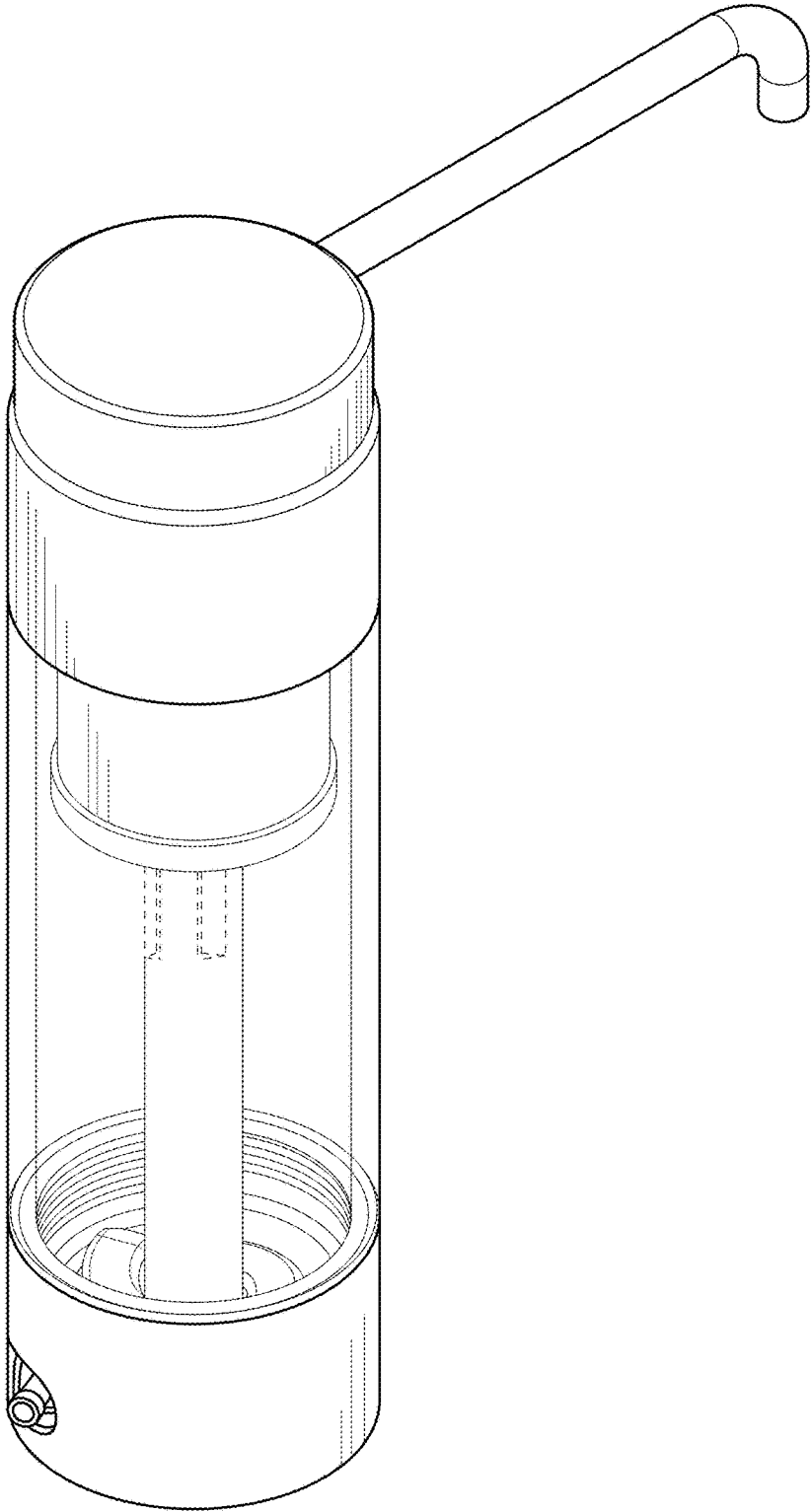


FIG. 1.7

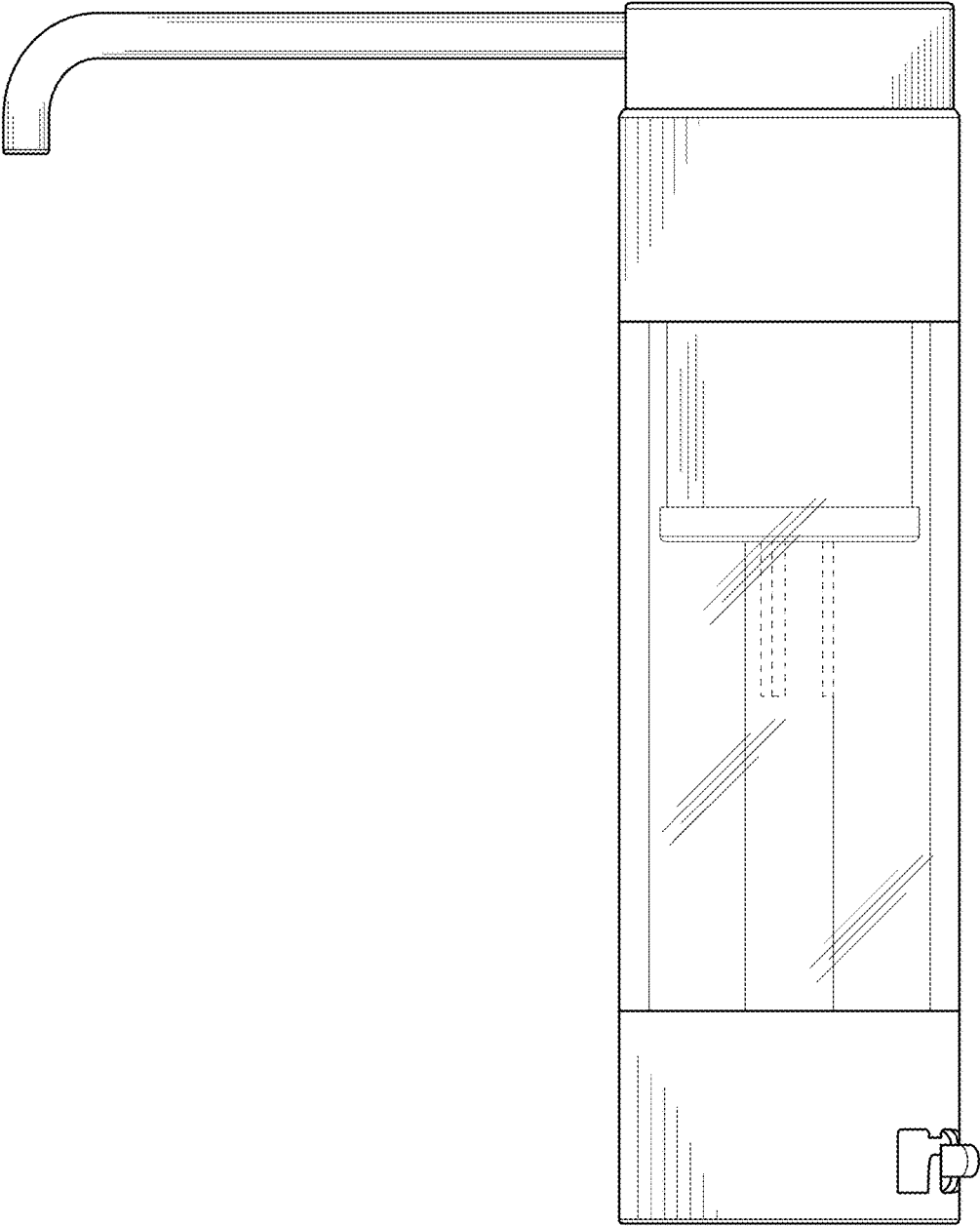


FIG. 1.8