



US0D1037236S

(12) **United States Design Patent**
Kim et al.

(10) **Patent No.:** **US D1,037,236 S**
(45) **Date of Patent:** **** Jul. 30, 2024**

(54) **CASE FOR ELECTRONIC DEVICE**

(71) Applicant: **Samsung Electronics Co., Ltd.,**
Suwon-si (KR)

(72) Inventors: **Back-Ki Kim**, Suwon-si (KR);
Bum-Soo Park, Suwon-si (KR);
Seung-Ho Jang, Suwon-si (KR);
Yoon-Young Kim, Suwon-si (KR)

(73) Assignee: **SAMSUNG ELECTRONICS CO.,**
LTD., Suwon-si (KR)

(**) Term: **15 Years**

(21) Appl. No.: **29/888,237**

(22) Filed: **Mar. 29, 2023**

(30) **Foreign Application Priority Data**

Nov. 3, 2022 (KR) 30-2022-0045156

(51) **LOC (14) Cl.** **14-03**

(52) **U.S. Cl.**
USPC **D14/250**

(58) **Field of Classification Search**
USPC D14/203.3, 203.4, 203.5, 203.6, 203.7,
D14/439, 447, 217, 248, 238.1, 440, 250,
D14/240, 251, 252, 253; D13/103, 107,
D13/108, 119; D3/201, 218, 247, 249,
D3/269, 273, 301, 303
CPC A45C 1/06; A45C 2011/002; A45C 11/00;
H04M 1/0202; H04M 1/0283; A45F
2200/0516; A45F 2200/0525; H04B
1/3888

See application file for complete search history.

(56) **References Cited**

U.S. PATENT DOCUMENTS

D431,719 S * 10/2000 Mucarquer D3/247
D614,179 S * 4/2010 Behar D14/248
D615,078 S * 5/2010 Bradley D14/250

D631,246 S * 1/2011 Boettner D3/218
D653,656 S * 2/2012 Charnas D14/250
8,381,904 B1 * 2/2013 Longinotti-Buitoni
A45C 11/00
455/575.8
D707,965 S * 7/2014 Requa D3/249
D714,058 S * 9/2014 Owen D3/247
D719,143 S * 12/2014 Vidovic D14/250
9,369,167 B2 * 6/2016 Choi H04B 1/3888
D832,832 S * 11/2018 Lamb D3/249
D842,291 S * 3/2019 Feng D14/250

(Continued)

Primary Examiner — Carla J Wright

(74) *Attorney, Agent, or Firm* — McAndrews Held &
Malloy, Ltd.

(57) **CLAIM**

The ornamental design for a case for electronic device, as shown and described.

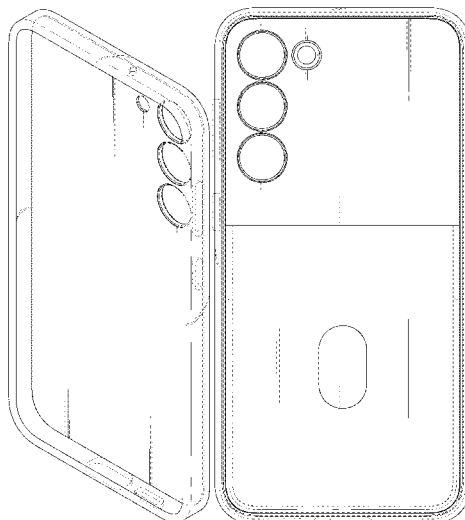
DESCRIPTION

FIG. 1 is a top front perspective view of a case for electronic device showing our new design;
FIG. 2 is a front view thereof;
FIG. 3 is a rear view thereof;
FIG. 4 is a left side view thereof;
FIG. 5 is a right side view thereof;
FIG. 6 is a top plan view thereof;
FIG. 7 is a bottom plan view thereof;
FIG. 8 is a bottom rear perspective view thereof;
FIG. 9 is an enlarged view of the delineated portion 9 in FIG. 8; and,
FIG. 10 is an enlarged view of the delineated portion 10 in FIG. 8.

The dashed broken lines in the figures depict portions of the case for electronic device that form no part of the claimed design.

The dot-dash broken lines in the figures delineating portions of the claimed design that are illustrated in enlargements form no part of the claimed design.

1 Claim, 10 Drawing Sheets



(56)

References Cited

U.S. PATENT DOCUMENTS

D849,734	S *	5/2019	Wu	D14/250
D851,077	S *	6/2019	Lim	D14/250
D855,045	S *	7/2019	Igarashi	D3/249
D860,183	S *	9/2019	Hyun	D14/250
10,530,411	B2 *	1/2020	Gehlhausen	A45C 11/182
10,595,605	B2 *	3/2020	Igarashi	H04M 1/185
D948,517	S *	4/2022	Jeon	D14/440
D985,549	S *	5/2023	Chen	D14/250
D986,234	S *	5/2023	Kim	D14/250
D990,461	S *	6/2023	Kwon	D3/249
D997,921	S *	9/2023	Feng	D3/249
D1,009,007	S *	12/2023	Feng	D3/249
2008/0023114	A1 *	1/2008	Bridgefamer	A45C 11/182
					150/132
2010/0224519	A1 *	9/2010	Kao	A45C 11/00
					206/320

* cited by examiner

FIG. 1

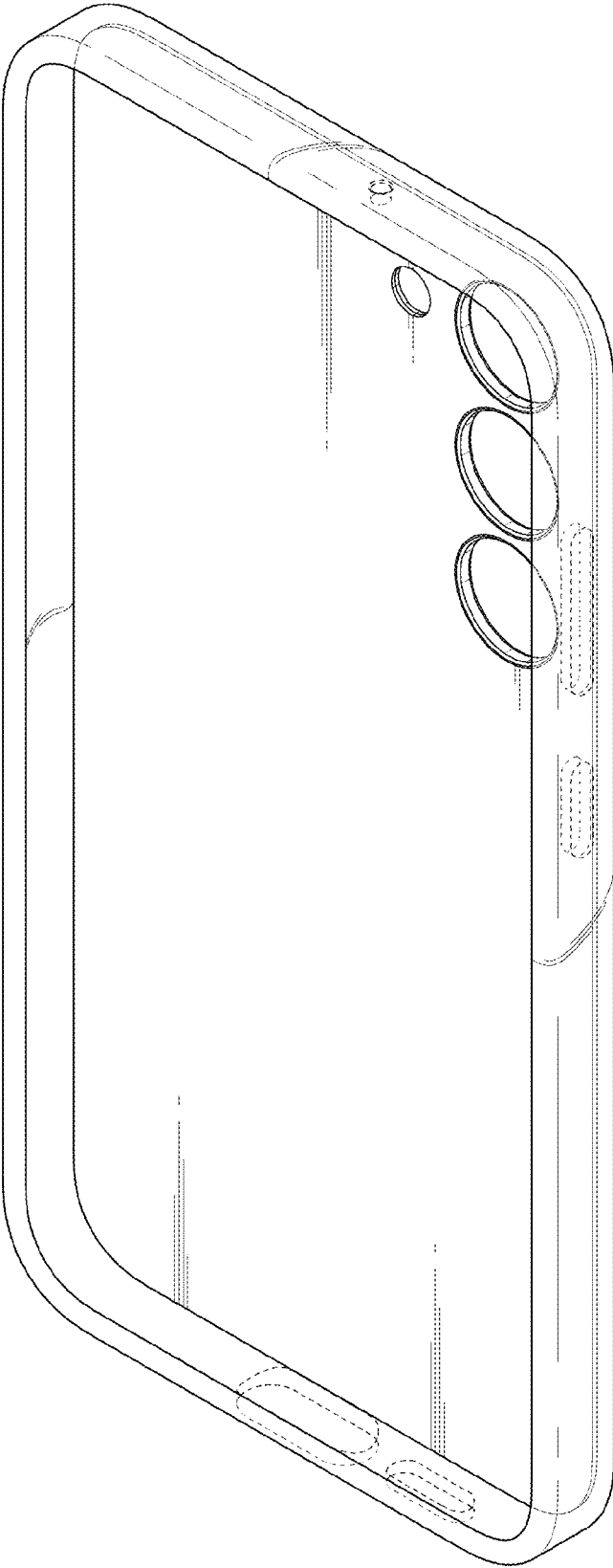


FIG. 2

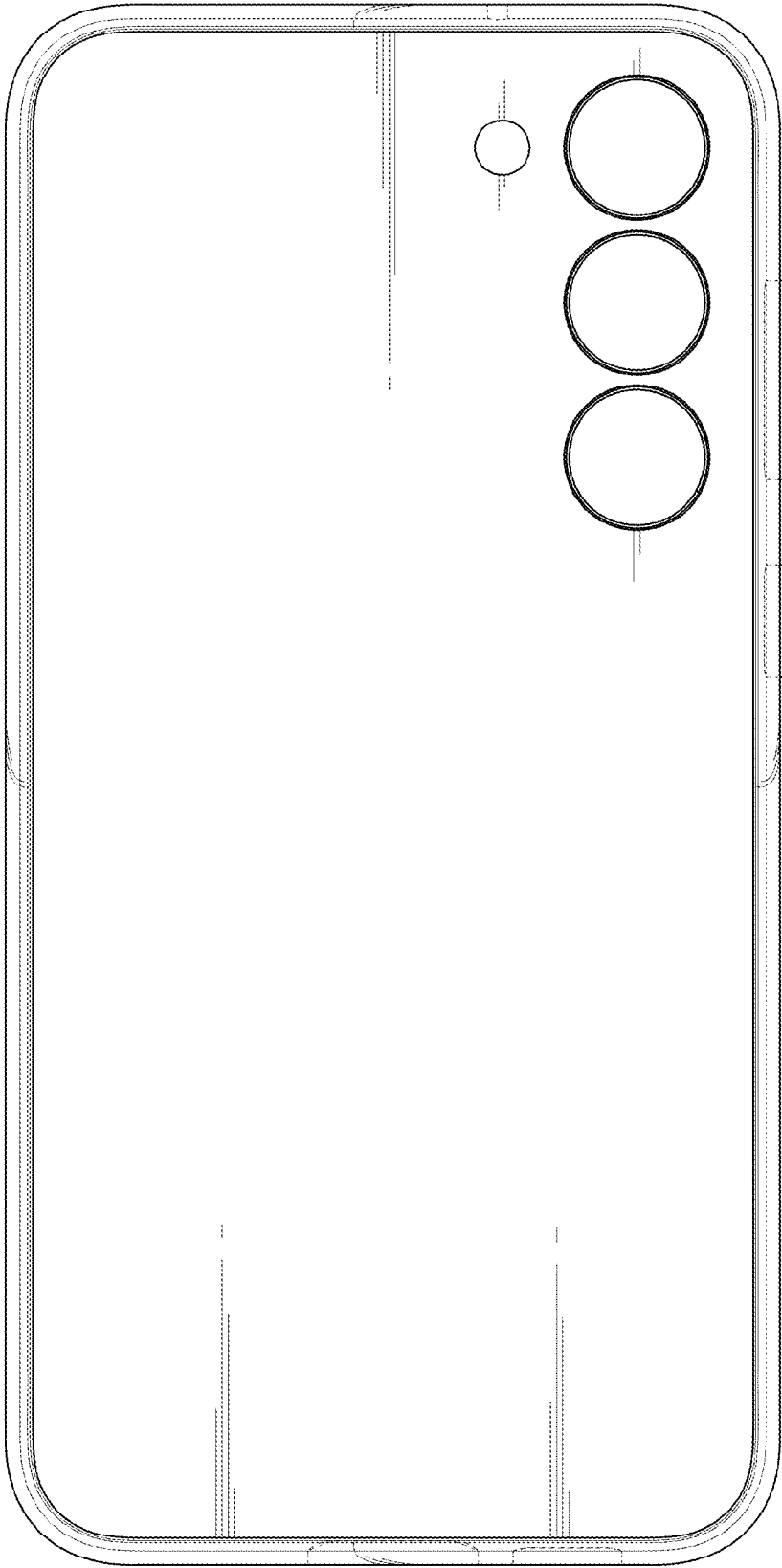


FIG. 3

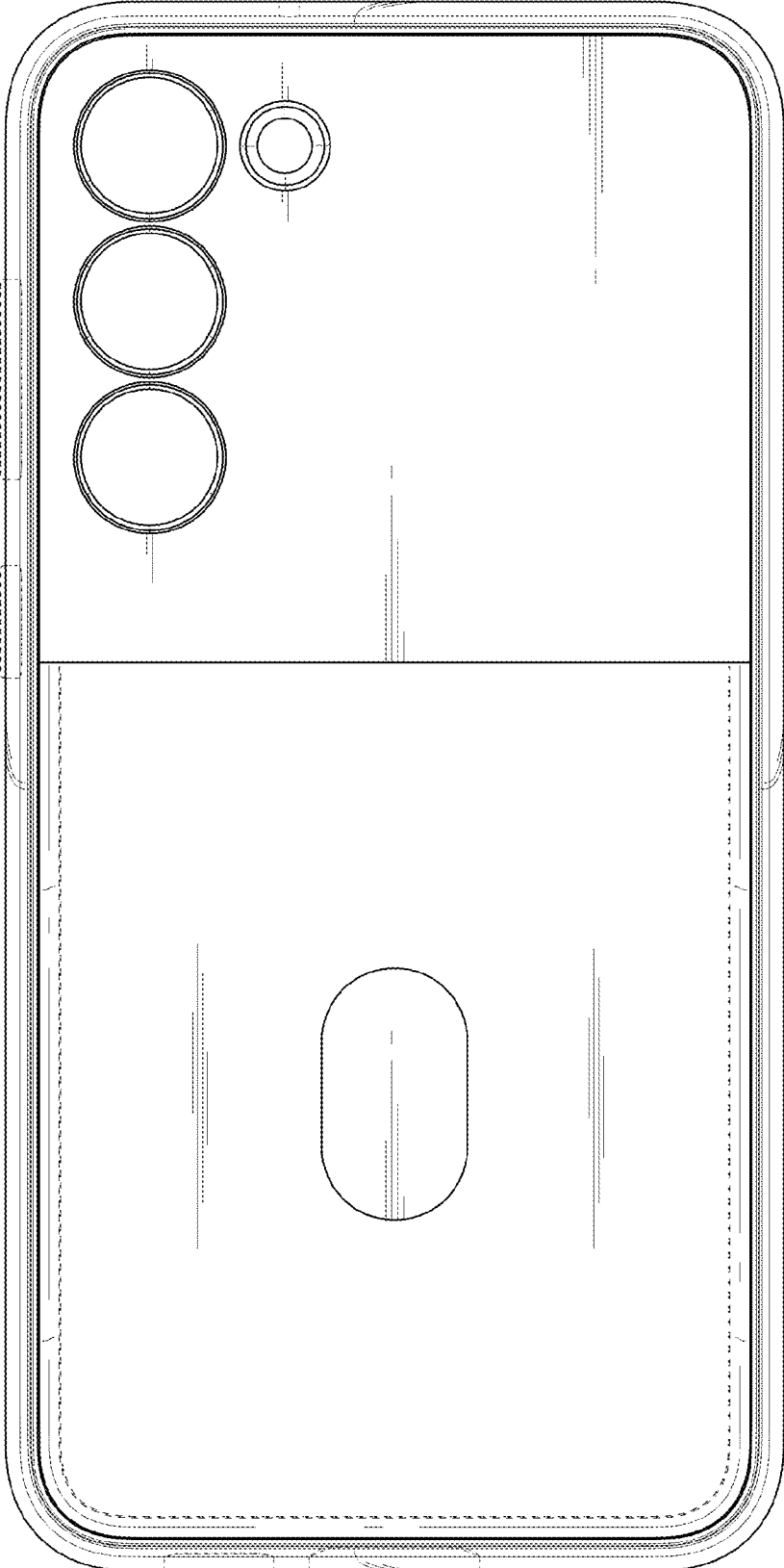


FIG. 4

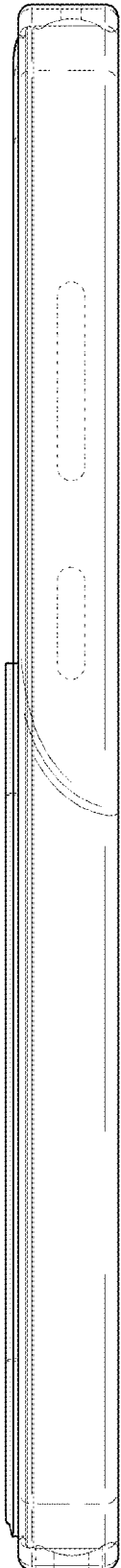


FIG. 5

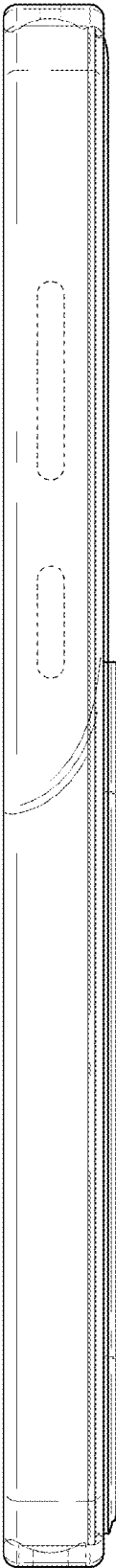


FIG. 6

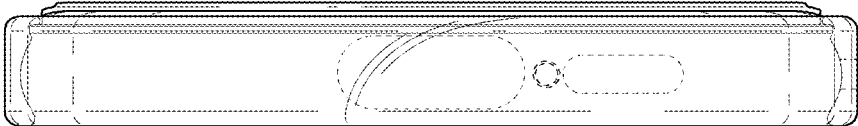


FIG. 7

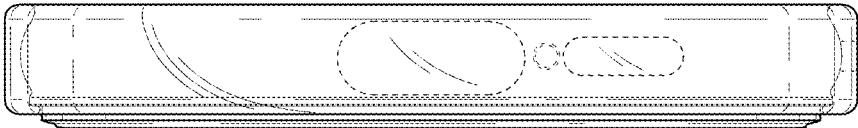


FIG. 8

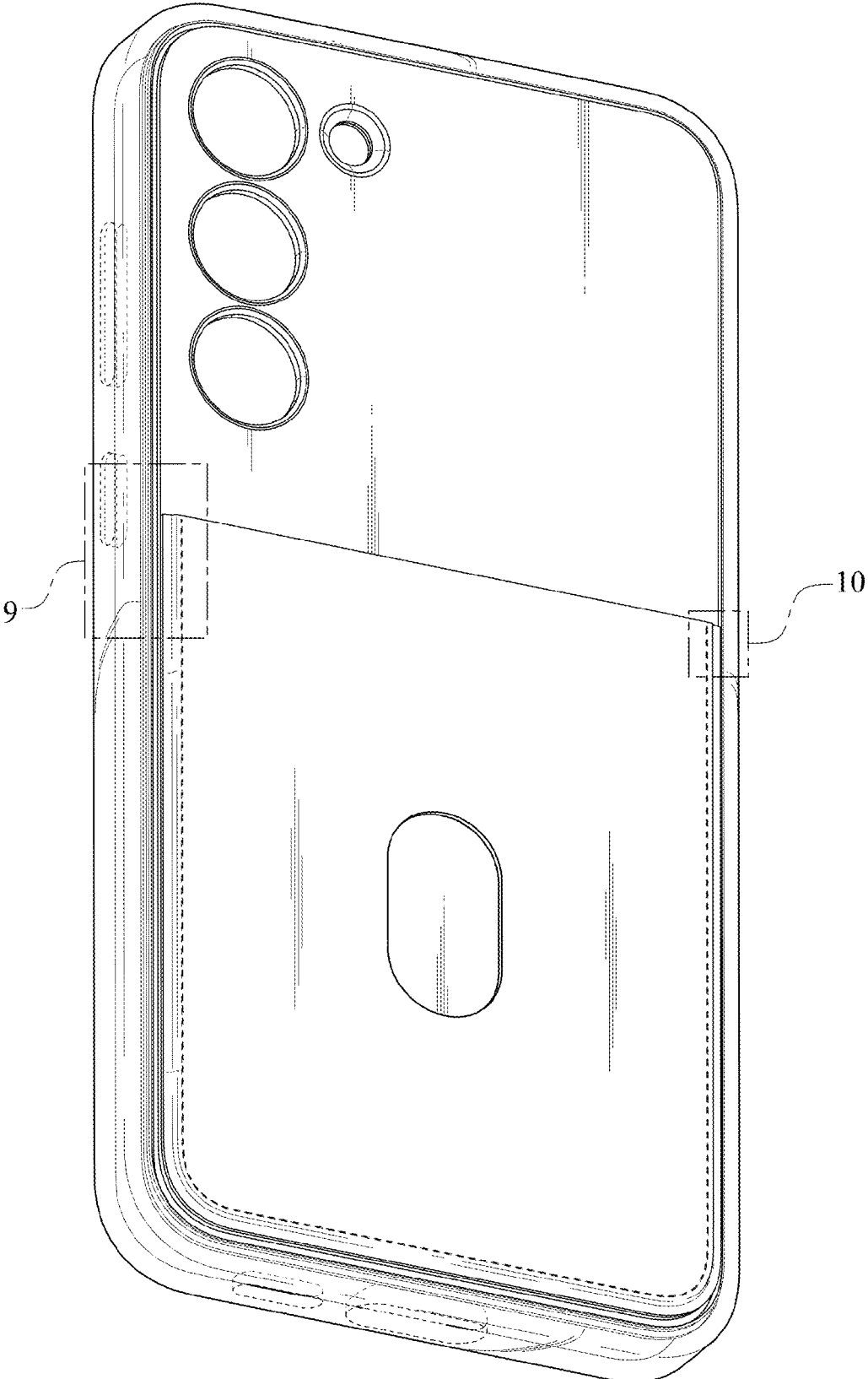


FIG. 9

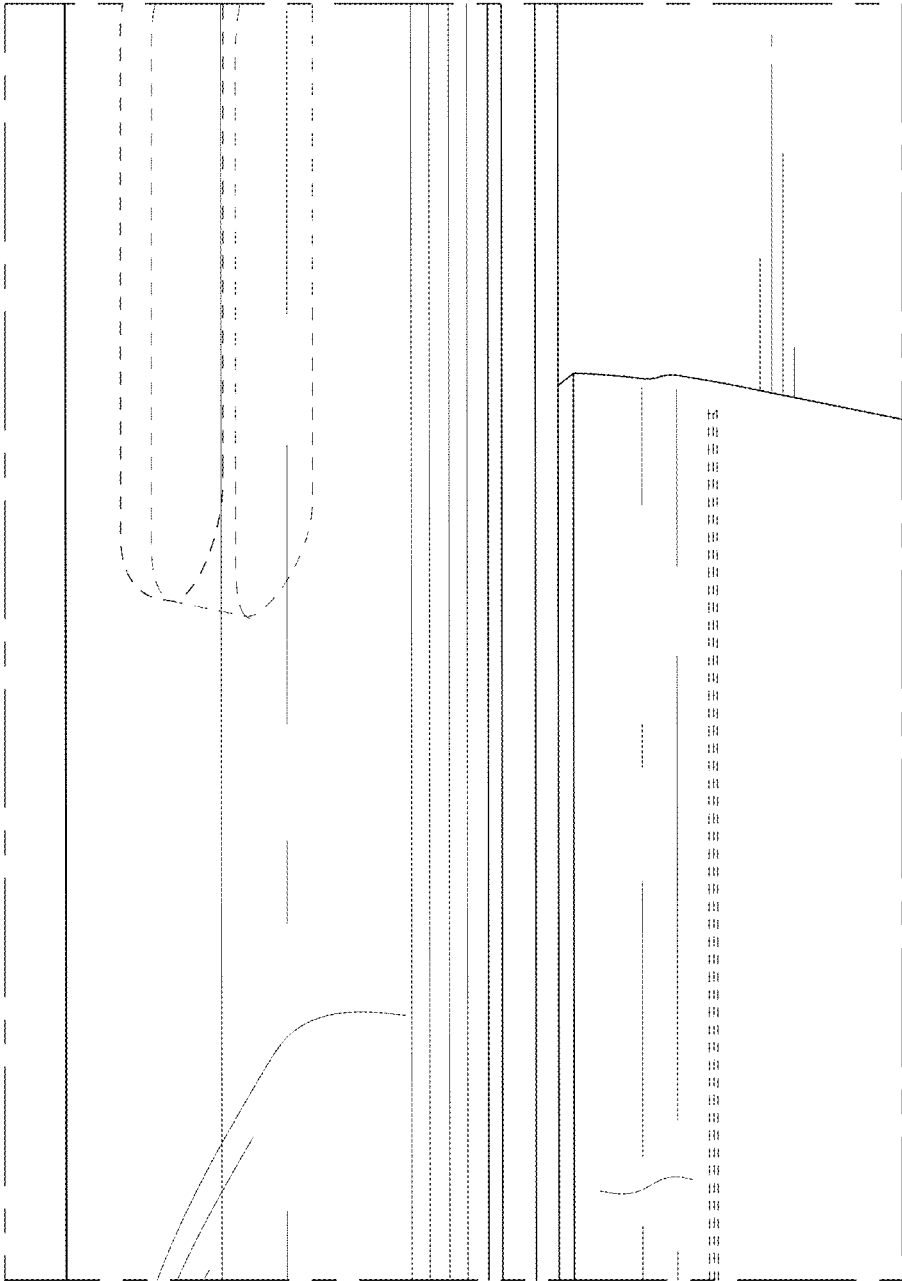


FIG. 10

