



US00D335707S

United States Patent [19]

[11] Patent Number: **Des. 335,707**

Igaue et al.

[45] Date of Patent: **** May 18, 1993**

[54] **DIAPER PANTS**

[56] **References Cited**

[75] Inventors: **Takamitsu Igaue; Tohru Sasaki**, both of Kawano; **Hiromi Manabe**, Ehime; **Hironori Nomura**, Iyomishima; **Taiji Shimakawa**, Kanonji, all of Japan

U.S. PATENT DOCUMENTS

D. 269,907	7/1983	Tong	D24/126
D. 310,880	9/1990	Majewski	D24/126
2,748,772	6/1956	Titone et al.	604/397 X
3,613,686	10/1971	Woskin	604/397 X
4,695,279	9/1987	Steer	604/401 X

[73] Assignee: **Uni-Charm Corporation**, Ehime, Japan

Primary Examiner—Stella Reid
Attorney, Agent, or Firm—Fred Philpitt

[**] Term: **14 Years**

[57] CLAIM

The ornamental design for a diaper pants, as shown and described.

[21] Appl. No.: **551,849**

DESCRIPTION

[22] Filed: **Jul. 12, 1990**

FIG. 1 is a front elevational view of a diaper pants, showing our new design in stretched condition; FIG. 2 is a left side elevational view thereof, the right side elevational view being identical thereto; FIG. 3 is a top plan view thereof; FIG. 4 is a rear elevational view thereof; FIG. 5 is a bottom plan view thereof; and, FIG. 6 is an enlarged cross-sectional view thereof taken along line 6—6 of FIG. 1.

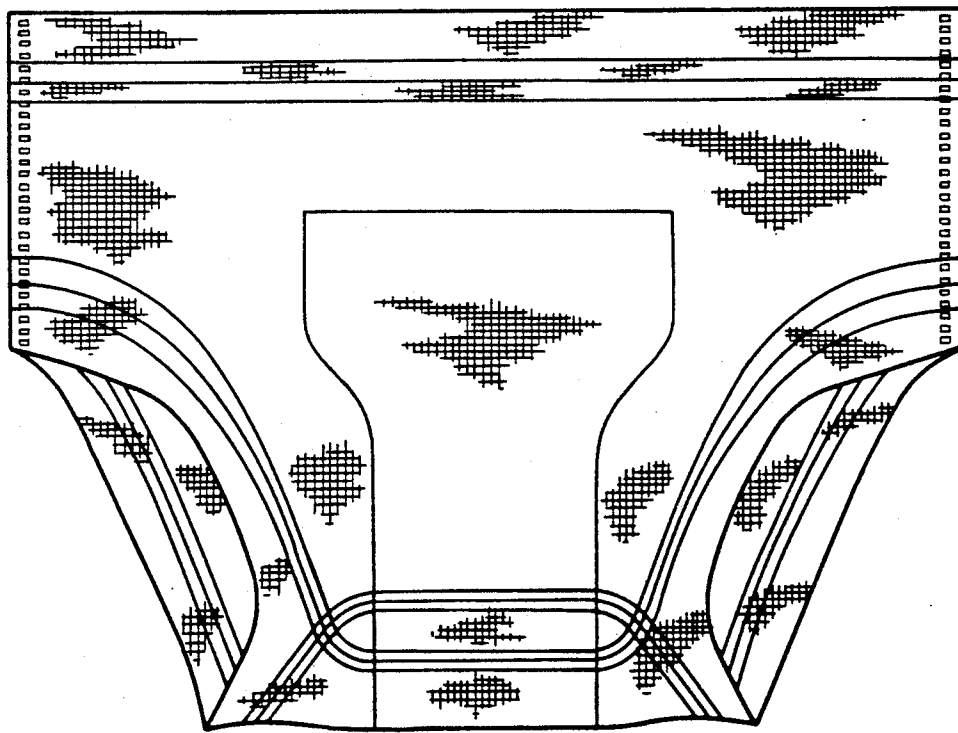
[30] Foreign Application Priority Data

Jan. 17, 1990 [JP] Japan 2-862

[52] U.S. Cl. **D24/126**

[58] Field of Search D24/124, 125, 126; 604/358, 385.1, 386, 387, 393, 394, 396, 397, 398, 400-402

↗ 6



↘ 6

FIG. 1

FIG. 2

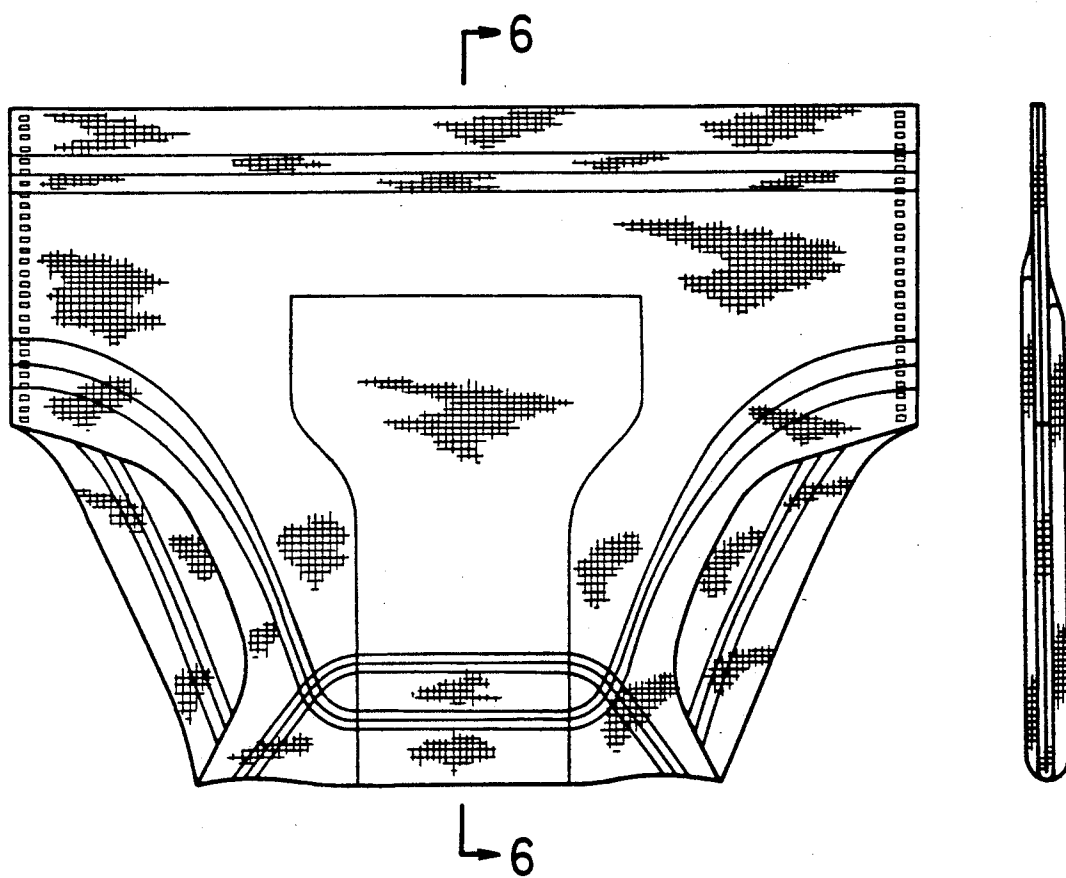


FIG. 3

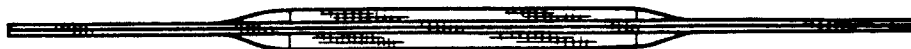


FIG. 4

FIG. 6

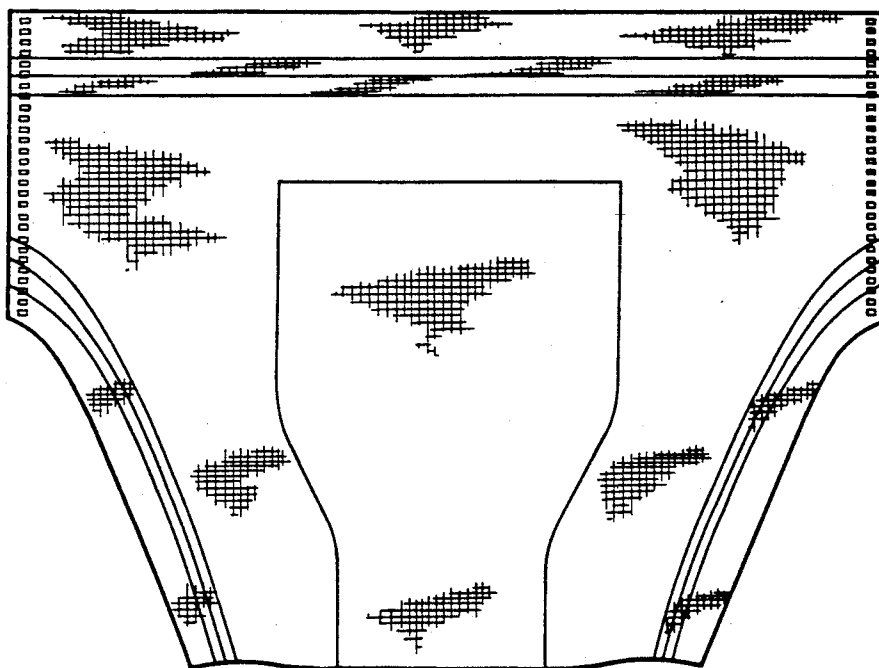


FIG. 5

