



US00D936407S

(12) **United States Design Patent**
Kim

(10) **Patent No.:** **US D936,407 S**

(45) **Date of Patent:** **** Nov. 23, 2021**

- (54) **ELECTRIC COOKER**
- (71) Applicant: **Nuc Electronics Co., Ltd**, Daegu (KR)
- (72) Inventor: **Jong Boo Kim**, Daegu (KR)
- (73) Assignee: **NUC ELECTRONICS CO., LTD.**,
Daegu (KR)
- (**) Term: **15 Years**
- (21) Appl. No.: **35/509,472**
- (22) Filed: **Nov. 28, 2019**
- (80) **Hague Agreement Data**
Int. Filing Date: **Nov. 28, 2019**
Int. Reg. No.: **DM/206135**
Int. Reg. Date: **Nov. 28, 2019**
Int. Reg. Pub. Date: **May 29, 2020**

D190,212 S *	4/1961	Ernest	D7/363
D195,268 S *	5/1963	Reed et al.	D7/360
D199,748 S *	12/1964	De Fano	D7/360
3,179,277 A *	4/1965	Olson	A47J 37/10 220/4.03
D207,861 S *	6/1967	Felske	D7/360
D321,625 S *	11/1991	Dobson	D7/360
D326,797 S *	6/1992	Pomroy	D7/354
D358,737 S *	5/1995	Mendelson	D7/362
D366,592 S *	1/1996	Cesaroni	D7/355
D414,982 S *	10/1999	Hopkins	D7/362
D429,596 S *	8/2000	Hlava	D7/360
D437,182 S *	2/2001	Choi	D7/360
D533,008 S *	12/2006	Macri	D7/332
D557,975 S *	12/2007	Yu	D7/365
D633,339 S *	3/2011	Hart	D7/538
D664,802 S *	8/2012	Upston	D7/362
D672,190 S *	12/2012	Upston	D7/354

(Continued)

Primary Examiner — Karen S Acker
(74) *Attorney, Agent, or Firm* — Seed IP Law Group LLP

- (30) **Foreign Application Priority Data**
Jun. 13, 2019 (KR) 30-2019-0028030
- (51) **LOC (13) Cl.** **07-02**
- (52) **U.S. Cl.**
USPC **D7/337**
- (58) **Field of Classification Search**
USPC D7/300, 301, 306, 309, 311, 312, 313,
D7/332, 337, 339, 347, 348, 352, 362,
D7/367, 368, 376, 377, 378, 379, 381,
D7/383, 399, 407, 409, 510, 523, 543,
D7/532, 538, 665
CPC .. A47J 31/44; A47J 31/52; A47J 43/04; A47J
43/044
See application file for complete search history.

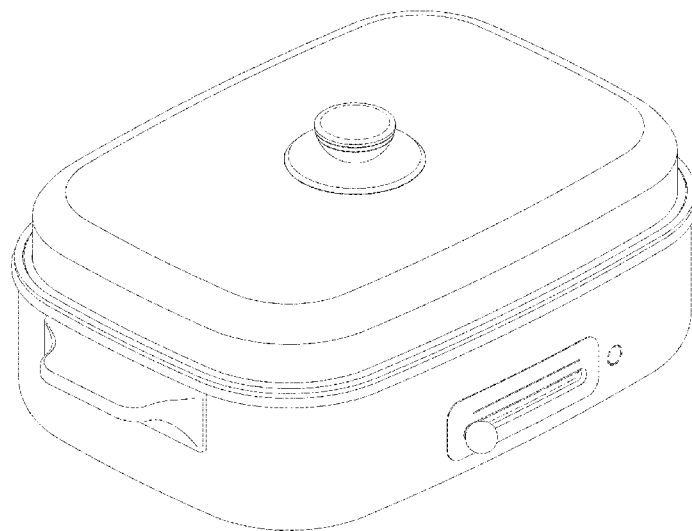
(57) **CLAIM**
The ornamental design for an electric cooker, as shown and described.

DESCRIPTION

1. Electric cooker
 FIG. 1 is a perspective view of an electric cooker;
 FIG. 2 is front view thereof;
 FIG. 3 is a back view thereof;
 FIG. 4 is a left view thereof;
 FIG. 5 is a right view thereof;
 FIG. 6 is a top view thereof; and
 FIG. 7 is a bottom view.
 The broken lines in FIGS. 1, 6 and 7 depict features of the electric cooker that form no part of the claimed design. The plane within the solid line and upon which the legs and unclaimed features of the article are placed in FIG. 7 is a portion of the electric cooker that forms no part of the claimed design.

1 Claim, 6 Drawing Sheets

- (56) **References Cited**
U.S. PATENT DOCUMENTS
D152,292 S * 1/1949 Sado D7/352
D161,035 S * 11/1950 McCarron D7/352



(56)

References Cited

U.S. PATENT DOCUMENTS

D718,977 S *	12/2014	Miller	A47J 37/10
			D7/352
D804,238 S *	12/2017	Xiong	D7/359
D862,974 S *	10/2019	Miyawaki	D7/362
D865,436 S *	11/2019	Xiong	D7/367
D916,542 S *	4/2021	Lee	D7/352

* cited by examiner

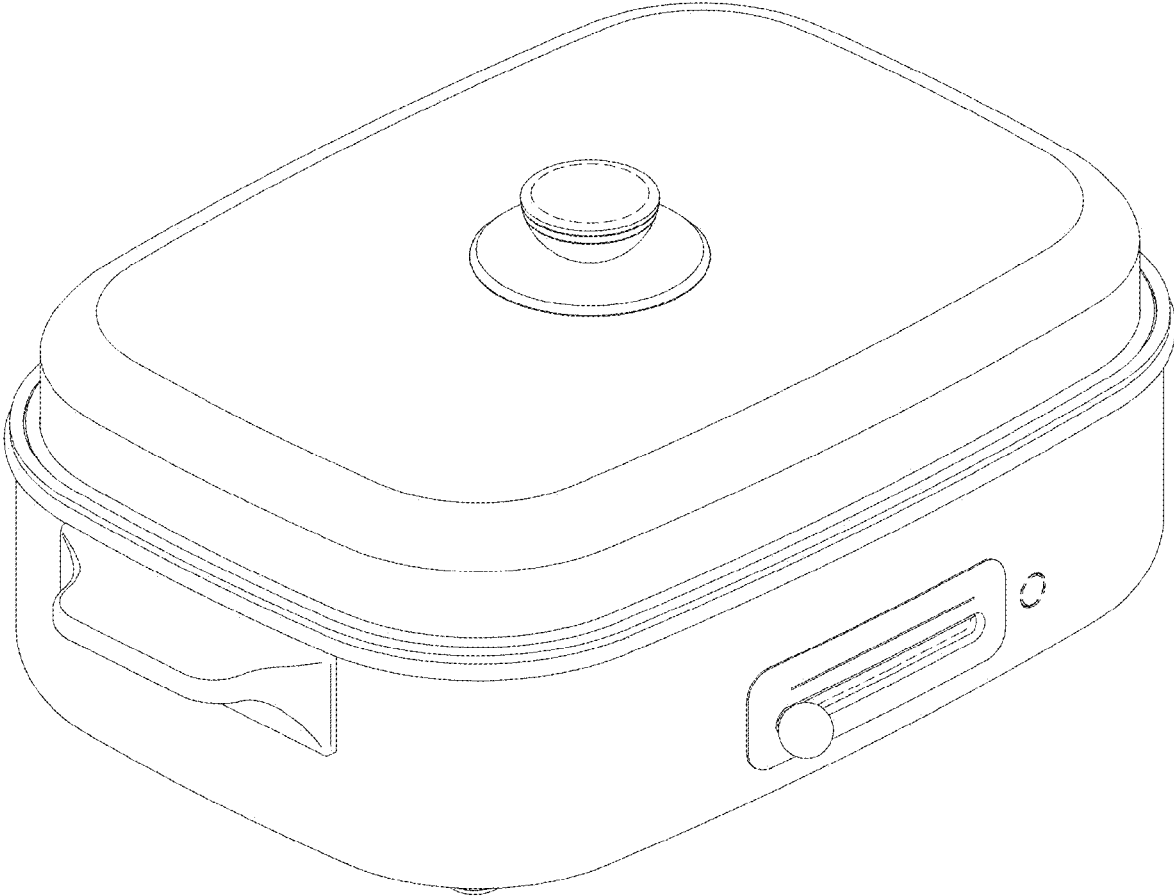


FIG. 1

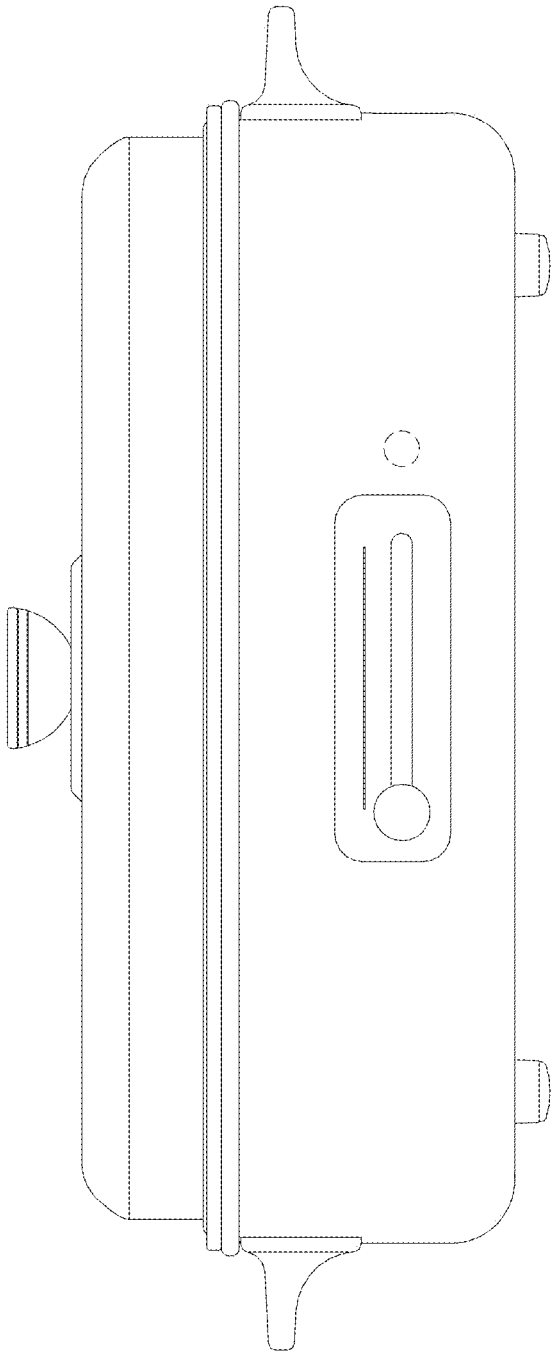


FIG. 2

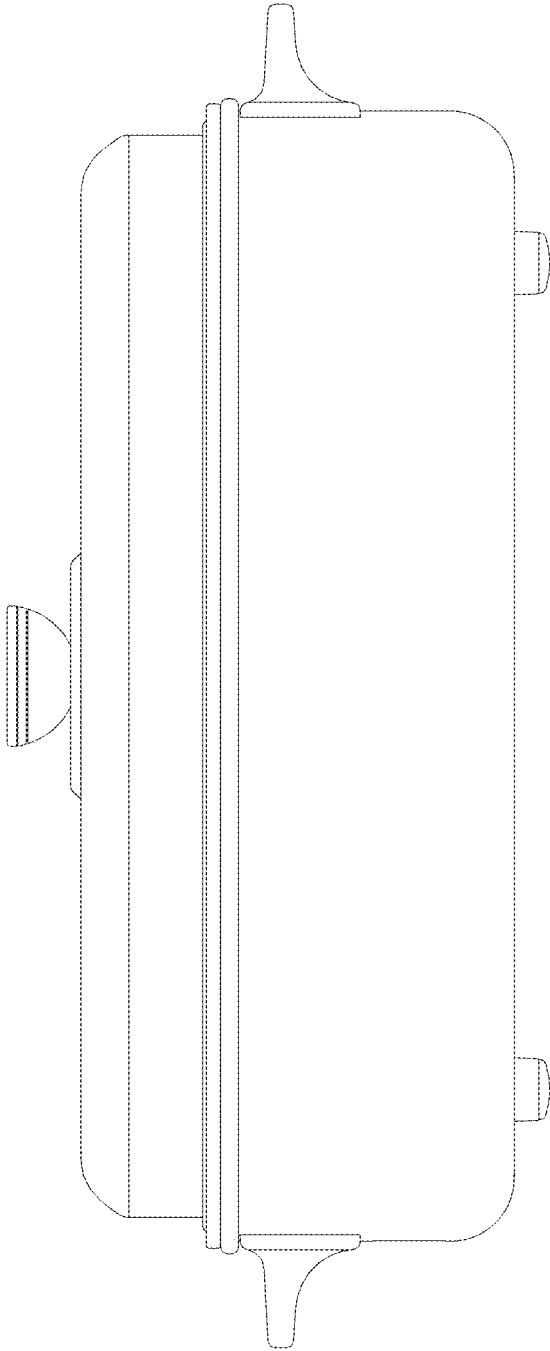


FIG. 3

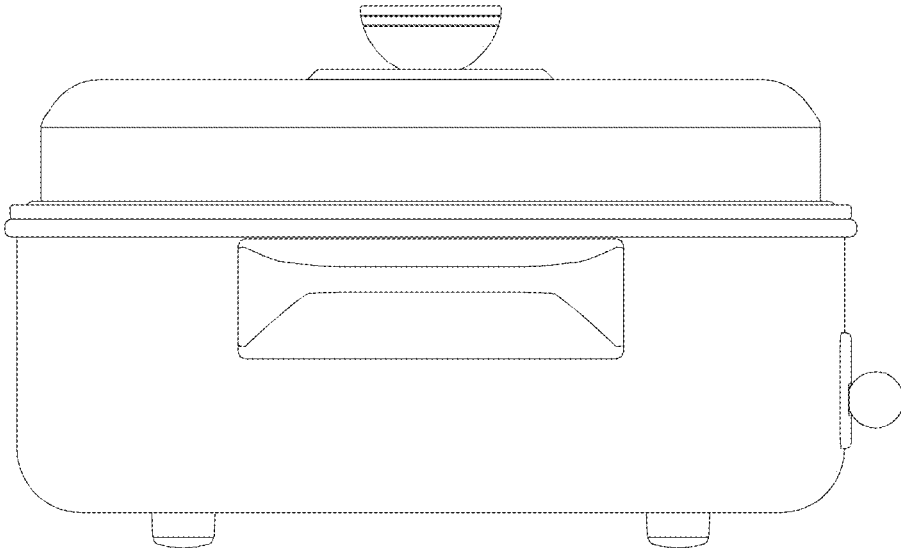


FIG. 4

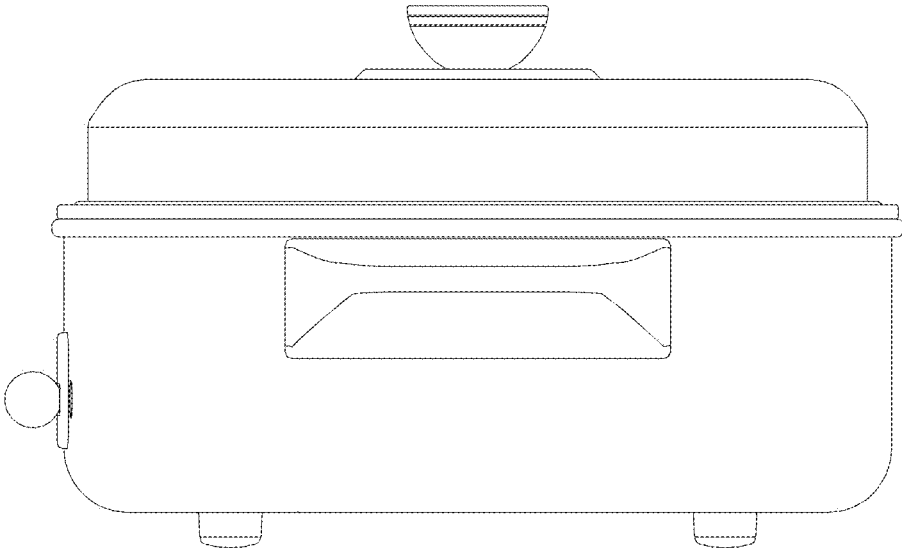


FIG. 5

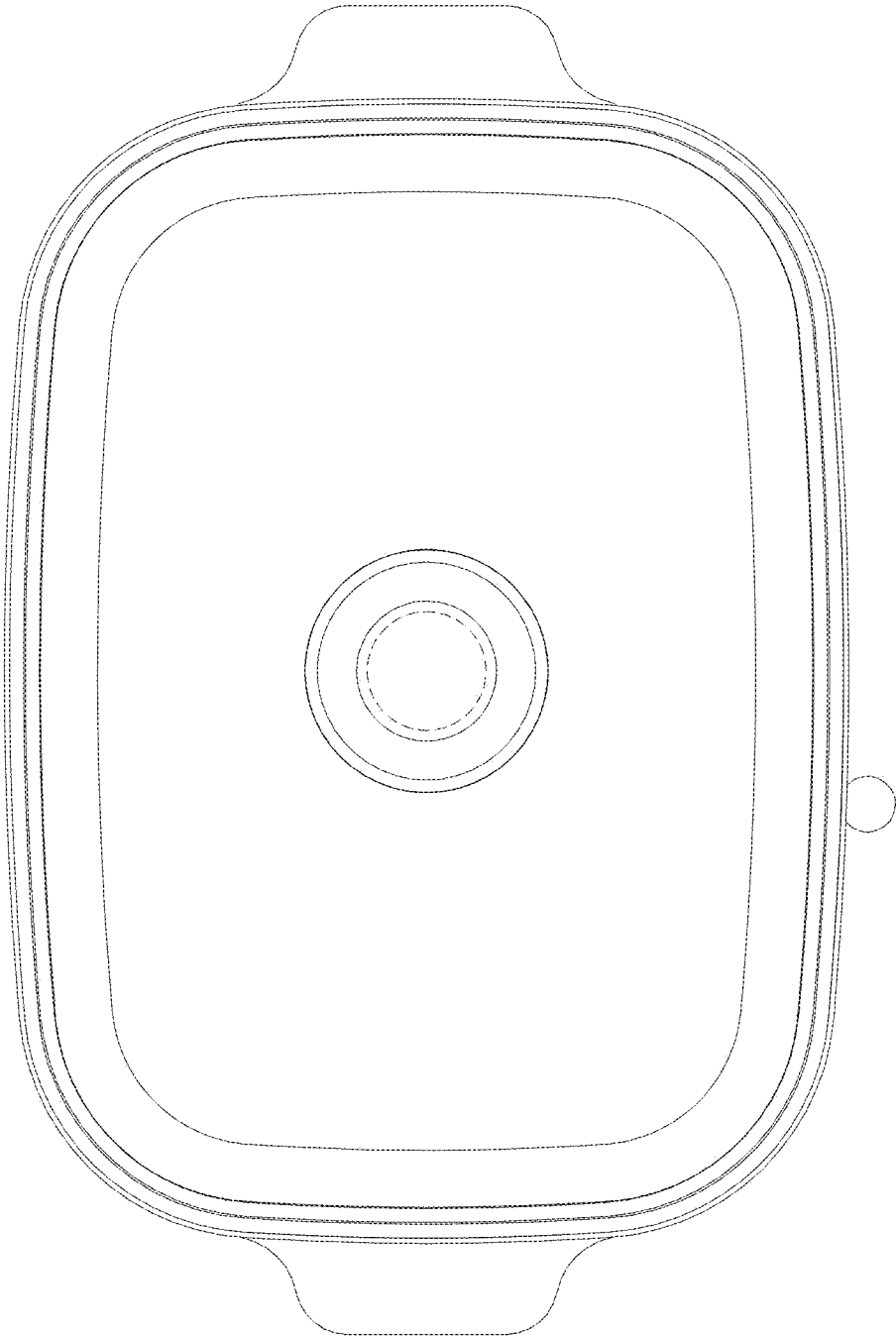


FIG. 6

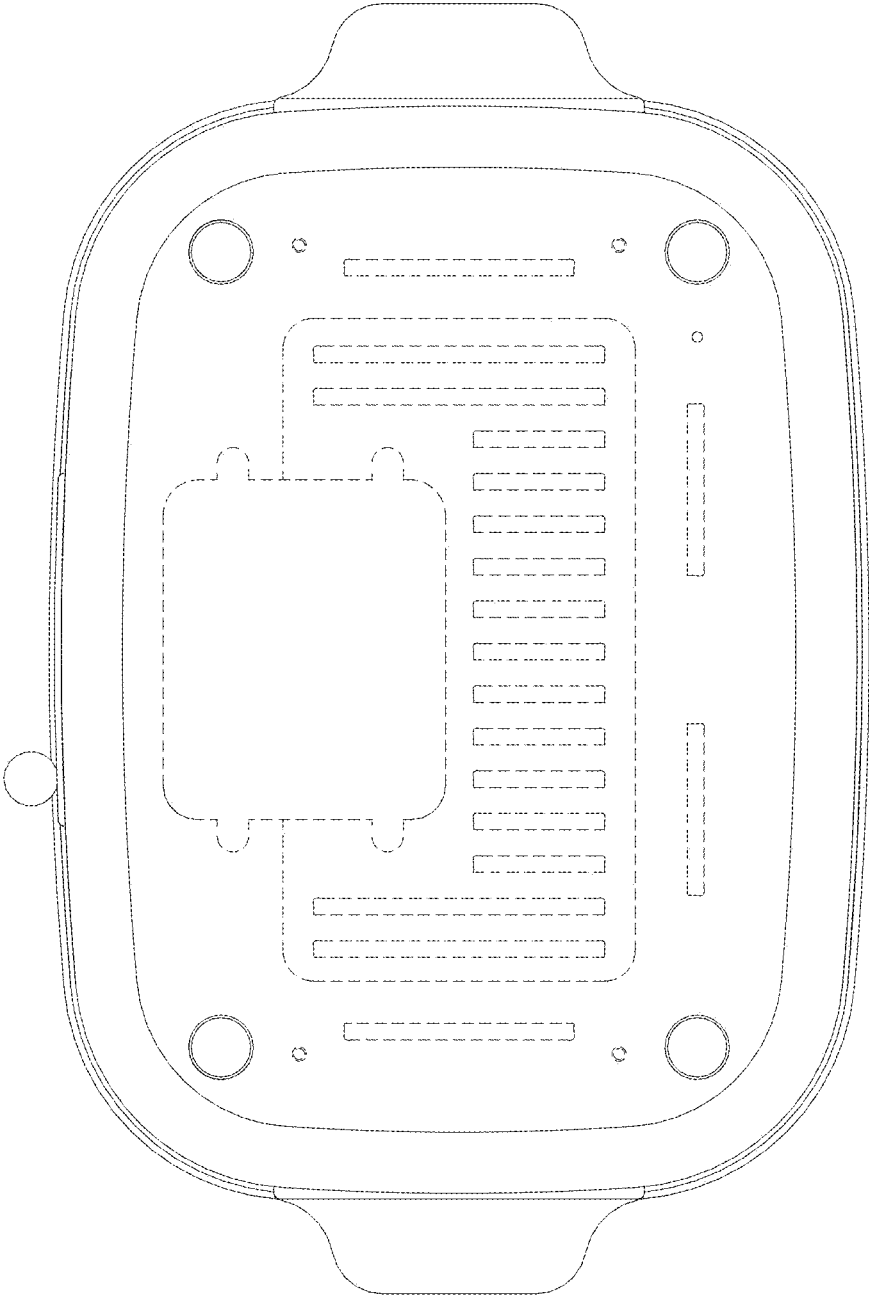


FIG. 7