



US00D334678S

# United States Patent [19]

[11] Patent Number: **Des. 334,678**

Hinden

[45] Date of Patent: **\*\* Apr. 13, 1993**

- [54] TABLE
- [75] Inventor: **Peter Hinden, Remigen, Switzerland**
- [73] Assignee: **Embru-Werke, Mantel & Cie., Switzerland**
- [\*\*] Term: **14 Years**
- [21] Appl. No.: **444,375**
- [22] Filed: **Nov. 30, 1989**

- D. 294,666 3/1988 Favaretto et al. .... D6/487
- D. 318,966 8/1991 Schroff et al. .... D6/484 X
- D. 320,320 10/1991 van Ditshuizen .... D6/484 X

### OTHER PUBLICATIONS

*Domus*—Apr., 1989, center panel table.  
*Interiors*, Oct. 1988, p. 64, Howe/Diffrient Table.

*Primary Examiner*—Alan P. Douglas  
*Assistant Examiner*—Janice E. Seeger  
*Attorney, Agent, or Firm*—Kinzer, Plyer, Dorn,  
 McEachran & Jambor

- [30] Foreign Application Priority Data
- May 30, 1989 [CH] Switzerland ..... 117.462
- [52] U.S. Cl. .... **D6/487; D6/480**
- [58] Field of Search ..... **D6/480, 482-489,**  
**D6/495, 496, 498, 499, 429, 397; 108/50, 33,**  
**139, 147, 150, 127**

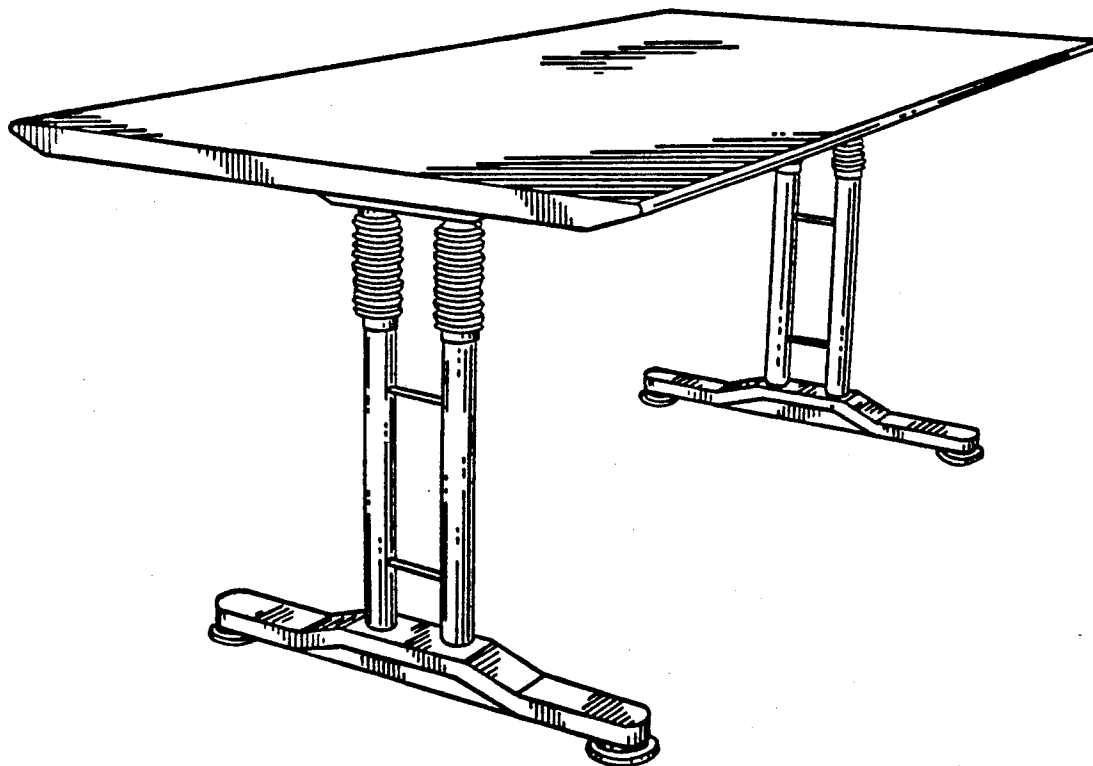
### [57] CLAIM

The ornamental design for a table, as shown and described.

### DESCRIPTION

FIG. 1 is a perspective view of a table, showing my new design;  
 FIG. 2 is an end elevational view, the opposite end being identical thereto; and,  
 FIG. 3 is a side elevational view, the opposite side being identical thereto.

- [56] References Cited
- U.S. PATENT DOCUMENTS
- D. 180,283 5/1957 Hoven ..... D6/487
- D. 248,139 6/1978 Petersen ..... D6/480
- D. 284,532 7/1986 Vogt ..... D6/429 X



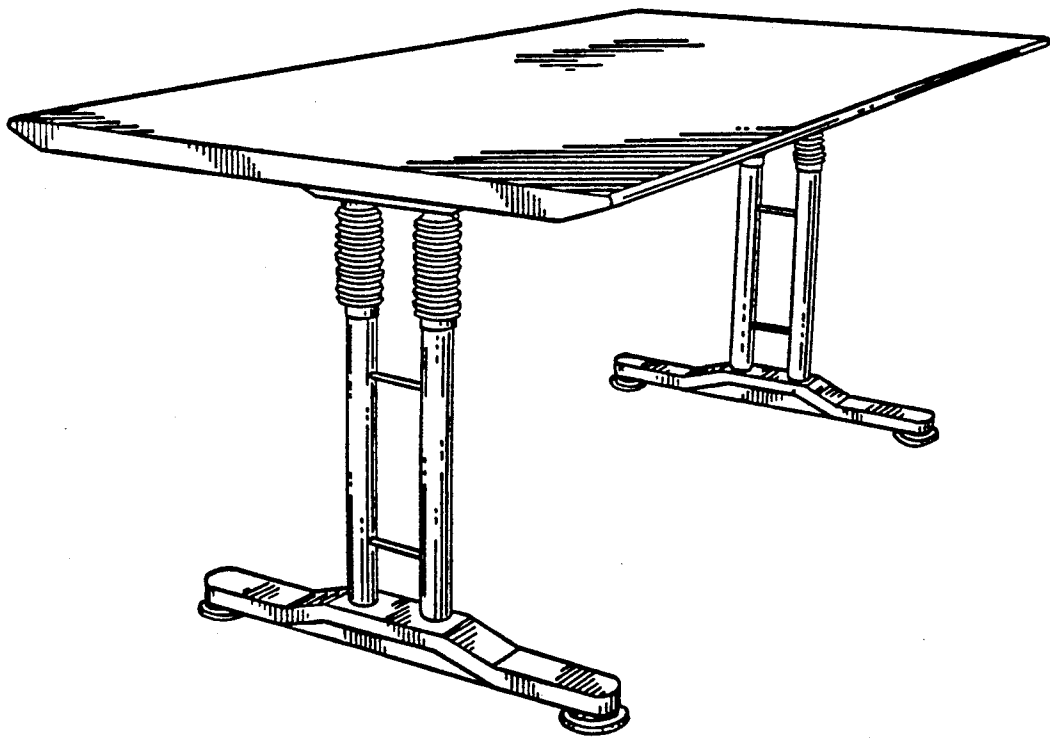


fig. 1.

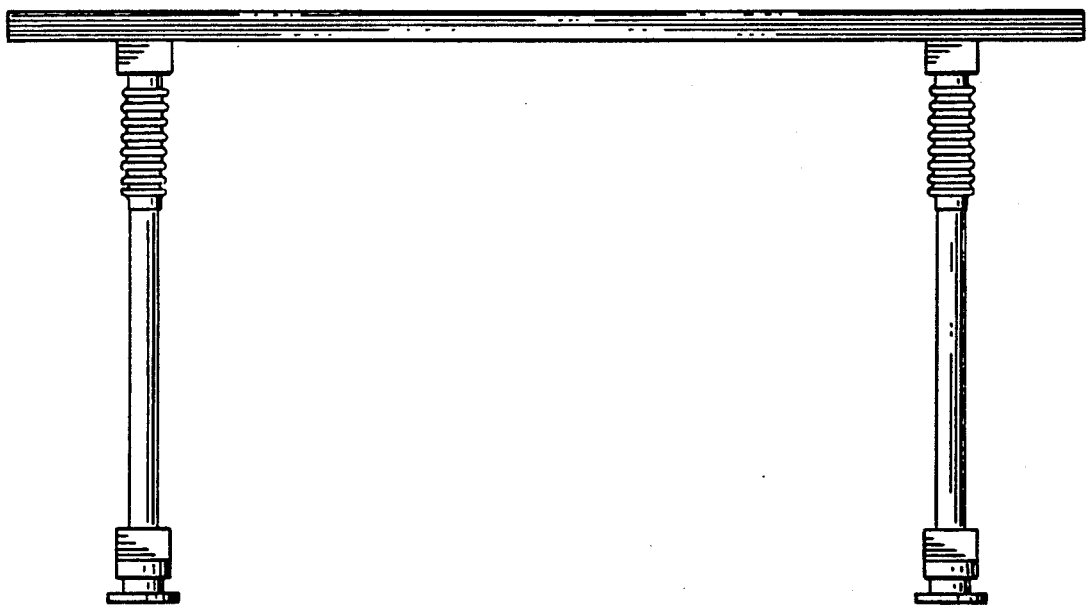
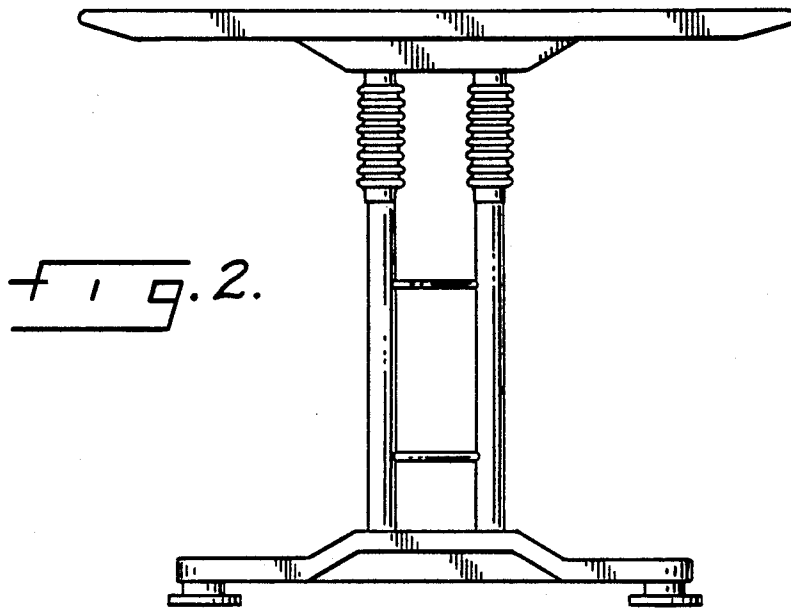


Fig. 3.