



US00D766511S

(12) **United States Design Patent**  
**Filho et al.**

(10) **Patent No.:** **US D766,511 S**

(45) **Date of Patent:** **\*\* Sep. 13, 2016**

(54) **BRUSH RETENTION CLIP**  
(71) Applicant: **Sigma Enterprises, LLC**, New Brighton, MN (US)  
(72) Inventors: **Rene Xavier Filho**, Fort Lauderdale, FL (US); **Simone Rodrigues Oliveira Xavier**, Fort Lauderdale, FL (US)

3,749,233 A 7/1973 McCormick, Jr.  
4,129,918 A 12/1978 Lee  
D286,093 S 10/1986 Coller  
D300,266 S 3/1989 Lane  
4,847,939 A 7/1989 Derencsenyi et al.  
4,871,074 A \* 10/1989 Bryson ..... A45D 20/12  
211/26  
D341,276 S 11/1993 Jones  
(Continued)

(73) Assignee: **Sigma Enterprises, LLC**, New Brighton, MN (US)

(\*\*) Term: **14 Years**

(21) Appl. No.: **29/511,261**

(22) Filed: **Dec. 9, 2014**

(51) **LOC (10) Cl.** ..... **28-03**

(52) **U.S. Cl.**

USPC ..... **D28/73**; D8/396

(58) **Field of Classification Search**

USPC ..... D28/17, 18, 9, 61, 62, 73, 99; D6/567, D6/566, 528, 531, 527, 681.3, 682.2, D6/682.3, 682.5, 682.6, 672, 524, 552, D6/682.4, 680.2; D8/373, 366, 71, 256, D8/376, 38, 395, 396, 354; D19/101, 102, D19/105

CPC ..... A47G 29/08; A47G 29/00; A45D 44/02; A45D 44/18; A45D 44/00; A45D 20/12; A46B 15/0095; A45L 13/512

See application file for complete search history.

(56) **References Cited**

**U.S. PATENT DOCUMENTS**

530,386 A 12/1894 Boeckh, Jr.  
634,570 A 10/1899 Briggs  
816,793 A 4/1906 Harris  
1,359,650 A 11/1920 Amis  
2,263,119 A 11/1941 Cornell  
2,485,068 A 10/1949 Santana  
2,963,150 A 12/1960 Dgetluck  
D195,072 S 4/1963 Kolarik  
3,325,847 A 6/1967 Meranto

**OTHER PUBLICATIONS**

amazon.com, "Insten Cable Wire Cord Clips Organizer . . .", Accessed Feb. 11, 2016. Earliest Review Oct. 27, 2012. ([http://www.amazon.com/Insten-Organizer-Computer-Desktop-6-pieces/product-reviews/B007O5H17M/ref=cm\\_cr\\_dp\\_see\\_all\\_btm?ie=UTF8&showViewpoints=1&sortBy=recent](http://www.amazon.com/Insten-Organizer-Computer-Desktop-6-pieces/product-reviews/B007O5H17M/ref=cm_cr_dp_see_all_btm?ie=UTF8&showViewpoints=1&sortBy=recent)).\*

(Continued)

*Primary Examiner* — Jennifer Rivard

*Assistant Examiner* — April Rivas

(74) *Attorney, Agent, or Firm* — Dorsey & Whitney LLP

(57) **CLAIM**

We claim the ornamental design for a brush retention clip, as shown and described.

**DESCRIPTION**

FIG. 1 is a top perspective environmental view of a brush retention clip.

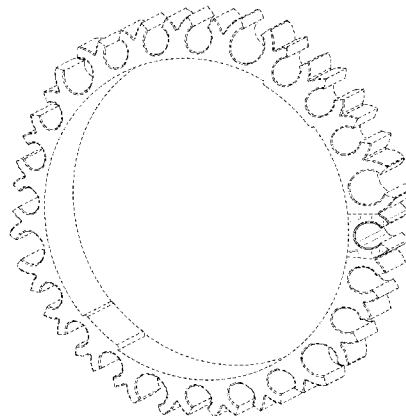
FIG. 2 is an enlarged view of the brush retention clip of FIG. 1.

FIG. 3 is an enlarged front elevation view of the brush retention clip of FIG. 1; and,

FIG. 4 is an enlarged top plan view of the brush retention clip of FIG. 1. The bottom plan view is a mirror image of the top plan view.

The evenly spaced broken lines immediately adjacent solid lines and shading illustrate the bounds of the claimed design. The remaining evenly spaced broken lines and dash-dot broken lines illustrate environment. None of the broken lines form part of the claimed design.

**1 Claim, 4 Drawing Sheets**



(56)

References Cited

U.S. PATENT DOCUMENTS

5,427,239 A 6/1995 Hunt  
 5,543,194 A 8/1996 Rudy  
 D376,309 S \* 12/1996 Takai ..... D8/356  
 D395,815 S \* 7/1998 Walters ..... D8/354  
 D406,749 S \* 3/1999 Selk ..... D8/356  
 D421,318 S 2/2000 O'Brien  
 6,199,694 B1 3/2001 Van Diest et al.  
 D439,828 S \* 4/2001 Kiely ..... D8/356  
 D454,012 S 3/2002 Chen  
 D455,925 S \* 4/2002 Carlson ..... D6/531  
 D470,937 S \* 2/2003 Gary ..... D24/138  
 D480,938 S 10/2003 Whitley  
 6,752,267 B2 6/2004 MacPherson et al.  
 D508,842 S \* 8/2005 Paolini ..... D8/395  
 7,140,061 B2 11/2006 Baker et al.  
 D544,264 S 6/2007 Gallagher  
 D568,254 S \* 5/2008 Patchett ..... D13/155  
 D587,564 S \* 3/2009 Kodi ..... D8/354  
 D597,403 S \* 8/2009 Ho ..... D8/356  
 D601,879 S 10/2009 Kim  
 D621,693 S \* 8/2010 Dong ..... D8/356  
 D634,566 S 3/2011 Gonnelli  
 D644,501 S \* 9/2011 Chen ..... D8/356  
 D652,517 S \* 1/2012 Weaver ..... D24/134  
 D674,271 S 1/2013 Rodwin  
 D680,773 S 4/2013 Tebbe  
 D691,032 S \* 10/2013 Chen ..... D8/396  
 D691,873 S 10/2013 Ganski  
 D691,876 S 10/2013 Ganski  
 D691,877 S 10/2013 Ganski  
 D701,000 S \* 3/2014 DiGirolamo ..... D28/73  
 D733,534 S \* 7/2015 Altrichter ..... D8/356

D733,535 S \* 7/2015 Egami ..... D8/356  
 D741,149 S 10/2015 Koop  
 2001/0042281 A1 11/2001 Forsline  
 2004/0099624 A1 \* 5/2004 Hein ..... A47L 13/512  
 211/89.01  
 2004/0025084 A1 12/2004 Baker et al.  
 2007/0056130 A1 3/2007 Baker et al.  
 2007/0151573 A1 7/2007 Christian  
 2015/0128444 A1 \* 5/2015 Filho ..... A46B 15/0095  
 34/282

OTHER PUBLICATIONS

"Caring for your Make-Up Brushes." Basic MakeUp and Anti Aging Products. 4 pages. Obtained Oct. 27, 2011 from <<http://www.basicmakeup.com/make-up-brushes/>>.  
 "Cosmetic Brushes." Basic MakeUp and Anti Aging Products. 4 pages. Obtained Oct. 27, 2011 from <<http://www.basicmakeup.com/cosmetic-brushes/>>.  
 "Makeup Brush Cleaning." 3 pages. Obtained Oct. 27, 2011 from <<http://makeup.beautyhill.com/makeup-brush-cleaning.html/>>.  
 "The Brush Guard." 2 pages. Obtained Oct. 27, 2011 from <<http://www.thebrushguard.com/use.html>>.  
 Amazon.com, "W-Tool Nail Art Pen Pot Brush Cleaner Holder," cited in related design U.S. Appl. No. 29/511 242 on Feb. 8, 2016 ([http://www.amazon.com/W-Tool-Nail-Brush-Cleaner-Holder/dp/B00FNFZHGY/ref=sr\\_1\\_92?s=arts-crafts&ie=UTF8&qid=1453927326%sr=1-92&keywords=brush+holder](http://www.amazon.com/W-Tool-Nail-Brush-Cleaner-Holder/dp/B00FNFZHGY/ref=sr_1_92?s=arts-crafts&ie=UTF8&qid=1453927326%sr=1-92&keywords=brush+holder)), 3 pages.  
 Cloud10beauty.com, "Sigma Beauty Dryn Shape Tower Full Set," cited in related design U.S. Appl. No. 29/511,242 on Feb. 8, 2016 (<http://www.cloud10beauty.com/sigma-beauty-dryn-n-shape-tower-full-set.html>), 3 pages.

\* cited by examiner

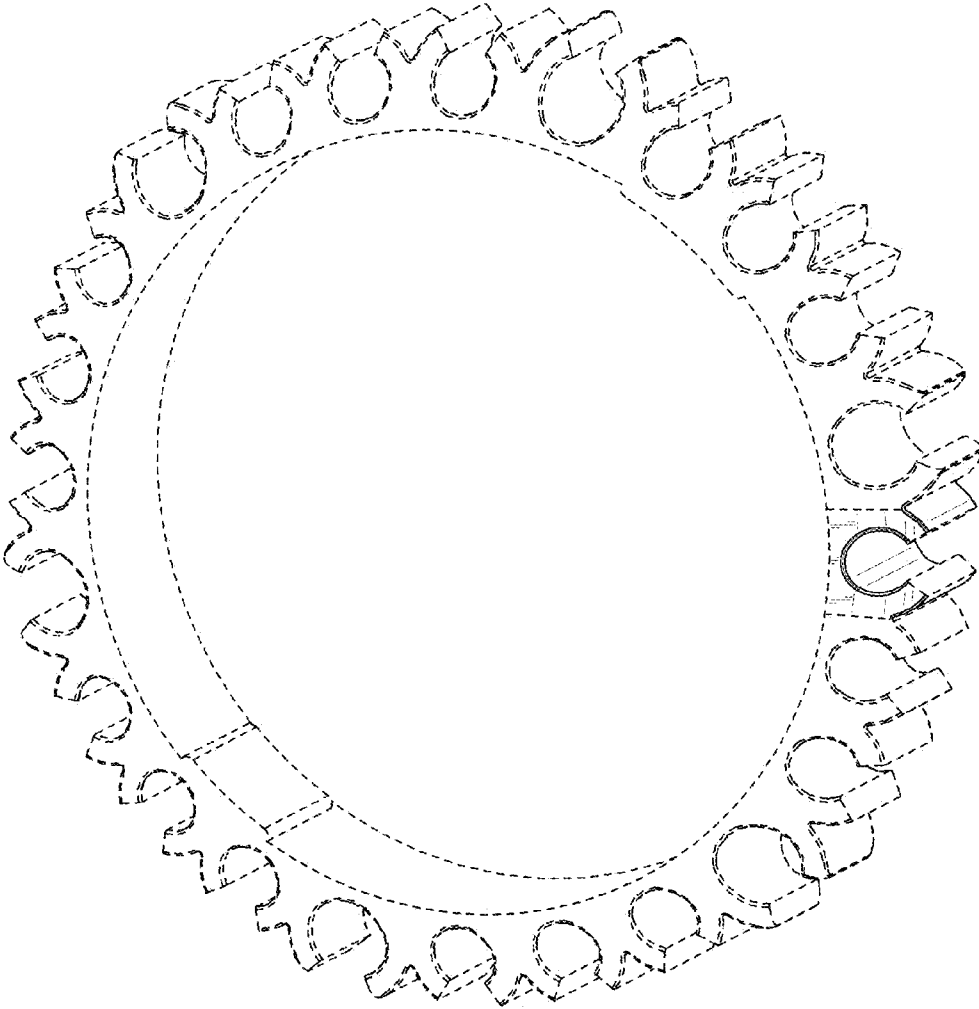


FIG. 1

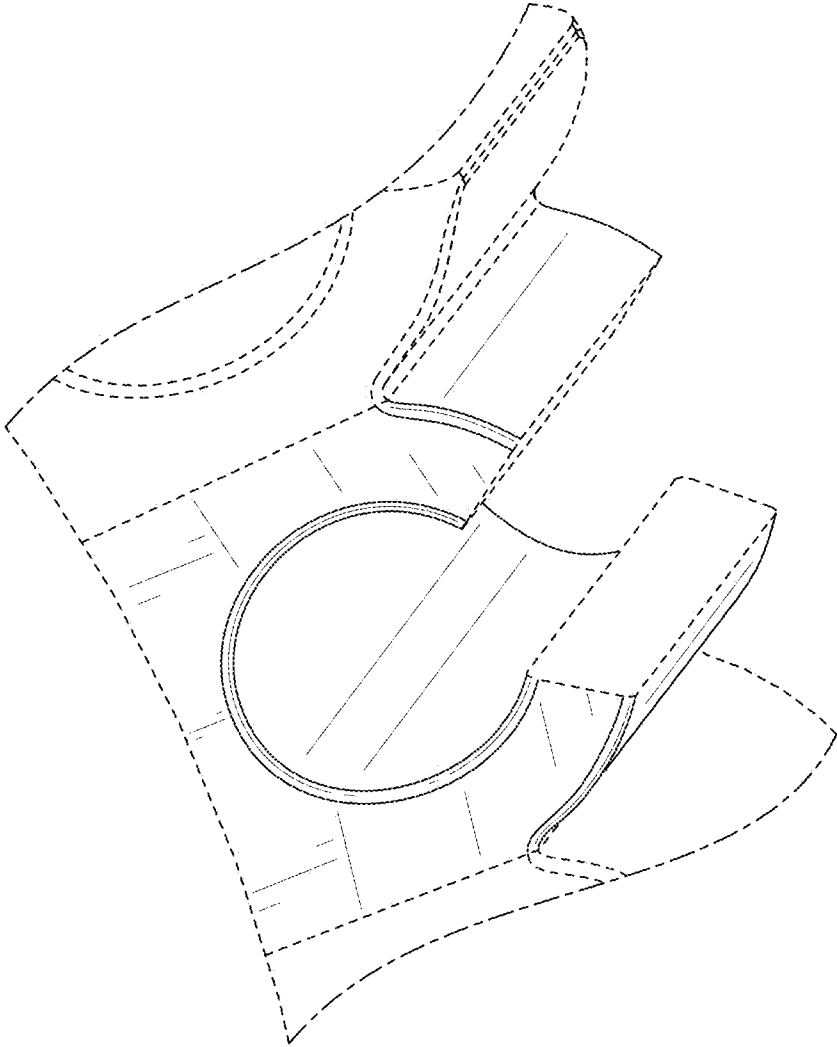


FIG. 2

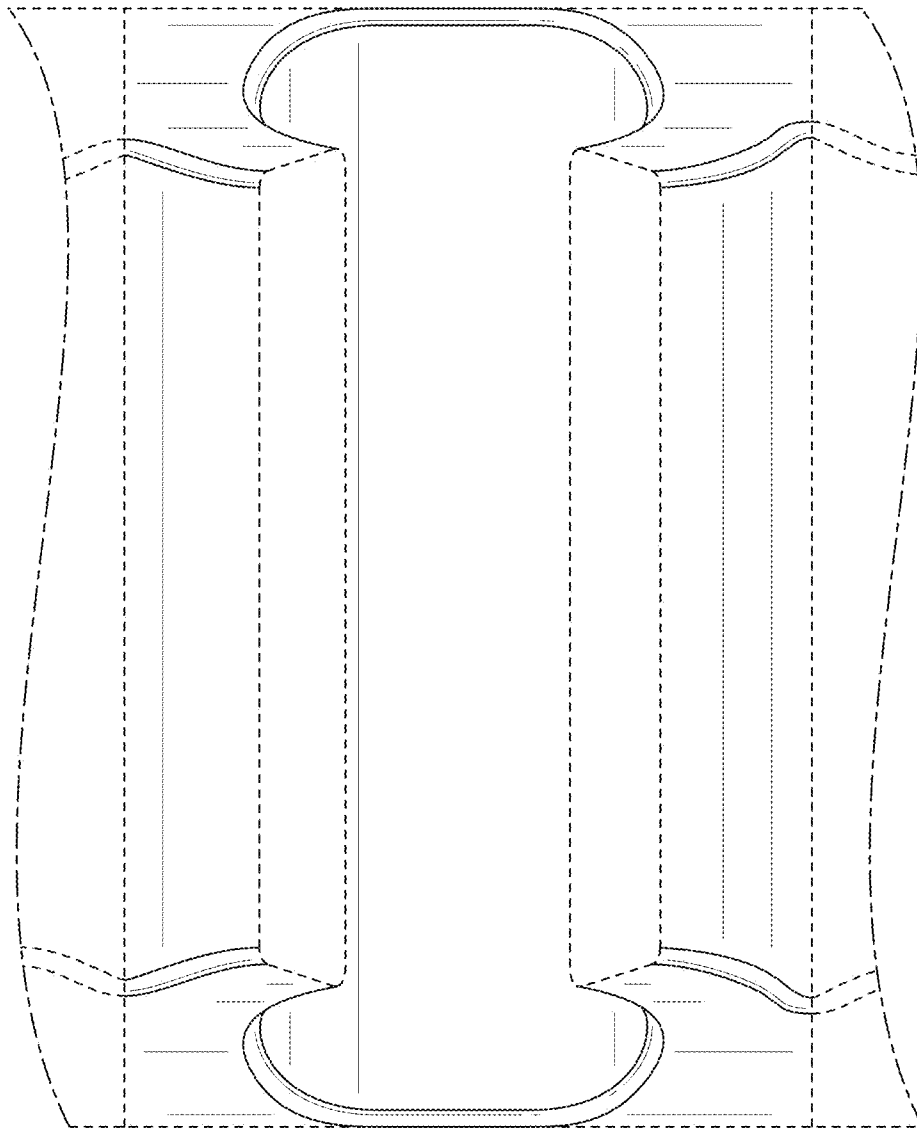


FIG. 3

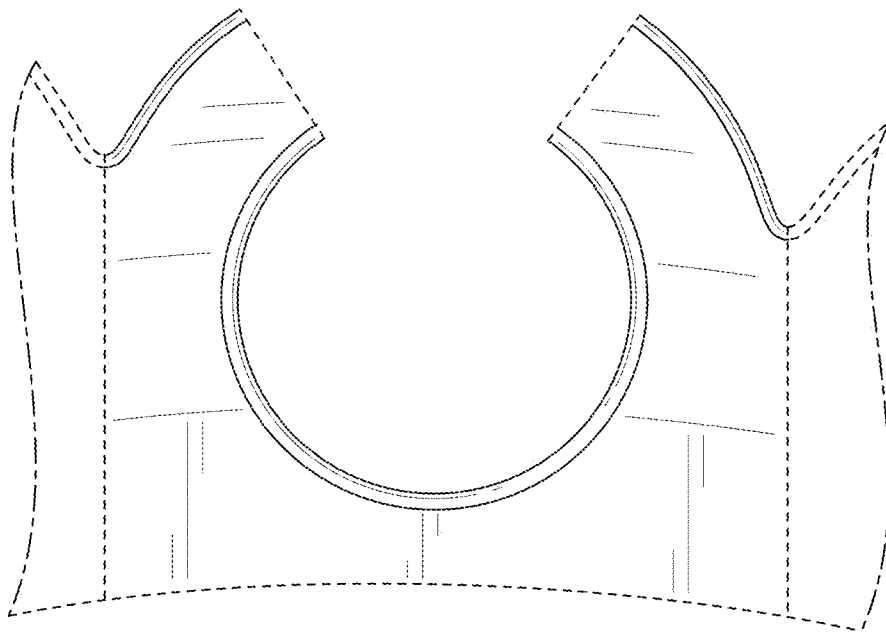


FIG. 4