



US00D749391S

(12) **United States Design Patent**
Payne

(10) **Patent No.:** **US D749,391 S**

(45) **Date of Patent:** **** Feb. 16, 2016**

- (54) **WIRE STRIPPER**
- (71) Applicant: **Southwire Company, LLC**, Carrollton, GA (US)
- (72) Inventor: **John Lawrence Payne**, Newnan, GA (US)
- (73) Assignee: **Southwire Company, LLC**, Carrollton, GA (US)
- (**) Term: **14 Years**
- (21) Appl. No.: **29/504,891**
- (22) Filed: **Oct. 10, 2014**
- (51) **LOC (10) Cl.** **08-05**
- (52) **U.S. Cl.**
USPC **D8/98**
- (58) **Field of Classification Search**
USPC D8/14, 51, 52, 98
CPC H02G 1/224; H02G 1/1214; B25F 1/00
See application file for complete search history.

- 7,137,204 B2 * 11/2006 Wiste H02G 1/1214
30/113
- 7,216,431 B2 * 5/2007 Holliday H02G 1/1224
30/250
- D688,927 S * 9/2013 Wong D8/52
- 8,733,212 B2 * 5/2014 Liu B25F 1/02
7/107
- 2012/0079663 A1 * 4/2012 Willard B25F 1/00
7/107

* cited by examiner

Primary Examiner — Phillip S Hyder

(74) *Attorney, Agent, or Firm* — Hartman & Citrin LLC

(57) **CLAIM**

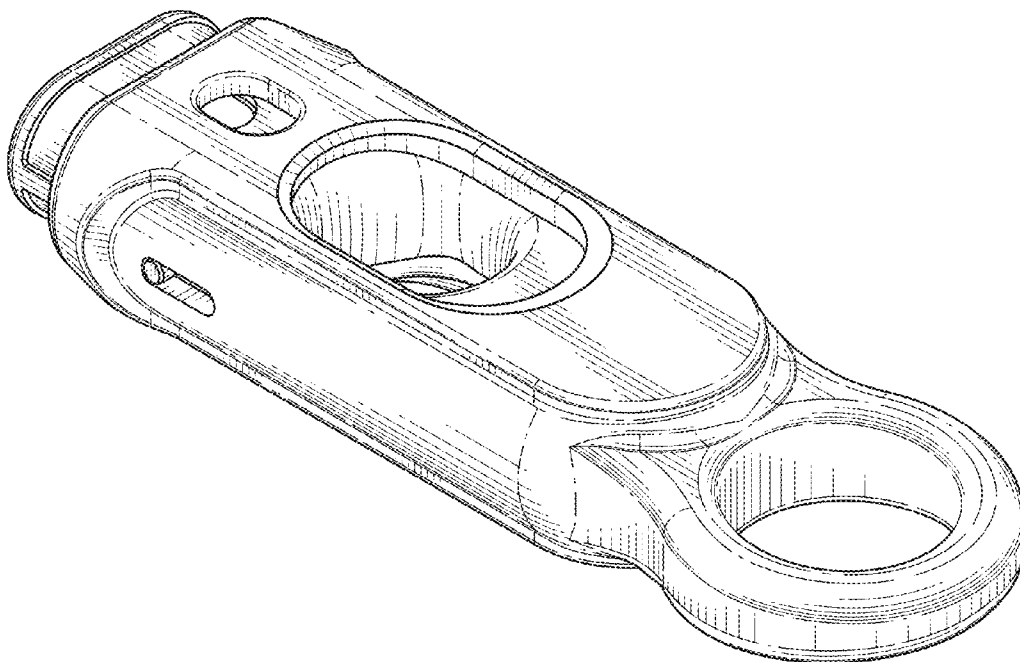
The ornamental design for a wire stripper, as shown and described.

DESCRIPTION

FIG. 1 is a perspective view of an embodiment of a wire stripper according to my design;
 FIG. 2 is a front elevation view thereof
 FIG. 3 is a rear elevation view thereof;
 FIG. 4 is a left side elevation view thereof
 FIG. 5 is a right side elevation view thereof;
 FIG. 6 is a top plan view thereof; and,
 FIG. 7 is a bottom plan view thereof.
 Broken lines having repeated short dashes in the Figures are for illustrative purposes only and form no part of the claimed design. Shade lines having a combination of long and short lines in the Figures show contour and not surface ornamentation.

1 Claim, 3 Drawing Sheets

- (56) **References Cited**
U.S. PATENT DOCUMENTS
- 4,805,302 A * 2/1989 Steiner H02G 1/1224
30/90.1
- 6,058,606 A * 5/2000 Hepworth H02G 1/1224
30/90.1
- 6,089,125 A * 7/2000 Cheng H02G 1/1212
81/9.44
- D481,607 S * 11/2003 Ahlgren D8/51
- 7,003,883 B2 * 2/2006 Tapper H02G 1/1224
30/109



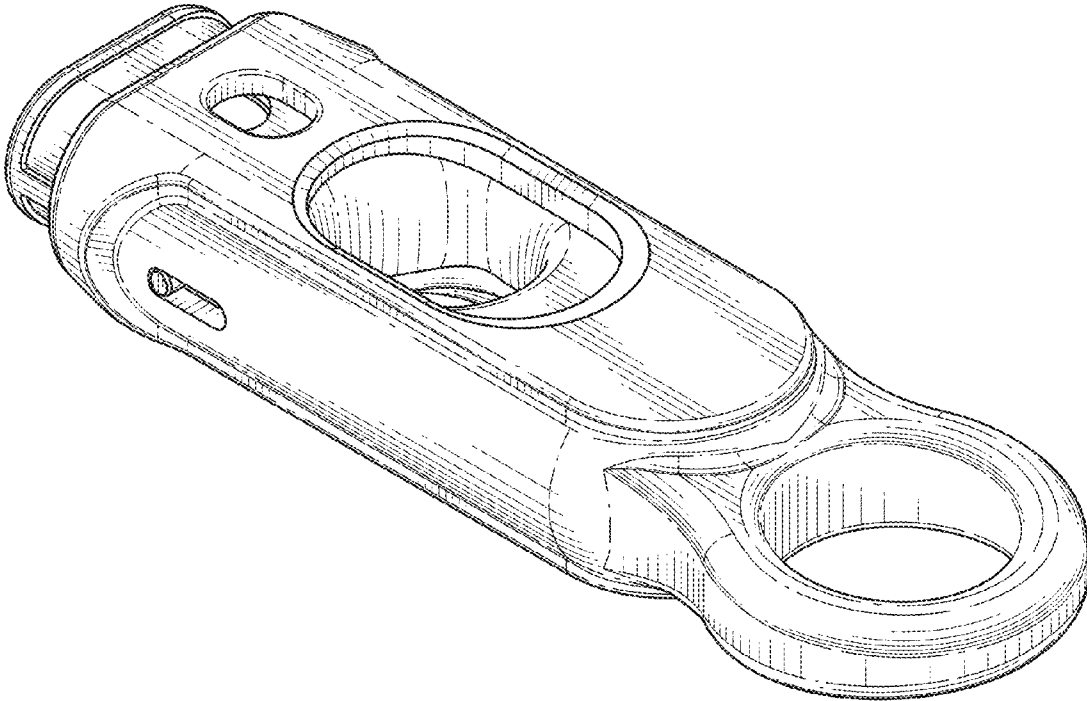


Figure 1

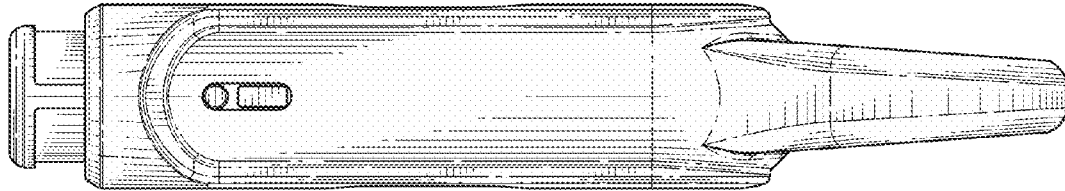


Figure 2

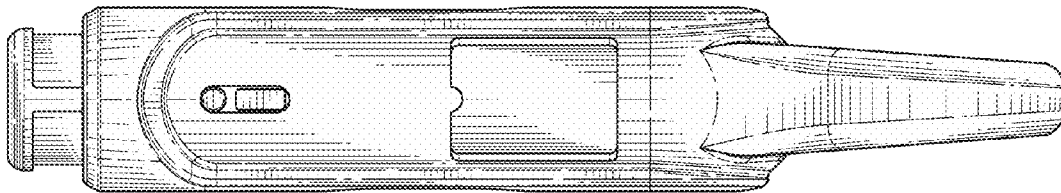


Figure 3

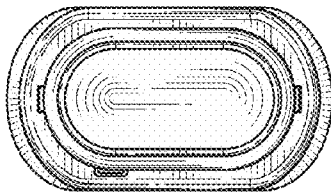


Figure 4

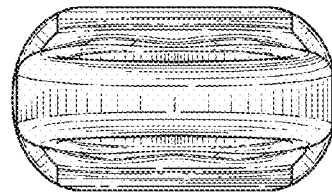


Figure 5

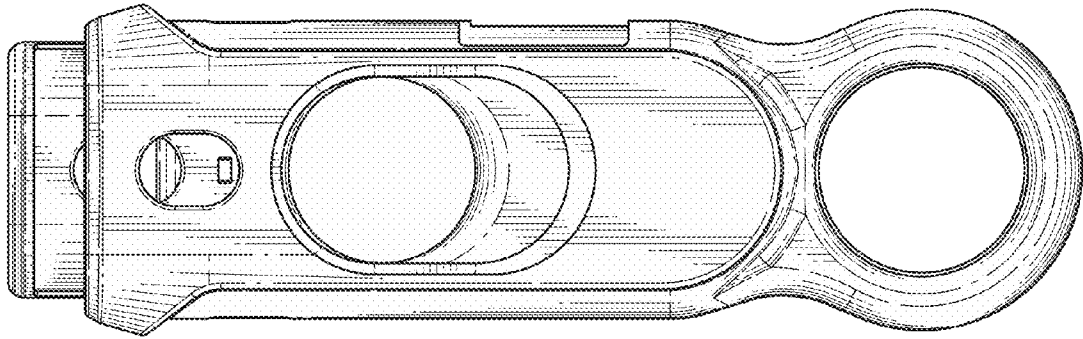


Figure 6

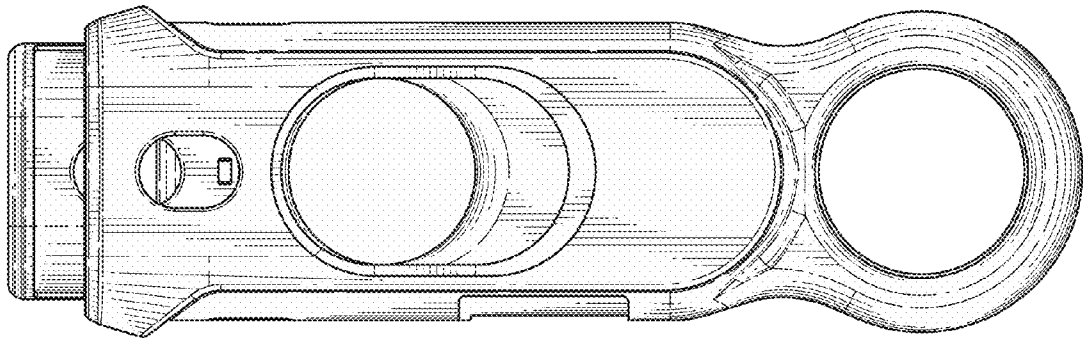


Figure 7