



US00D819538S

(12) **United States Design Patent**  
**Badstuebner et al.**

(10) **Patent No.:** **US D819,538 S**  
(45) **Date of Patent:** **\*\* Jun. 5, 2018**

- (54) **WHEEL OR WHEEL COVER**
- (71) Applicant: **Daimler AG**, Stuttgart (DE)
- (72) Inventors: **Achim-Dietrich Badstuebner**, Munich (DE); **Robert Lesnik**, Leonberg (DE); **Peter Riedel**, Holzgerlingen (DE); **Volker Leutz**, Neckartailfingen (DE)
- (73) Assignee: **Daimler AG**, Stuttgart (DE)

D636,320	S	*	4/2011	Lamm	.....	D12/211
D660,769	S	*	5/2012	Pollmann	.....	D12/211
D661,239	S	*	6/2012	Pollmann	.....	D12/209
D671,481	S	*	11/2012	Amezketta	.....	D12/211
D681,540	S	*	5/2013	Zhao	.....	D12/211
D713,773	S	*	9/2014	Scheinhutte	.....	D12/209
D718,696	S	*	12/2014	Gotschke	.....	D12/209
D774,436	S	*	12/2016	Valencia Pollex	.....	D12/209
D786,766	S	*	5/2017	Rueckheim	.....	D12/209
D789,268	S	*	6/2017	Gallert	.....	D12/209
D801,906	S	*	11/2017	Burki	.....	D12/211

(\*\*) Term: **15 Years**

(21) Appl. No.: **29/605,672**

(22) Filed: **May 30, 2017**

(51) **LOC (11) Cl.** ..... **12-16**

(52) **U.S. Cl.**  
USPC ..... **D12/211**

(58) **Field of Classification Search**  
USPC ..... D12/204, 205, 206, 207, 208, 209, 210, D12/211, 212, 213  
CPC .... B60B 7/00; B60B 7/01; B60B 7/02; B60B 7/04; B60B 7/06; B60B 3/02; B60B 3/04; B60B 3/06; B60B 3/10; B60B 1/00; B60B 1/08; B60B 1/10; B60B 1/12  
See application file for complete search history.

(56) **References Cited**

**U.S. PATENT DOCUMENTS**

D472,865	S	*	4/2003	Wechner	.....	D12/211
D597,015	S	*	7/2009	Juergens	.....	D12/211

**OTHER PUBLICATIONS**

[http://www.mandruswheels.com/mercedes\\_benz\\_wheels.php](http://www.mandruswheels.com/mercedes_benz_wheels.php)—Retrieved on Mar. 7, 2018.\*

\* cited by examiner

*Primary Examiner* — Manpreet S Matharu  
*Assistant Examiner* — Mojtaba Tehrani  
(74) *Attorney, Agent, or Firm* — Crowell & Moring LLP

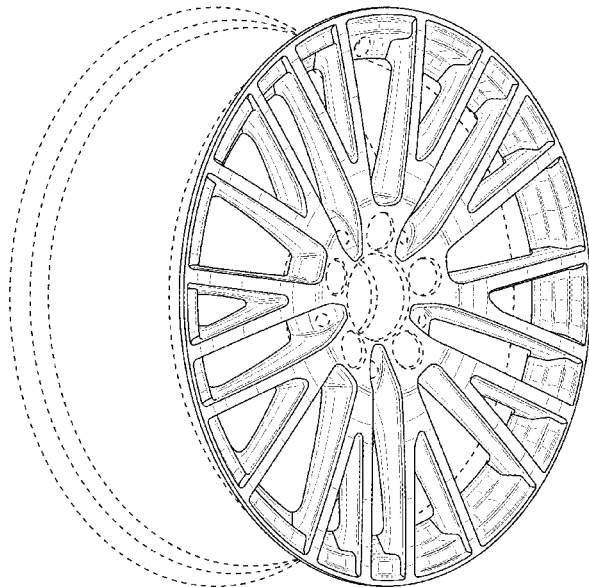
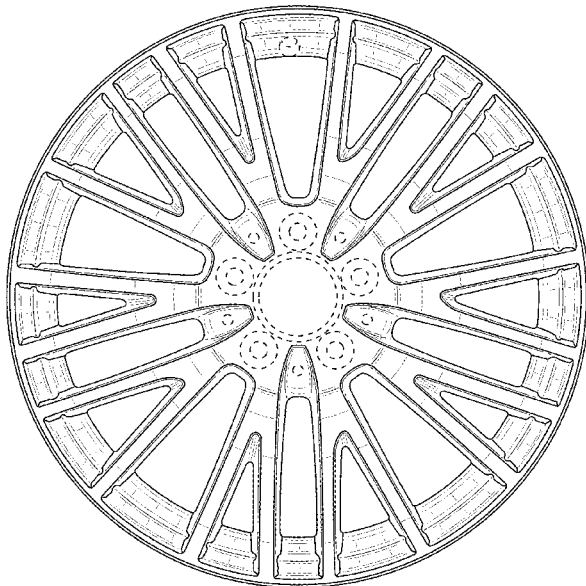
(57) **CLAIM**

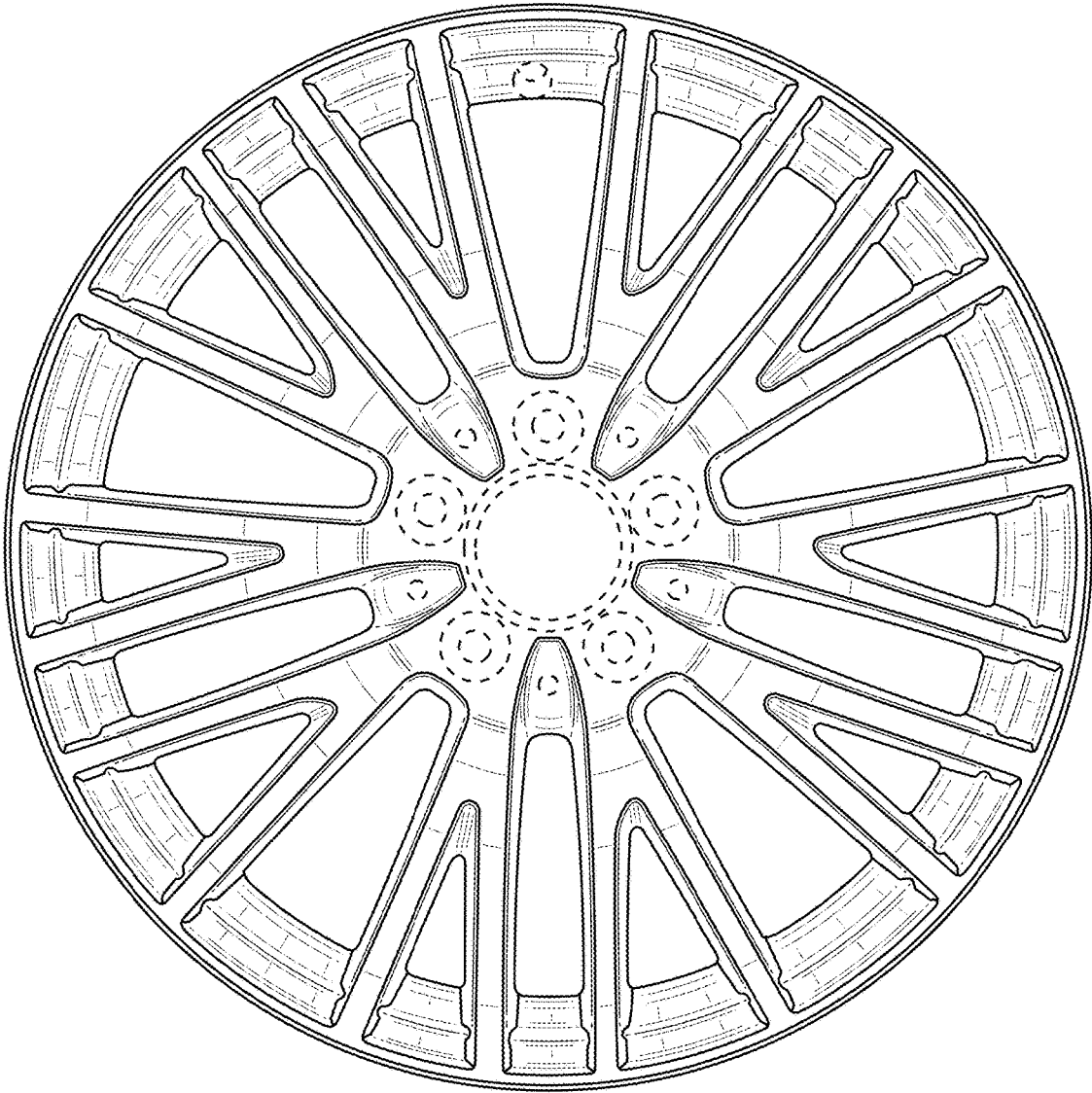
The ornamental design for a wheel or wheel cover, as shown and described.

**DESCRIPTION**

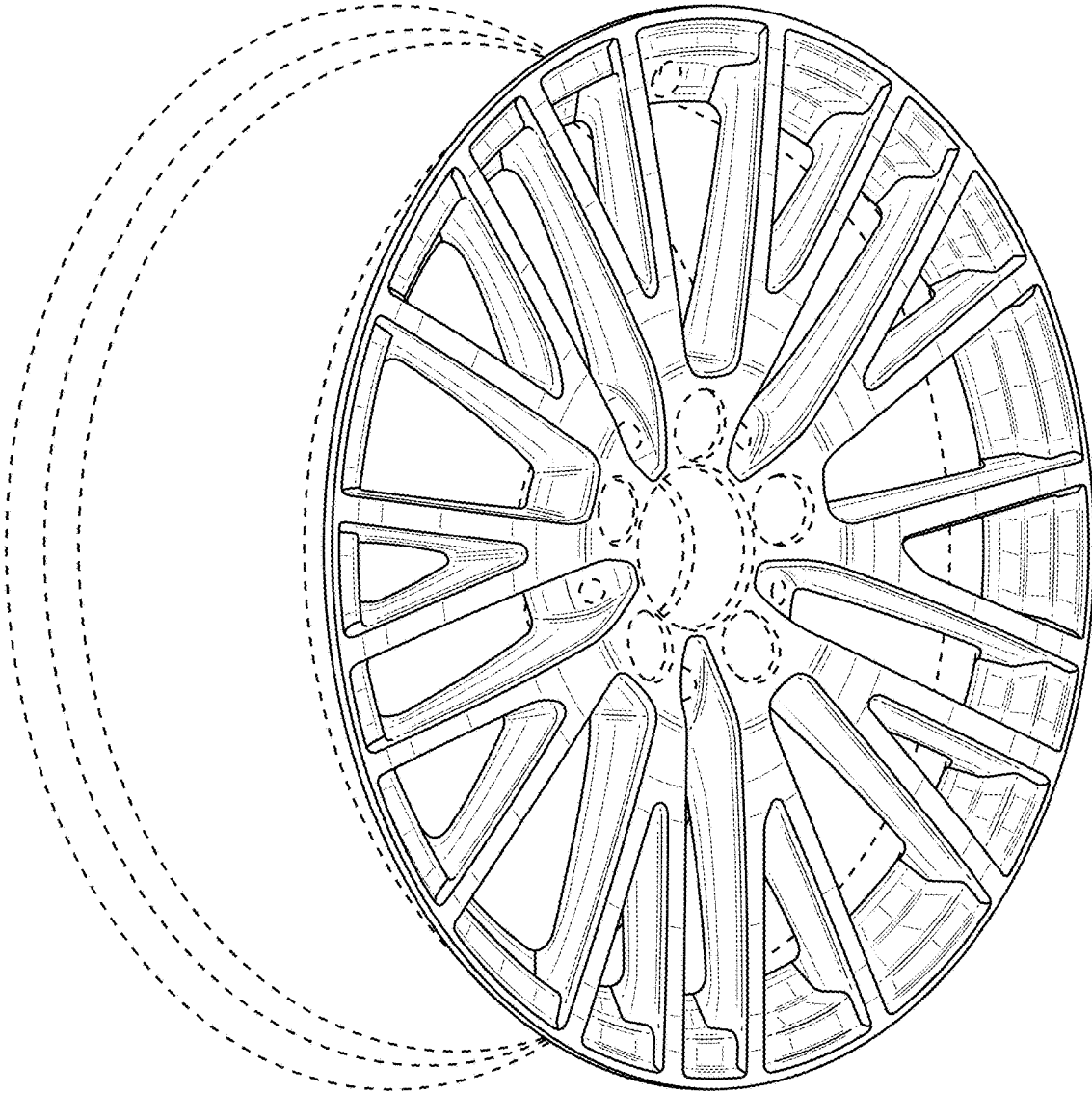
FIG. 1 is a front view of a wheel or wheel cover according to the design; and, FIG. 2 is a perspective view thereof. The broken lines in the drawings illustrate environmental subject matter only and form no part of the claimed design.

**1 Claim, 2 Drawing Sheets**





**FIG. 1**



**FIG. 2**