



US00D434164S

United States Patent [19]
Galli

[11] **Patent Number: Des. 434,164**

[45] **Date of Patent: ** Nov. 21, 2000**

[54] **FLASHLIGHT HEAD**

[75] **Inventor: Robert D. Galli, Las Vegas, Nev.**

[73] **Assignee: Emissive Energy Corporation, Warwick, R.I.**

[**] **Term: 14 Years**

[21] **Appl. No.: 29/119,448**

[22] **Filed: Mar. 1, 2000**

[51] **LOC (7) Cl. 26-02**

[52] **U.S. Cl. D26/49**

[58] **Field of Search D26/37-50; 362/307, 362/308, 309, 157, 158, 183-208**

[56] **References Cited**

U.S. PATENT DOCUMENTS

D. 351,672	10/1994	Jsay	D26/37
D. 380,060	6/1997	Chiang	D26/37
D. 392,402	3/1998	Chen	D26/37
D. 421,657	3/2000	Siebert	D26/37

Primary Examiner—Marcus A. Jackson
Attorney, Agent, or Firm—Barlow, Josephs & Holmes, Ltd.

[57] **CLAIM**

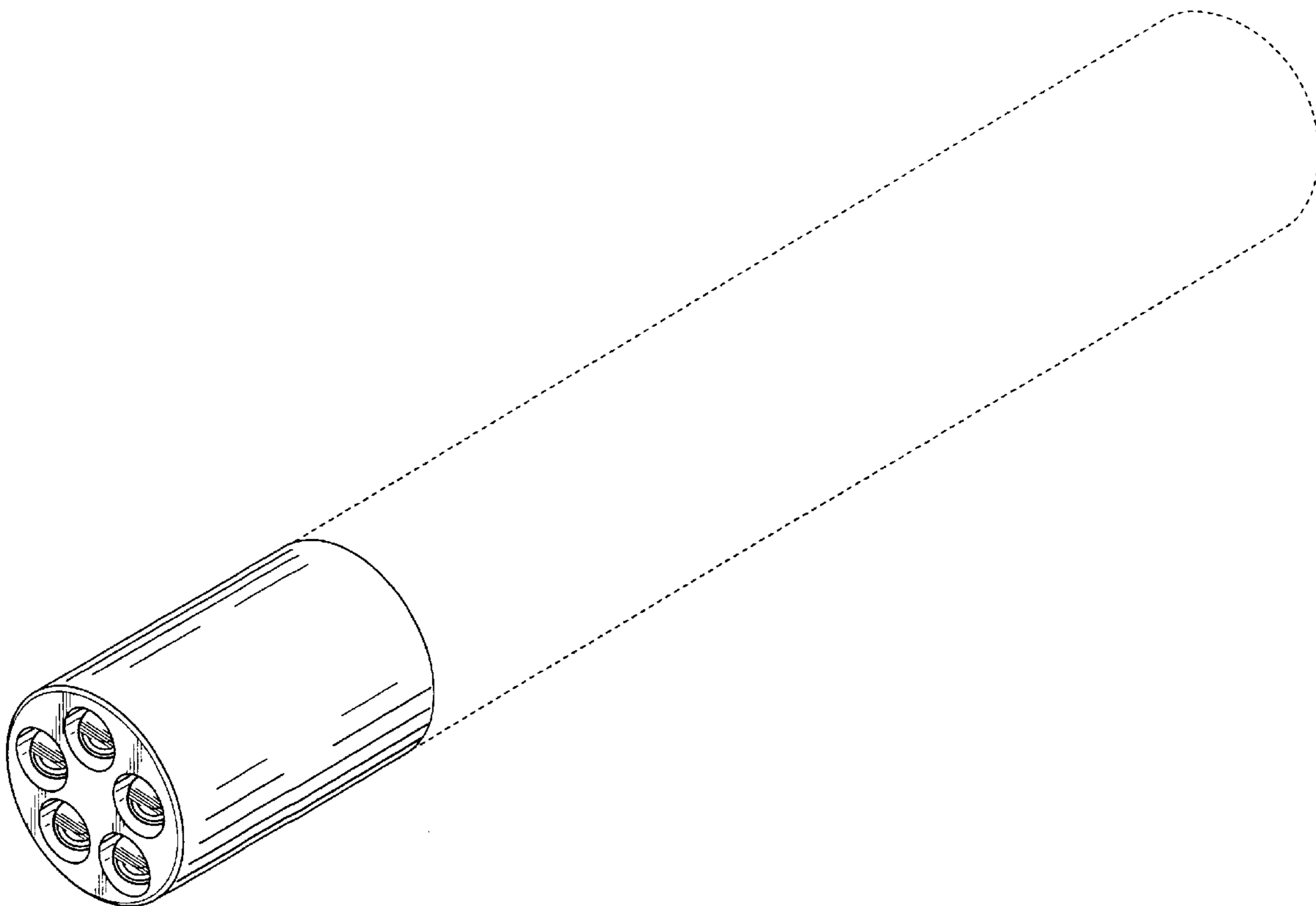
The ornamental design for a flashlight head, as shown and described.

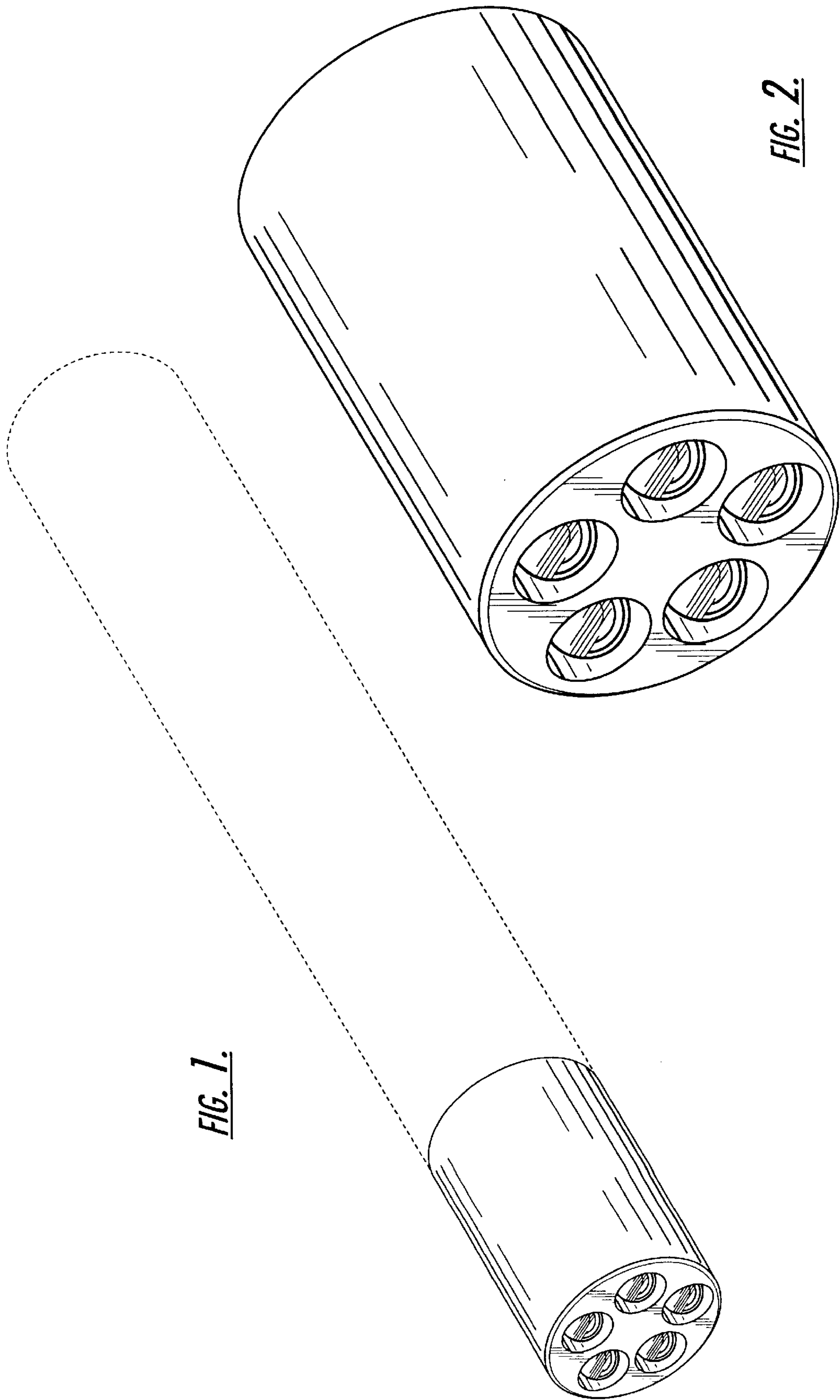
DESCRIPTION

FIG. 1 is a perspective view showing my new design for a flashlight head;
FIG. 2 is an enlarged perspective view thereof;
FIG. 3 is a side view thereof, all sides thereof being identical;
FIG. 4 is a front view thereof;
FIG. 5 is a rear view thereof;
FIG. 6 is a perspective view of a second embodiment of the new design for a flashlight head;
FIG. 7 is a front view thereof;
FIG. 8 is a perspective view of a third embodiment of the new design for a flashlight head;
FIG. 9 is a front view thereof;
FIG. 10 is a perspective view of a fourth embodiment of the new design for a flashlight head;
FIG. 11 is a front view thereof;
FIG. 12 is a perspective view of a fifth embodiment of the new design for a flashlight head; and,
FIG. 13 is a front view thereof.

The broken lines in the drawing figures are for illustrative purposes only and do not form a part of the claimed design.

1 Claim, 6 Drawing Sheets





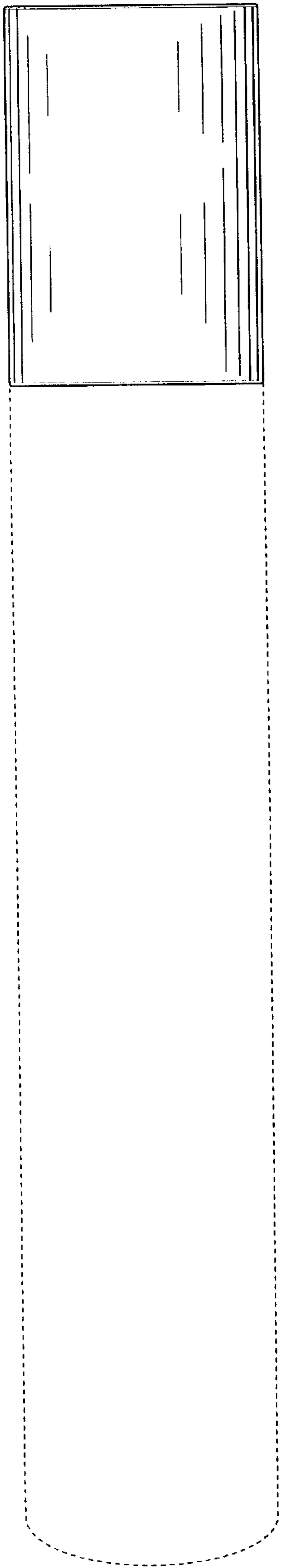


FIG. 3.

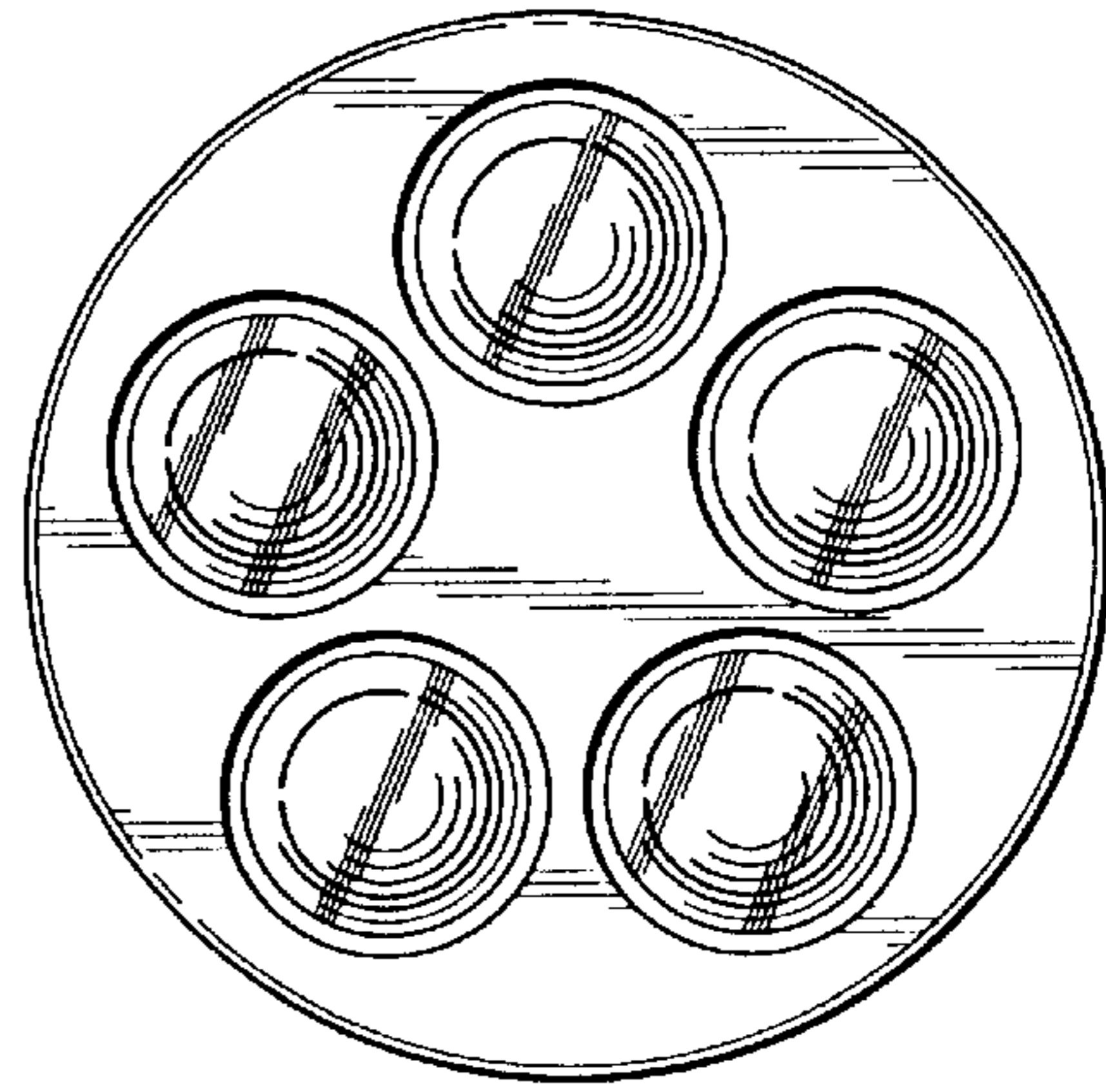


FIG. 4.

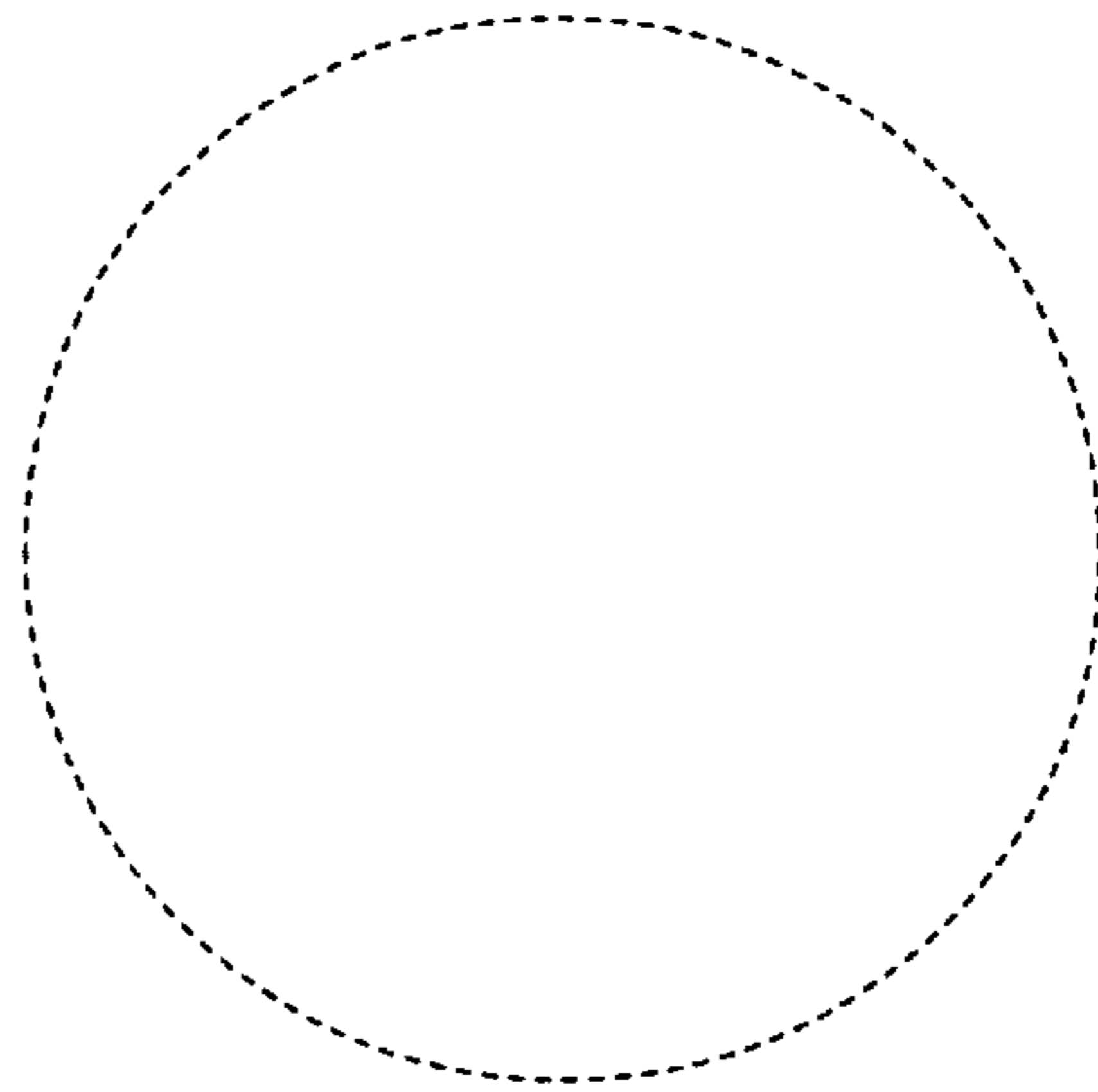


FIG. 5.

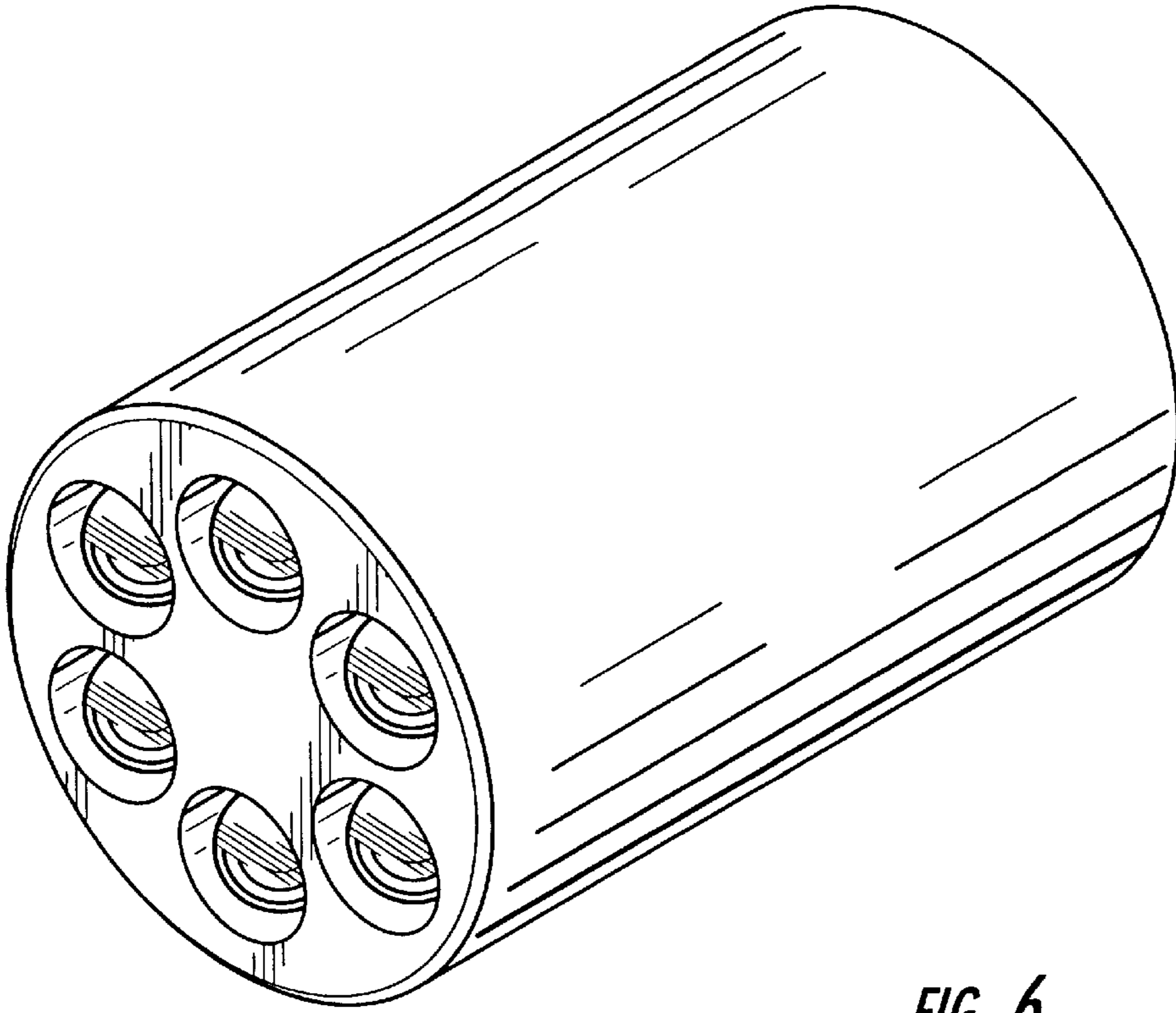


FIG. 6.

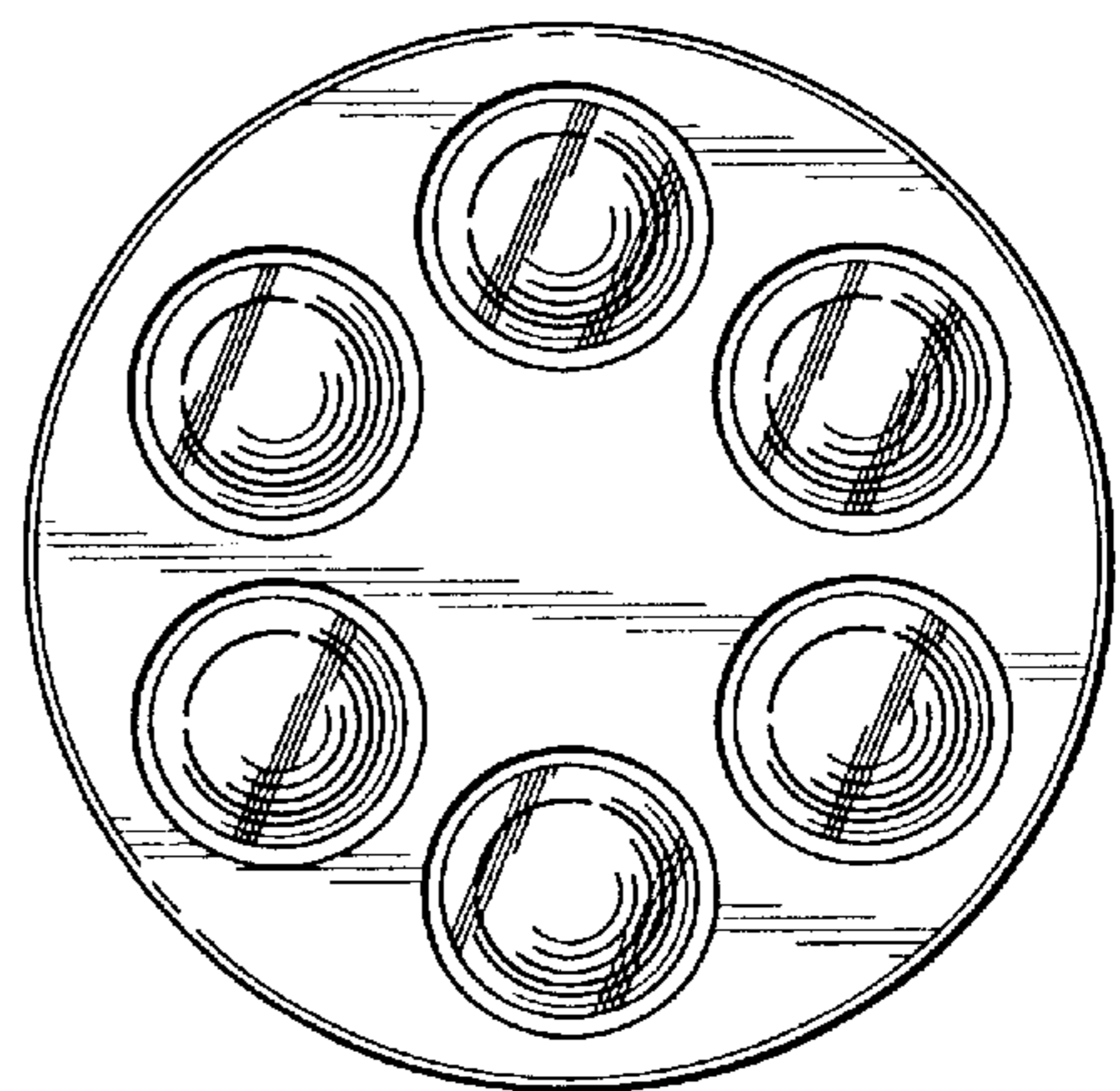


FIG. 7.

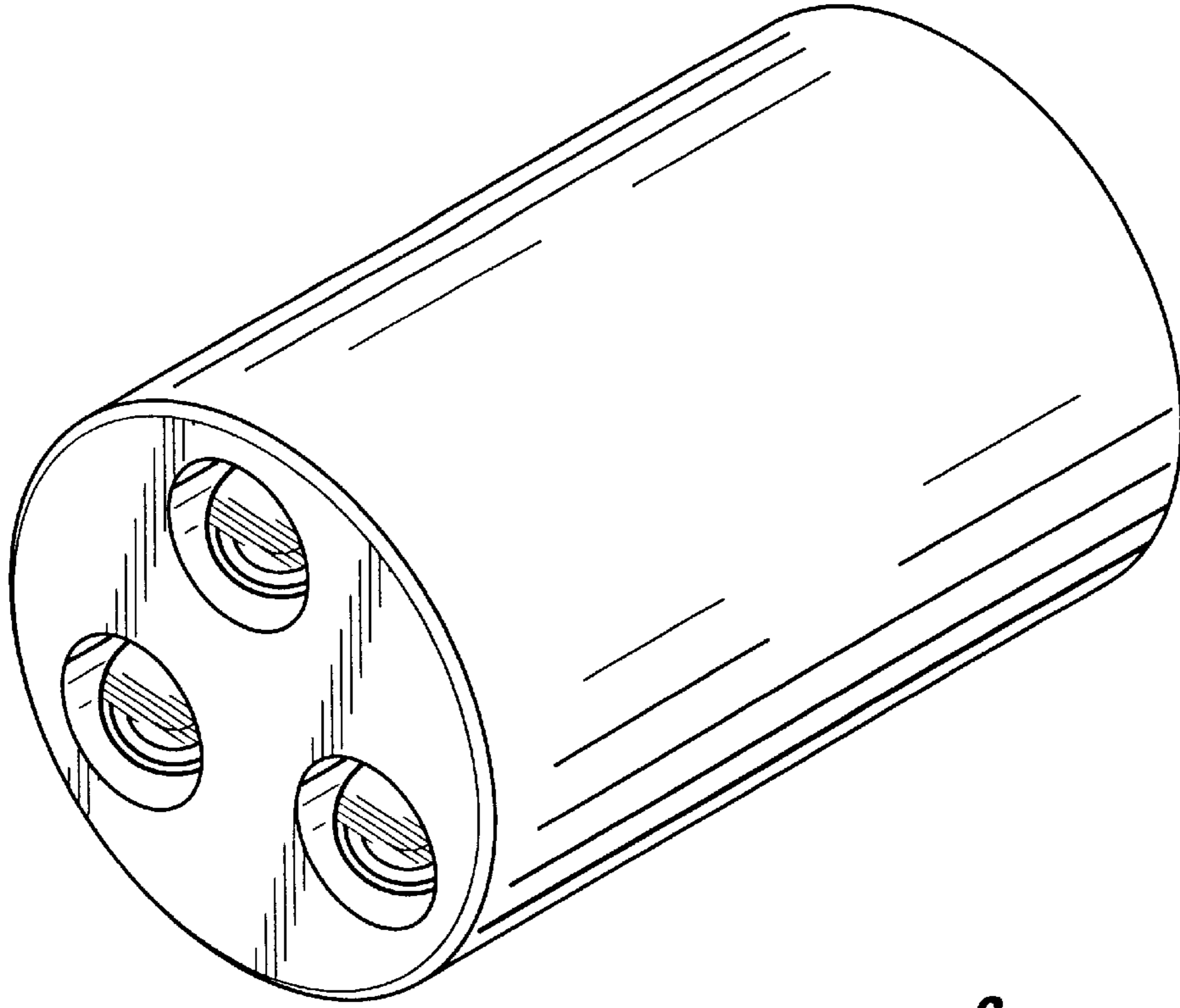


FIG. 8.

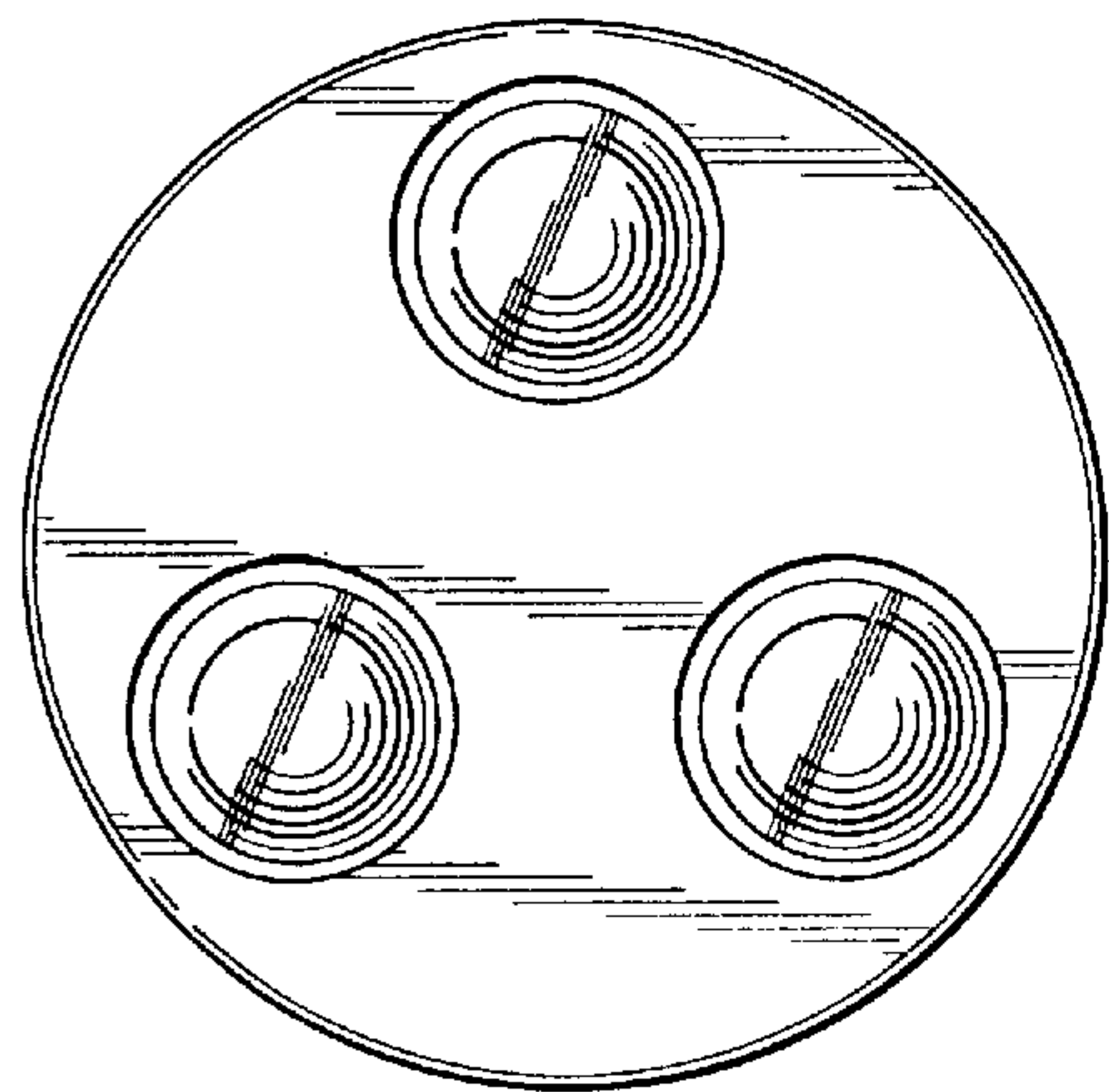


FIG. 9.

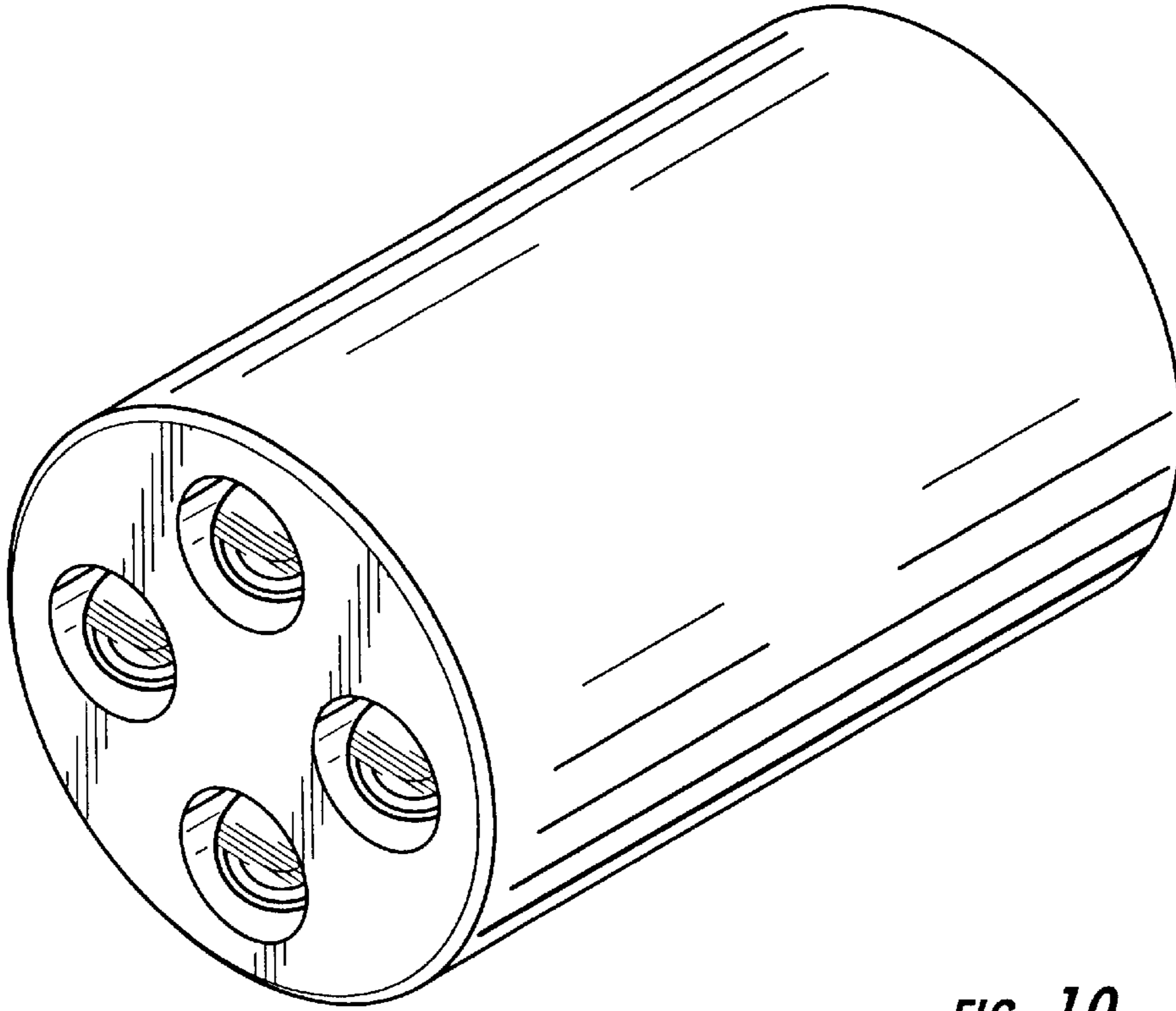


FIG. 10.

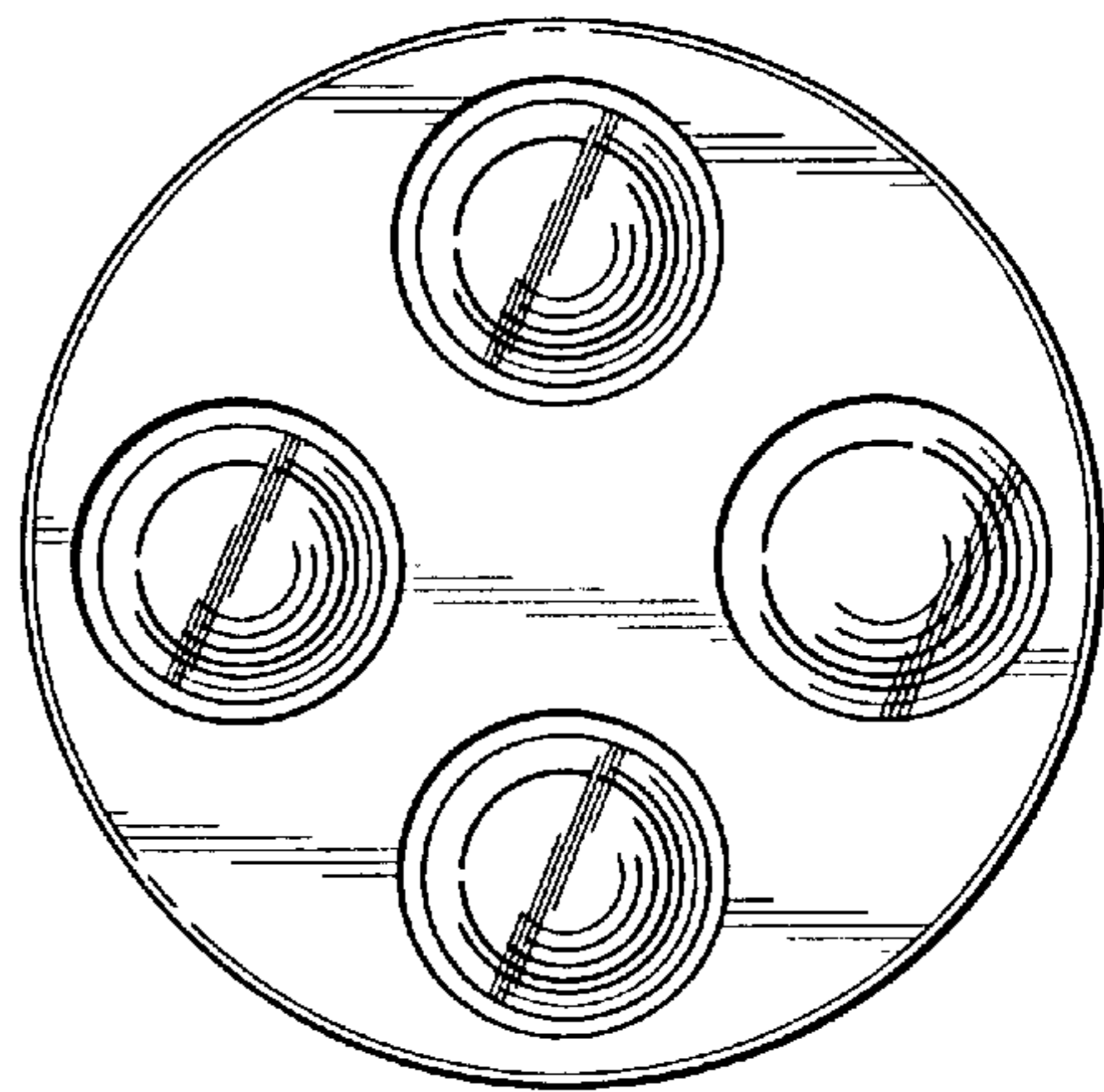


FIG. 11.

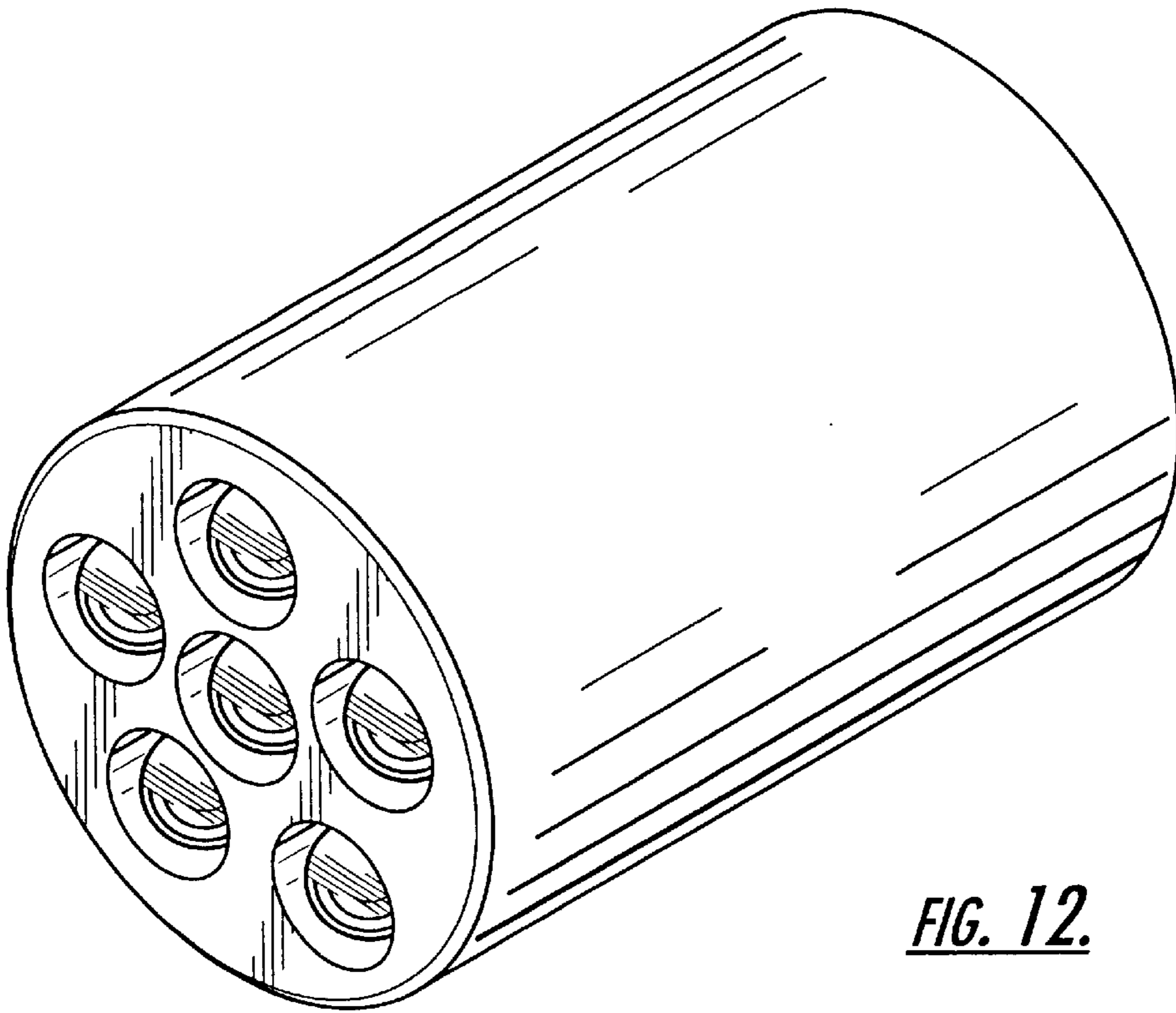


FIG. 12.

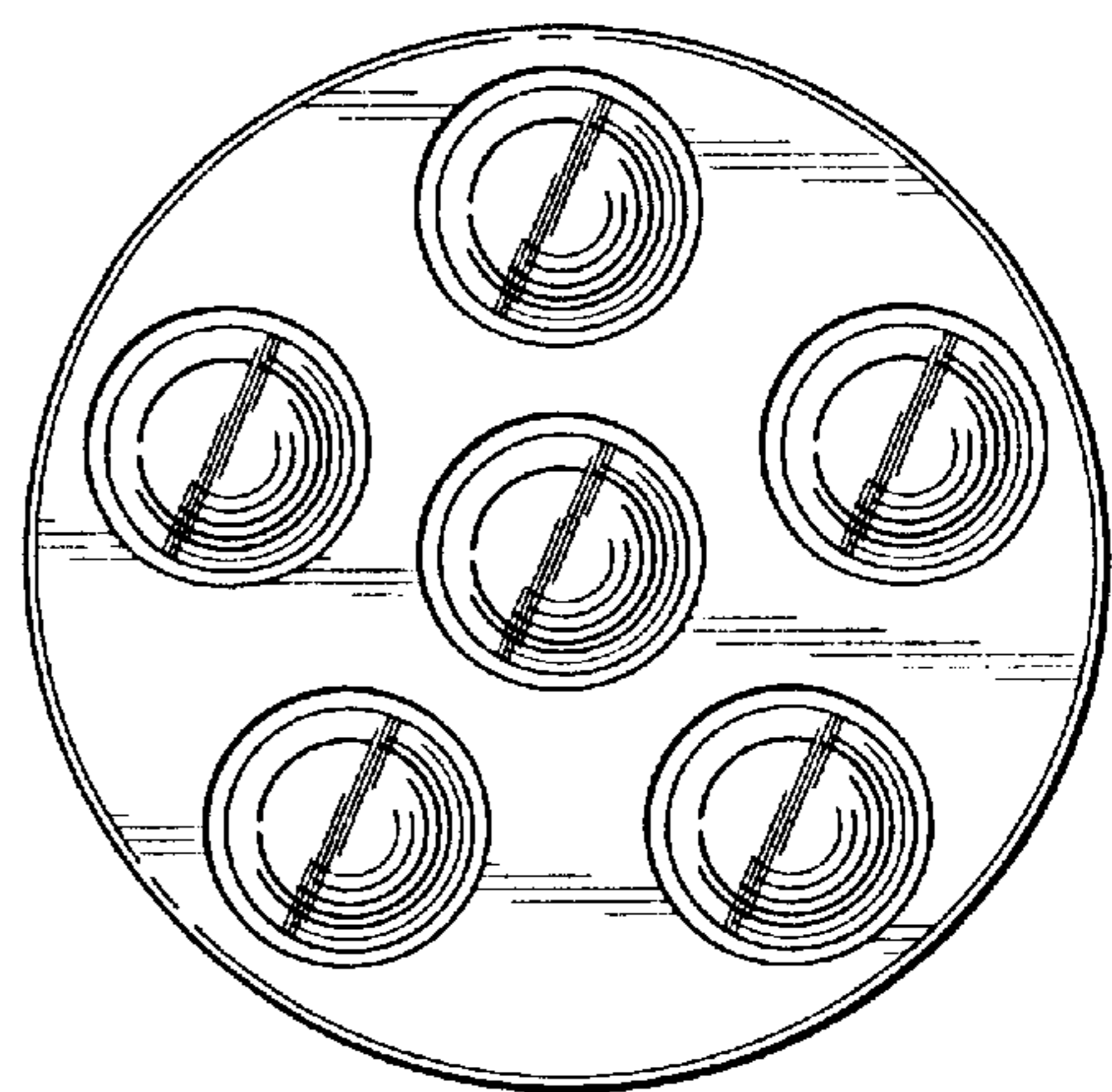


FIG. 13.