

(72) RAJALA, GREGORY JOHN, US

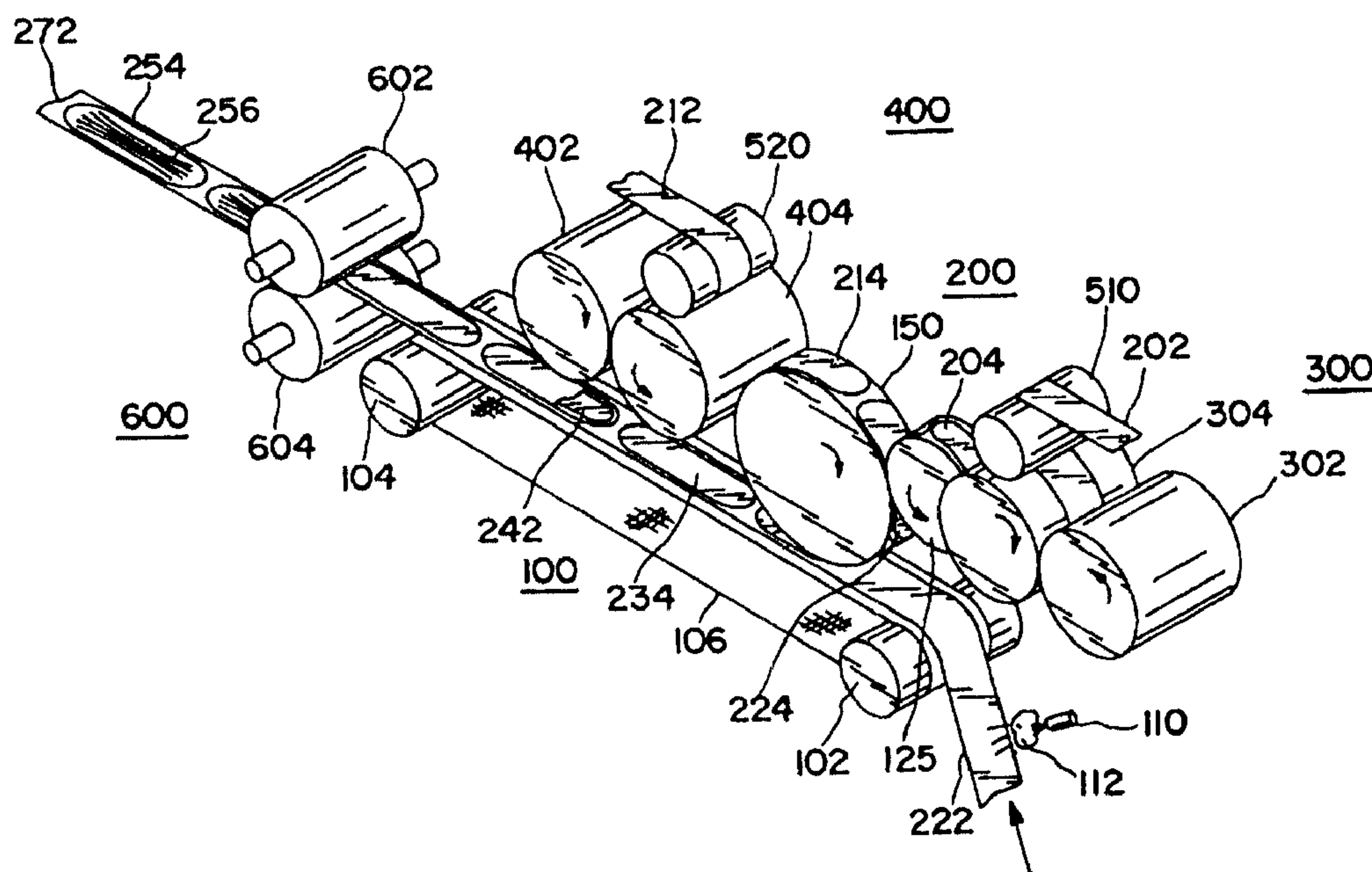
(71) KIMBERLY-CLARK WORLDWIDE, INC., US

(51) Int.Cl.⁶ B65H 9/00, A61F 13/15, B65G 47/04, B32B 31/00,
F16H 35/02, B65H 35/00

(30) 1998/06/01 (09/088,354) US

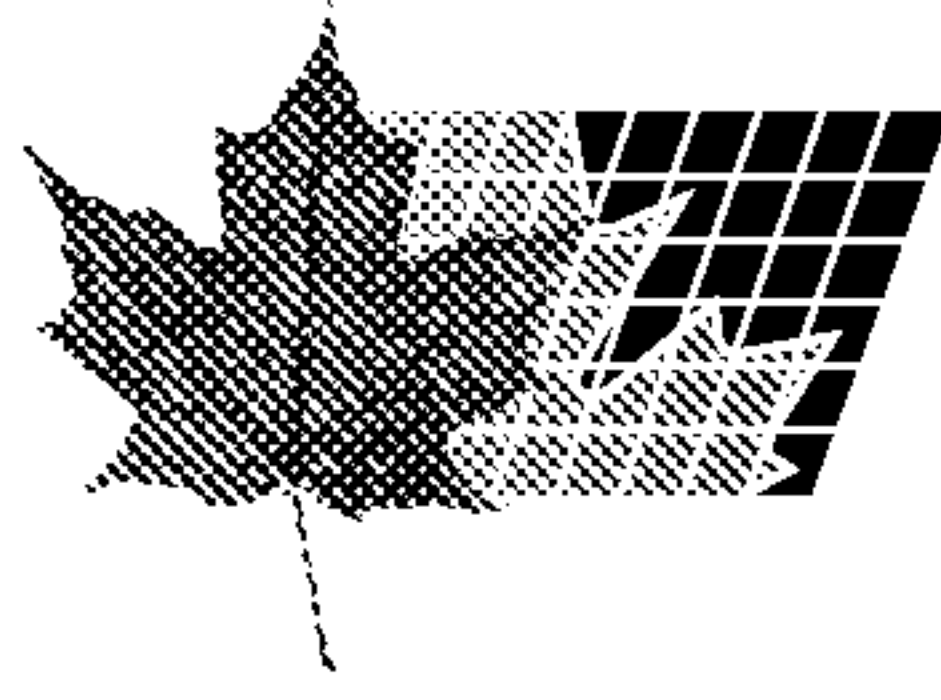
(54) **COUPE DE COMPOSANTS DISCRETS D'UNE PIECE
MULTICOMPOSANT, PRESENTATION EXACTE DE CES
COMPOSANTS SUR UNE BANDE CIRCULANTE DE
MATERIAU, ET APPAREIL A CET EFFET**

(54) **PROCESS AND APPARATUS FOR CUTTING OF DISCRETE
COMPONENTS OF A MULTI-COMPONENT WORKPIECE
AND DEPOSITING THEM WITH REGISTRATION ON A
MOVING WEB OF MATERIAL**



(57) Cette invention est une machine et un procédé par lesquels il est possible, d'une part de découper dans des bandes de matériau les composants discrets d'une pièce, d'autre part de les présenter exactement les uns par rapport aux autres, et enfin de les déposer en présentation

(57) This invention pertains to a machine and process for cutting discrete workpiece components from webs of material, precisely registering them with respect to one another, and depositing them with precise registration onto a constantly moving web of material, the webs of



(21) (A1) **2,330,679**

(86) 1999/05/24

(87) 1999/12/09

exacte sur une bande de matériau en défilement constant. Ces bandes de matériau peuvent éventuellement défiler à des vitesses différentes d'une bande à l'autre. Pour une réalisation particulière, l'invention concerne un procédé de fabrication d'un article absorbant d'hygiène personnelle fait de plusieurs composants.

material optionally all moving at different speeds. In a particular embodiment of the invention, a process for manufacturing a multi-component absorbent personal hygiene article is described.



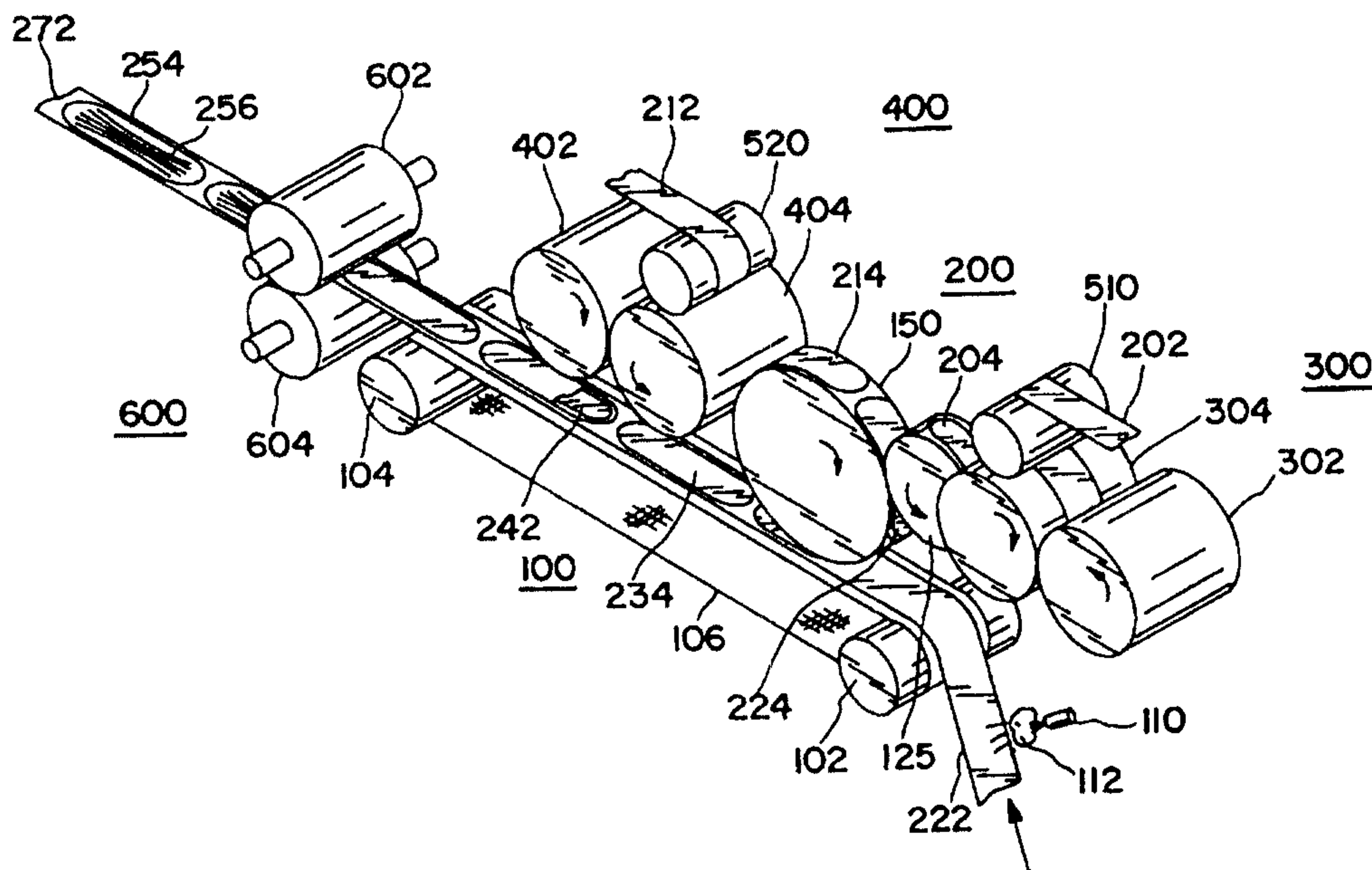
PCT

WORLD INTELLECTUAL PROPERTY ORGANIZATION
International Bureau

INTERNATIONAL APPLICATION PUBLISHED UNDER THE PATENT COOPERATION TREATY (PCT)

<p>(51) International Patent Classification⁶ : B65H 9/00</p>	<p>A2</p>	<p>(11) International Publication Number: WO 99/62801 (43) International Publication Date: 9 December 1999 (09.12.99)</p>
<p>(21) International Application Number: PCT/US99/11437 (22) International Filing Date: 24 May 1999 (24.05.99) (30) Priority Data: 09/088,354 1 June 1998 (01.06.98) US (71) Applicant (for all designated States except US): KIMBERLY-CLARK WORLDWIDE, INC. [US/US]; 401 North Lake Street, Neenah, WI 54956 (US). (72) Inventor; and (75) Inventor/Applicant (for US only): RAJALA, Gregory, John [US/US]; 724 Kensington Road, Neenah, WI 54956 (US). (74) Agents: WILHELM, Thomas, D. et al.; Wilhelm Law Service, S.C., 3rd floor, 100 West Lawrence Street, Appleton, WI 54911 (US).</p>	<p>(81) Designated States: AE, AL, AM, AT, AU, AZ, BA, BB, BG, BR, BY, CA, CH, CN, CU, CZ, DE, DK, EE, ES, FI, GB, GD, GE, GH, GM, HR, HU, ID, IL, IN, IS, JP, KE, KG, KP, KR, KZ, LC, LK, LR, LS, LT, LU, LV, MD, MG, MK, MN, MW, MX, NO, NZ, PL, PT, RO, RU, SD, SE, SG, SI, SK, SL, TJ, TM, TR, TT, UA, UG, US, UZ, VN, YU, ZA, ZW, ARIPO patent (GH, GM, KE, LS, MW, SD, SL, SZ, UG, ZW), Eurasian patent (AM, AZ, BY, KG, KZ, MD, RU, TJ, TM), European patent (AT, BE, CH, CY, DE, DK, ES, FI, FR, GB, GR, IE, IT, LU, MC, NL, PT, SE), OAPI patent (BF, BJ, CF, CG, CI, CM, GA, GN, GW, ML, MR, NE, SN, TD, TG).</p> <p>Published Without international search report and to be republished upon receipt of that report.</p>	

(54) Title: PROCESS AND APPARATUS FOR CUTTING OF DISCRETE COMPONENTS OF A MULTI-COMPONENT WORKPIECE AND DEPOSITING THEM WITH REGISTRATION ON A MOVING WEB OF MATERIAL



(57) Abstract

This invention pertains to a machine and process for cutting discrete workpiece components from webs of material, precisely registering them with respect to one another, and depositing them with precise registration onto a constantly moving web of material, the webs of material optionally all moving at different speeds. In a particular embodiment of the invention, a process for manufacturing a multi-component absorbent personal hygiene article is described.

Process and Apparatus for Cutting of Discrete Components of a Multi-component Workpiece and Depositing Them with Registration on a Moving Web of Material

FIELD OF THE INVENTION

The present invention relates to a method and apparatus for receiving discrete parts of a workpiece traveling at different speeds relative to one another and applying the parts to a moving web of material. More particularly, the invention concerns a method and apparatus for receiving discrete parts from at least two webs of moving material moving at different speeds and depositing the discrete parts with controllable registration on a third continuously moving web of material.

BACKGROUND OF THE INVENTION

Articles such as infant diapers, adult continence diapers, feminine napkins and the like have been manufactured generally by processes where discrete parts or components of the article are deposited on a continuously moving product web. Often, the speed with which the parts or components are produced and fed into the process is not the same as the speed of advance of the product web itself. In such cases, the speed of production and/or deposition of the component parts on the moving web must be varied to match the speed of the product web to properly match the parts to the moving web without adversely affecting the process or finished article.

Several methods for changing the speed of a part or component of material for deposition on a continuously moving web are known in the art. One method employs rollers segmented into sections which are inwardly and outwardly moveable in a direction radial to their direction of rotation. As the roller rotates, the segments are driven by cam actuating or gearing means to move inwardly and outwardly changing the linear surface speed of the roller segments as the roller rotates through each revolution.

Another method utilizes festoons to reduce the speed of the moving web to which the parts or components are to be applied. The continuously moving web is temporarily slowed to the speed of the component parts to be deposited, with the excess portion of the continuously moving web gathering in festoons. While the continuously

moving web is slowed to match the speed of the component parts, the parts are transferred to the web and the speed of the web is then accelerated to gather the festoons prior to the next cycle.

Another method is the so-called "slip gap" method in which the parts or components are cut from a web of material moving at a slower speed than the product web. As the component parts are cut from the first web of material, they are held to either the anvil roller or the cutter roller by means of vacuum. As the pieces pass tangentially to the continuously moving product web which is moving at a different speed, the parts or components slip temporarily until they are vacuum transferred to the continuously moving product web.

These known methods of transferring component parts, moving at one speed, to a continuously moving web moving at a different speed, do not address the problem of insuring careful registration of the deposited component parts on the continuously moving web. The problem is exacerbated when the need exists for depositing two or more components, one on top of the other on the continuously moving web while insuring careful registration of one component to the other, or to the moving web.

SUMMARY

In one embodiment, the present invention provides a process for manufacturing a multi-component workpiece comprising at least two components cut from moving webs of material, registering the components with respect to one another, and depositing the registered components with on a web of moving material. The process comprises the steps of a) cutting the first discrete workpiece components from a web of first material moving at first web speed, b) cutting the second discrete workpiece components from a web of second material moving at a second web speed, c) mating the first and second discrete workpiece components and registering them with respect to one another, and d) depositing the mated first and second workpiece components with registration on a third web of material moving at a third constant speed.

In another embodiment, the invention provides a machine for cutting first and second discrete workpiece components, respectively, from first and second webs of material running at different constant web speeds, the first and second workpiece components being optionally of different lengths, registering them with respect to one another, and depositing them with registration on a third web of material moving at a third constant web speed.

The machine comprises a first apparatus for cutting discrete components from a web of material moving at a first web speed, and a second apparatus for cutting discrete components of a second material from a web of second material moving at a second web speed. Speed matching apparatus comprises a first speed matching roller for receiving first discrete workpiece components from the first cutting apparatus and a second speed matching roller for receiving second discrete workpiece components from the second cutting apparatus, and mating and registering the first and second workpiece components with respect to one another and depositing them with registration on the third web of material moving at a third constant speed.

Non-constant drive means drives the first and second speed matching rollers independently, each at a higher constant dwell speed and a lower constant dwell speed with appropriate periods of acceleration and deceleration between the higher and lower constant dwell speeds. One of the higher or lower constant dwell speeds of the

first speed matching roller matches the constant speed of the third web material, and the other of the higher or lower constant dwell speeds of the first speed matching roller matches the constant web speed of the first web material. One of the higher or lower constant dwell speeds of the second speed matching roller matches the constant speed of the first web material, and the other of the higher or lower constant dwell speeds of the second speed matching roller matches the constant web speed of the second web material.

In another embodiment, the present invention provides a method of manufacturing a multi-component absorbent personal hygiene article comprising a distribution or wicking component layer, a fluid transfer delay component layer, and an absorbent layer, deposited on a backing layer, the distribution, fluid retaining and absorbent layers being of different length and positionally registered with respect to one another on the backing layer.

BRIEF DESCRIPTION OF THE DRAWING FIGURES

FIGURE 1 shows, in a perspective view, a schematic representation of a machine in accordance with one embodiment of the invention.

FIGURE 2 shows a die cut and anvil roller assembly for cutting a web of material by the "butterfly cut" method.

FIGURE 3 shows a die cut and anvil roller assembly for cutting a web of material by the "ladder cut" method.

FIGURE 4 shows a schematic partial side view of the machine depicted in Figure 1.

FIGURE 5 shows an enlarged portion of the side view of the machine of Figure 4.

FIGURE 6 shows a generalized speed profile diagram for non-linear drive gears for one embodiment of a machine of the invention.

FIGURE 7 is a generalized view of non-circular gears.

FIGURE 8 is a schematic representation of the drive train for a machine of the invention.

FIGURE 9 shows a cross-sectional views of a side commutator vacuum system.

FIGURE 10 shows a cross sectional view of the commutator of Figure 9 taken along cut line AA.

FIGURE 11 shows a cross-sectional view of a center commutator vacuum system.

FIGURE 12 shows a cross sectional view of the commutator of Figure 11 taken along cut line BB.

5 FIGURE 13 shows a speed profile of the speed matching rollers of the machine of Figure 1.

FIGURE 14 shows in plan view the elements of an ultra-thin feminine napkin manufactured by the machine and process of the present invention.

10 FIGURE 15 shows in side cut-away view the elements of the ultra-thin feminine napkin of Figure 14.

FIGURE 16 shows in side cut-away view the elements of a Amaxi-A feminine napkin.

15 The invention is not limited in its application to the details of construction or the arrangement of the components set forth in the following description or illustrated in the drawings. The invention is capable of other embodiments or of being practiced or carried out in other various ways. Also, it is to be understood that the terminology and phraseology employed herein is for purpose of description and
20 illustration and should not be regarded as limiting. Like reference numerals in the drawing figures are used to indicate like components.

DESCRIPTION OF THE ILLUSTRATED EMBODIMENTS

25 One embodiment of a machine in accordance with the present invention is represented in Figure 1 which shows schematically a machine for depositing two components of differing lengths, cut from webs of material moving at different speeds, carefully registering them with respect to one another, and depositing them on a web moving at constant velocity. Since the two components have different lengths, the web from
30 which each is cut and the apparatus for cutting each from that web, must move at different speeds. The machine of the invention provides for the mating and careful registration of the two components, as well as for the deposition of the mated components with careful registration on a web which is moving at a speed different from that of either of the two
35 webs from which the components were cut.

The machine comprises as its main components, a web transport apparatus 100, a first component die cutting apparatus 400, a second

component die cutting apparatus 300, component speed matching apparatus 200, and optional embossing apparatus 600. Rollers 102 and 104 of the web transport apparatus 100, 402 and 404 of the first component die cut apparatus 400, 302 and 304 of the second component die cut apparatus 300, and 602 and 604 of the optional embossing apparatus 600 are driven at constant speed equal to the machine line shaft speed, measured in terms of product per minute. Rollers 125 and 150 of the component speed matching apparatus 200 are driven at variable speed in the manner detailed below.

Referring to Figure 1, a web 202 of a second material is delivered under slight tension to roller 510. The material then passes between anvil roller 302 and die cut roller 304 to cut the web 202 of second material into component pieces 204 having the desired shape and dimensions.

Die cutter 300 may be configured to cut component pieces by either a "butterfly cut" method or a "ladder cut" method as shown in Figures 2 and 3, respectively. The ladder cut method is depicted in Figure 3, where an advancing web 806 of material passes between anvil roller 802 and die cut roller 804. The scrap "ladder" 810 of cut web is shown moving up and away from the die cut roller 804 and anvil roller 802. The cut component pieces 808 are shown moving along the process stream away from anvil roller 802 and die cut roller 804. The lengths of the cut component pieces 808 are indicated by the dimension L_c . The component repeat length, i.e. the distance between the leading edge of one cut component and the leading edge of the next following cut component, is indicated as L_{CR} and the product repeat length, i.e. the distance between the leading edge of one completed workpiece and the leading edge of the next following workpiece in the product stream, is indicated at L_{PR} which may or may not be the same as the component repeat lengths.

While shown as pieces having parallel sides and semi-circular ends, the component pieces 808, cut by the ladder cut method, may be of any desired shape. Since the web 806 of material is of a width greater than the width of the cut component pieces 808, there is a region of scrap in the ladder 810 along the sides of each component piece. Likewise, a scrap region of length $L_{CR} - L_c$ exists between successive component pieces. As a result, the component pieces 808 may be cut in any desired shape by the ladder cut method, as for example circular,

elliptical, "dog-bone" shape, serrated, etc. While possessing the advantage of permitting the component pieces to be cut in any desired shape, the ladder cut method suffers, however, from the disadvantage of having more scrap than the butterfly cut method, which is depicted in Figure 2.

In Figure 2, an advancing web **706** of material is shown as passing between anvil roller **702** and die cut roller **704** to produce the component pieces **708** cut by the butterfly method. The scrap pieces **710** are smaller than those derived from the ladder cut method. The component length, component repeat length, and product repeat length, are indicated as L_c , L_{CR} , and L_{PR} , respectively, as in Figure 3.

Since, in the butterfly cut method, the web of material **706** is the same width as the final cut component pieces **708**, there is less scrap but the cut pieces are constrained to have the parallel sides of the web **706**. However, alternatively, the advancing web of material to be cut by the butterfly cut method may be previously cut so that the sides of the web have a repeating pattern of any desired shape. It is a simple matter to match the cutting frequency in the die cut roller to frequency of repetition of side-cut pattern in the web to produce component pieces cut by the butterfly cut method, but having shaped side edges. This alternative adds, however, to the cost and complexity of the process and the option of cutting component pieces from a web having parallel sides is preferred.

The butterfly cut method is also preferred in those instances where the web of material to be cut into component pieces is costly, and the amount of scrap generated by the cutting process is to be minimized.

Referring again to Figure 1, a web **212** of a first material is delivered under slight tension to roller **520**. The material then passes between anvil roller **402** and die cut roller **404** to cut the web **212** of first material into first discrete workpiece components **214** having the desired shape and dimensions. Again, as discussed above, the workpiece components **214** may be cut from web **212** by either the ladder cut or butterfly cut method, as desired.

The first discrete workpiece components **214**, traveling under essentially no tension, are held to the surface of die cut roller **404** by vacuum means discussed further below. Similarly, the discrete second

workpiece components **204**, traveling under essentially no tension, are held to the surface of die cut roller **304** by vacuum means.

Discrete first workpiece components **214** travel with die cut roller **404** until they enter the gap **X** between die cut roller **404** and speed matching roller **150** as shown in Figure 4. This gap **X** is at least equal to the uncompressed thickness of web **212** of the first material. As a component **214** enters gap **X**, vacuum is released on die cut roller **404** and applied to speed matching roller **150** causing the component pieces **214** to transfer from die cut roller **404** to speed matching roller **150**.

Similarly, discrete second workpiece components **204** travel with die cut roller **304** until they enter the gap **Y** between die cut roller **304** and speed matching roller **125**. This gap **Y** is at least equal to the uncompressed thickness of web **202** of the second material. Vacuum is released on die cut roller **304** and applied to speed matching roller **125** causing the cut pieces **204** to transfer from die cut roller **304** to speed matching roller **125**.

As discrete first and second component pieces **214** and **204**, move respectively with contra-rotating speed matching rollers **125** and **150** and enter gap **Z** between the first **150** and second **125** speed matching rollers, they are mated. The gap **Z** is at least equal to the combined uncompressed thicknesses of the web **212** of first material and the web **202** of second material. The vacuum holding second component piece **204** to speed matching roller **125** is released from speed matching roller **125**, and second component piece **204** is transferred to speed transfer roller **150** by a higher vacuum which is turned on in speed matching roller **150** to hold both the first **214** and second **204** workpiece components to the roller **150**. The first component **214**, now sandwiched between second component **204** and the surface of speed matching roller **150**, and component **214** are both held by vacuum to speed matching roller **150**.

By indexing the die cut rollers **304** or **404** with respect to one another, the first component piece **214** can be controllably registered with respect to the second component piece **204** so that the first piece is centered on the second, or, in such a manner that the leading end of the advancing first piece leads or trails the leading edge of the second piece by any desired amount. This indexing is achieved in a manner well understood in the mechanical arts such as interposing between the machine line shaft and the shaft driving either or both die cut roller **304** or **404** a phase shift differential of the type manufactured by

Fairchild Industrial Products Co., 1501 Fairchild Drive, Winston-Salem, NC, USA under the trade name "Specon7." This permits adjusting the phase angle between die cut rollers **304** and **404** to advance or delay the cutting of one of the components **204** or **214** with respect to the other.

5 Referring still to Figure 1, a web **222** of a third material is fed under light tension from a roll of material, not shown, to web transport apparatus **100** which comprises rollers **102** and **104** and endless belt **106** passing over the rollers. The web **222** is held by conventional vacuum means, not shown, to the surface of the endless belt **106** which moves in
10 the direction shown by the arrow.

As matched or mated first and second discrete component pieces, shown as **224** in Figures 1 and 4, continue to travel with speed matching roller **150**, they enter gap **W** (Figure 4) and meet the advancing web **222** and are transferred by releasing the vacuum which previously held the
15 mated pair **224** to speed matching roller **150**. The vacuum, applied to endless belt **106** causes the two pieces, still mated and registered in their positions relative to one another, to transfer to web **222**.
Optionally, an adhesive, **112**, applied to the web **222** by spray or slot coat applicator **110** serves to further bind the mated first and second
20 component pieces **224** to the advancing web **222**.

Optional further operations are applied to the workpieces as they advance through the machine, such as embossing overlying mated first and second components **224** with a pattern **256** by means of patterned embossing roller **602** and anvil roller **604**, and applying further components to the
25 workpiece in subsequent operations. It should be noted, however, that in the instance where a pattern **256** is to be embossed on web **222** and the overlying components **224**, close registration of the components and the embossed pattern must also be maintained. This is accomplished by the machine of the invention by the close registration of the components
30 making up **224** and the firm adherence of components **224** to the moving web **222**.

Die cut apparatuses **300** and **400**, embosser apparatus **600** rollers **510** and **520** are all driven from a common line shaft using conventional pulleys and gearboxes. The die cutting apparatuses **300** and **400** and
35 embossing apparatus **600** perform one function with each revolution of the line shaft, while the receiving web transport **100** and rollers **510** and **520** advance the various webs passing respectively over them one product

repeat length with each revolution of the line shaft. In contrast, the speed matching rollers **125** and **150** move at non-linear speeds during portions of each revolution in a manner which is described in detail below.

5 Having described the overall operation of the machine of the invention, the specifics of operation of the speed matching rollers **125** and **150** will now be described. Reference is made to Figure 4 which shows a side view of the machine elements of Figure 1. Identical reference numerals are used to denote the same elements in both Figures
10 1 and 4.

Roller **520**, anvil roller **402** and die cut roller **404** are driven at a constant surface speed equal to the constant speed of material **212** through the first component die cut apparatus **400**, that is, at a speed of L_{CRI} per repeat where L_{CRI} is the component repeat length of first
15 workpiece component **214**. (Workpiece speed expressed as repeat length per repeat is a convenient unit of workpiece speed since it is independent of the actual machine speed.) As the leading ends of each discrete component piece **214** approach the point of narrowest gap **X** between die cut roller **404** and speed matching roller **150**, speed matching
20 roller **150** decelerates to move with a surface speed equal to the surface speed of die cut roller **404**. Speed matching roller **150** remains at this speed for a fraction **f** of workpiece repeat for the discrete component piece **214**. This fraction of a repeat, **f**, is typically selected to provide sufficient time to turn off the vacuum holding first workpiece
25 component **214** to die cut roller **404** and to turn on the vacuum which holds component **214** to speed matching roller **150**. The length of the leading end of component **214** which advances during the period **f** is released from die cut roller **404** and transferred to speed matching
roller **150** by the vacuum now applied to speed matching roller **150**.

30 The length of time corresponding to **f** is chosen to be generally greater than one-tenth repeat. If the fraction of a repeat is too small, the time is too short to effectively turn the two vacuum controls off and on, and the fraction of the length of the workpiece component transferred to and held by the receiving roller is too short to insure
35 effective transfer. Preferably **f** is from about 0.2 to about 0.4 repeat, most preferably of a value of about 0.25 for reasons which will be elaborated upon below.

After the length of component **214** corresponding to the fraction of repeat **f** has been transferred to speed matching roller **150**, and the vacuum which formerly held the component **214** to die cut roller **404** has been turned off, the speed matching roller accelerates to match that of the web **222** to which the two components **204** and **214** are eventually transferred, i.e. a speed of L_{PR} per repeat where L_{PR} is the final product repeat length, and speed with which web **222** is moving.

Simultaneous with this course of events, a web of second material **202** passes over roller **510** and between anvil roller **302** and die cut roller **304** to cut the web **202** into discrete second workpiece components **204**. Roller **510**, anvil roller **302** and die cut roller **304** are driven at a constant surface speed equal to the constant speed of material **202** through the first component die cut apparatus **300**, i.e. at a speed of L_{CR2} per repeat where L_{CR2} is the component repeat length of component **204**. As the leading end of each discrete component piece **204** approaches the point of narrowest gap **Y** between die cut roller **304** and speed matching roller **125**, speed matching roller **125** decelerates to a surface speed equal to the surface speed of die cut roller **304**, i.e. L_{C2} per repeat. Speed matching roller **125** remains at this speed for a fraction **f** of a repeat for the discrete component piece **204** to permit the transfer of a leading fraction of the length of second workpiece component **204** from die cut roller **304** to the speed matching roller **125**. This is done in the manner described above, that is, by turning off the vacuum which holds component **204** to die cut roller **304** and turning on the vacuum which holds component **204** to speed matching roller **125**.

Speed matching roller **125** then accelerates to match the speed of speed match roller **150**, i.e. L_{CR1} per repeat. As the leading ends of both first **204** and second **214** components approach the narrowest gap **Z** between speed matching rollers **125** and **150**, the vacuum holding component **204** is turned off and a higher vacuum is applied to speed matching roller **150** and, as a consequence, component **204** is transferred to speed roller **150**, sandwiching component **214** between component **204** and the surface of speed matching roller **150**.

As the leading end of sandwiched components **204** and **214**, designated **224** in Figure 4, approach the point of narrowest gap **W** between speed matching roller **150** and endless belt **106** carrying web **222**, speed matching roller **150** accelerates to match the speed of endless belt **106** and product web **222**, i.e. a speed of L_{PR} per repeat. The vacuum

holding the sandwiched pair of components **224** to speed matching roller **150** is turned off and the continuous vacuum applied to endless belt **106** serves to transfer and hold the sandwiched or Astacked@ pair of components **224** to endless belt **106**. In addition, an adhesive **112**,
 5 optionally applied to web **222** by spray or slot coat application **110** also serves to hold the bottom element of the sandwiched pair **224** to the web **222**.

Having described generally the functioning of the speed matching rollers **125** and **150**, their operation is explained in greater detail by
 10 reference to Figure 5 which shows an enlarged segment of Figure 4.

In Figure 5, speed matching rollers **125**, **150**, and endless belt **106** are shown with the directions of motion of each indicated by half-headed arrows. Speed matching roller **125** is driven by non-linear drive means described in more detail below, to move at a faster speed which is equal
 15 to the first component workpiece **214** repeat length per repeat, i.e. L_{CR1} per repeat, and at a slower speed which is equal to the second component repeat length per repeat, i.e. L_{CR2} per repeat. The non-linear drive means appropriately accelerates and decelerates speed matching roller **125** between these second speed matching roller higher and lower speeds.

Similarly, speed matching roller **150** is driven by non-linear drive means to move at a first speed matching roller fast speed which is equal
 20 to the speed of the product web **222**, that is at a speed of the product repeat length per repeat, L_{PR} per repeat and at a slower speed which is equal to the higher speed of second speed matching roller **125**, i.e. L_{CR2} per repeat.
 25

In Figure 5, a first workpiece component **214** is shown entering the point of narrowest gap **Z** between speed roller **150** and speed roller **125** just as a second workpiece component **204** is likewise entering gap **Z**. The radial marking arrow **155** on speed matching roller **150** points to "S₁"
 30 indicating that, at this point in time, roller **150** is starting its dwell at the slower speed L_{CR1} per repeat. As mentioned above, speed matching roller **150** dwells at this constant lower speed for a period **f** until the roller has turned in the direction of the arrow to the point where radial marking arrow **155** now points to the dot between "S₁" and "F₁."
 35 As speed matching roller **150** continues to rotate, the non-linear drive means accelerates the first speed matching roller **150** until the radial arrow **155** points to the marker "F₁". As roller **150** continues to rotate

in the direction of the arrow, the non-linear drive means causes first speed matching roller to dwell at the higher speed, L_{PR} per repeat, for the duration of rotation between "F1" and the dot between "F1" and "S2." As roller **150** continues to rotate, the non-linear drive means
5 decelerates the roller until the radial arrow **155** points to S_2 . Thus as the machine runs, first speed matching roller **150** dwells at high speed L_{PR} per repeat, decelerates, dwells at low speed L_{CR2} per repeat, and accelerates, in a repetitive or cyclical manner.

10 In the same manner, second speed matching roller **125** undergoes cyclical or repetitive dwells at constant higher speed L_{CR1} per repeat, designated " F_a ," " F_b ," and " F_c " in Figure 5, and constant slower speed dwells of L_{CR2} per repeat, designated " S_a ," " S_b ," and " S_c ," with appropriate periods of acceleration and deceleration between.

15 Figure 5 shows speed matching rollers **125** and **150** in a position where radial arrow **155** on speed matching roller **150** points to the start of slower speed dwell S_1 for first speed matching roller **150**. Radial arrow **130** on second speed matching roller **125**, is pointing to the start of high speed dwell F_a for second speed matching roller **125**. As the rollers turn in the direction indicated by the half-headed arrows,
20 radial arrow **155** on speed matching roller **150** will point to the dot between "S1" and "F1" indicating the start of acceleration of speed matching roller **150**. During this period, speed matching roller **125** has turned so that radial arrow **130** now points to the dot between " F_a " and " S_a " indicating the start of deceleration of speed matching roller **125**.
25 At this point in time, a mismatch of speeds exists between speed matching rollers **125** and **150**. This mismatch of speeds is made possible by the fact rollers **150** and **125** are not in contact, but have a gap, **Z**, between them. This gap is chosen to be at least equal to the combined uncompressed thicknesses of the two stacked workpiece components **204** and
30 **214**. In other words, rollers **125** and **150** are not nip rollers, applying pressure to the components to draw them through gap **Z**. The movement of the workpiece components is controlled, instead, by their being held to a particular roller by vacuum methods described above and detailed more fully below.

35 Workpiece component **214** is being held to roller **150** by vacuum, while the leading end of workpiece component **204** is being transferred to roller **150** by the vacuum applied to roller **150**, the vacuum previously holding workpiece component **204** to roller **125** having been turned off.

In this manner, workpiece component **204** is literally pulled slideably off roller **125**, the trailing portion of the component **204** sliding across the surface of roller **125**. This action has the advantage that workpiece **204** cannot "bunch up" on roller **150** during the transfer of the component
5 from roller **125** to roller **150** which would be the consequence if the relative high and low speeds of the two rollers were reversed.

First speed matching roller **150** is shown in the embodiment illustrated in Figures 1, 4 and 5 as having a circumference equal to five times the length corresponding to the area under speed profile
10 curve for roller **150**. (A generalized speed profile curve is shown in Figure 6, and will be discussed further below.) Second speed matching roller **125** has a circumference equal to three times the area under the speed profile curve for roller **125**. The circumference of either roller can independently take on any integral multiple value, n , of the area
15 under its speed profile curve, although as a practical matter, not all values are feasible. Depending upon the length of the workpiece component, of course, speed matching rollers having a value of $n = 1$ may be of too small a diameter to easily accommodate the required vacuum elements internal to the roller. However, in those instances where the
20 workpiece repeat length is appreciable, rollers having a circumference corresponding to $n = 1$ may be feasible.

At the opposite extreme, rollers which have circumferences equal to a large integral multiple of the workpiece component become so large and massive that their continual acceleration and deceleration between
25 their slower and faster dwell speeds at high machine rates places strain on their non-linear drive systems.

A generalized speed profile curve is depicted in Figure 6. The discussion of the generalized speed profile curve shown in Figure 6 which follows will be to speed matching roller **150** or purposes of
30 illustration. The higher speed L_2 of Figure 6 is specifically L_{PR} per repeat for the final workpiece. The lower speed, designated L_1 in Figure 6, is L_{CR1} per repeat for workpiece component **214**. The sloping portions of the curve b_4 and b_5 represent, respectively, the deceleration and acceleration portions of the speed profile for roller
35 **150**. As indicated by the dotted line, the actual acceleration and deceleration portions of the speed curve are not linear, but the area under the curve is equal to that bounded by the heavier solid straight lines. The area under this curve, for speed matching roller **150** then

becomes simply the sum of the rectangular area bounded by the line L_1 and 1 repeat, plus the area under the trapezoidal region of the speed curve bounded by the speed curve and L_1 . If the slow and fast speed dwell times, b_3 and b_2 , respectively, and the acceleration and deceleration times b_5 and b_4 , respectively, are chosen to be all equal, that is all 0.25 repeats, the area under the speed curve becomes simply the average of L_2 and L_1 or, specifically for roller **150**, $(L_{PR} + L_{CR1})/2$. This is the distance swept by roller **150** in one product repeat cycle.

Given this distance, the circumference (and diameter) of roller **150** can be determined with a given choice for the value n , mentioned above. That is, speed matching roller **150** can be constructed with a circumference $n(L_{PR} + L_{CR1})/2$.

Similarly, in applying the generalized speed profile curve of Figure 6 to speed matching roller **125**, and using the analysis just presented for roller **150**, the circumference of speed matching roller **125** becomes simply $n(L_{CR1} + L_{CR2})/2$.

Having discussed in detail the functioning of the speed matching rollers, there follows a discussion of the nature of the non-linear drive system for speed matching rollers **125** and **150**.

The drives and linkages for one embodiment of a machine of the present invention are depicted in Figure 8. Corresponding components in Figures 1, 4, 5 and 8 are given the same reference numbers for clarity.

A variety of means can be used to drive speed matching rollers **125** and **150** in a non-linear manner, including electronically controlled servo-motors, cam-and-follower mechanisms, and non-circular gear systems. The drive system must be capable, however, of standing up to the demanding work cycle. Non-circular gear drives are preferred because of their ruggedness and long mean-time-between failure rates compared with servo-motor systems and cam-and-follower mechanisms.

The use of an independent non-circular gear drive for each speed matching rollers **125** and **150** in the embodiment of the machine illustrated in the drawing figures thus provides an inexpensive and adaptable method for driving the two speed matching rollers.

The non-circular gear drive for each speed matching roller comprises a pair of gears: a non-circular input (drive) gear and a non-circular output (driven) gear. In each case the input gear is driven by the machine line shaft at a constant rate. To provide the variable

angular velocities required by the speed matching rollers, the radius of the non-circular drive or input gear varies. Moreover, since the center-to-center distance between the non-circular gears remains constant, the radius of the non-circular driven or output gear changes to correspond to the changes in radius of the non-circular input or drive gear so that the two gears remain engaged or meshed during rotation.

The respective designs of the input or drive and output or driven non-circular gears are chosen to obtain the desired output function, for example, the speed profile for a typical speed matching roller as represented in Figure 6, discussed above.

Non-circular gears, such as those employed in the machine and process of the present invention, can be purchased from Cunningham Industries, Inc. located in Stamford, CT, USA. Alternatively, one of ordinary skill in the mechanical engineering art can fabricate the desired set of complementary non-circular gears, provided the analytical representation of the desired output function.

For example, the design of a set of non-circular gears, as representatively shown in Figure 7, is developed as follows. First the output function, including the required process speeds and dwells is laid out, as illustrated in Figure 6 to determine the proper radius of the orbital path taken by the speed matching rollers. Second, the coefficients which establish the transition or acceleration/deceleration portions of the non-circular gears is computed. Once the angles, ratios, and coefficients are known, the gear center-to-center distance is chosen which follows the required radii for the non-circular gears.

The radius, R, of the orbital path is determined by first calculating the total area under the output function curve illustrated in Figure 6:

$$\text{Area} = L_1 + 0.5(b_1 + b_2)(L_2 - L_1) \quad (\text{Eqn. 1})$$

$$R = \text{Area} / 2\pi \quad (\text{Eqn. 2})$$

where R = the radius of the orbital path (mm)
 Area = Area under the output function curve
 L₁ = The low speed of the speed matching

roller driven by the output gear (i.e. the mm/repeat for the component being transferred)

L_2 = The high speed of the speed matching roller driven by the output gear (i.e. the mm/repeat for the product)

b_1 = Total time (repeats) during the trapezoidal portion of the output function curve

b_2 = Total dwell time (repeats) at the high speed

b_3 = Total dwell time (repeats) at the low speed.

Once the radius of the orbital path is determined, the ratios and gear angles for the non-circular gears are determined as follows, where the input gear is shown as **920** and the output gear as **922** in Figure 7 :

$$q_{\text{SLOW}} \text{ for the input (drive) gear} = 2\pi b_3 \quad (\text{Eqn. 3})$$

$$q_{\text{FAST}} \text{ for the input (drive) gear} = 2\pi b_2 \quad (\text{Eqn. 4})$$

$$\theta_{\text{ACCELERATE}} \text{ for the input (drive) gear} = 2\pi(b_5 - b_2) \quad (\text{Eqn. 5})$$

$$\theta_{\text{DECELERATE}} \text{ for the input (drive) gear} = 2\pi - (q_{\text{SLOW}} + q_{\text{FAST}} + q_{\text{ACCELERATE}}) \quad (\text{Eqn. 6})$$

$$q_{\text{SLOW}} \text{ for the output (driven) gear} = (L_1 b_3)/R \quad (\text{Eqn. 7})$$

$$q_{\text{FAST}} \text{ for the output (driven) gear} = (L_2 b_2)/R \quad (\text{Eqn. 8})$$

$$\theta_{\text{ACCELERATE}} \text{ for the output (driven) gear} = [2b_5(L_1/2 + (L_2 - L_1)/4)]/R \quad \text{Eqn. 9}$$

$$\theta_{\text{DECELERATE}} \text{ for the output (drive) gear} = 2\pi - (q_{\text{SLOW}} + q_{\text{FAST}} + q_{\text{ACCELERATE}}) \quad (\text{Eqn. 10})$$

$$\begin{aligned} \text{Slow speed ratio} = Y_1 = & \\ & (q_{\text{SLOW}} \text{ for the output gear}) / (q_{\text{SLOW}} \text{ for the input gear}) = \\ & L_1 / 2\pi R \quad (\text{Eqn. 11}) \end{aligned}$$

$$\begin{aligned} \text{High speed ratio} = Y_2 = & \\ & (q_{\text{FAST}} \text{ for the output gear}) / (q_{\text{FAST}} \text{ for the input gear}) = \\ & L_2 / 2\pi R \quad (\text{Eqn. 12}) \end{aligned}$$

Once the proper gear ratios and gear angles have been determined, the coefficients which define the shape of the non-circular gears can be computed. The segments of the peripheries of the input (drive) and output (driven) gears defined by the gear angles q_{SLOW} and q_{FAST} in each case will define the arc of a circle to insure that the slow and fast dwell times will be of constant speed. However, the segments of the peripheries of the input and output gears for the transition regions defined by the gear angles $q_{ACCELERATE}$ and $q_{DECELERATE}$ must define non-circular arcs. Noncircular gears designed using a sinusoidal function to define the acceleration and deceleration transitions have been found in practice to give good results. The equation defining the shape of the transitional part of the noncircular gears is:

$$h_{ACCELERATION} = A - B \cos Cq \quad (\text{Eqn. 13})$$

where $h_{ACCELERATION}$ is the gear ratio as a function of angular position during the transition, and

$$A = (Y_1 + Y_2)/2 \quad (\text{Eqn. 14})$$

$$B = (Y_2 - Y_1)/2 \quad (\text{Eqn. 15})$$

$$C = 2p/q_{ACCELERATION} \text{ for the input gear} \quad (\text{Eqn. 16})$$

The actual pitch line radius, r , for each noncircular gear can be determined once a choice has been made for the center-to-center distance between the two gears. The gear radii are given by:

$$\rho_{DRIVEN GEAR} = D_{CENTER}/(1 + \rho_{ACCELERATE}) \quad (\text{Eqn. 17})$$

$$= D_{CENTER} - r_{DRIVEN GEAR} \quad (\text{Eqn. 18})$$

where $r_{DRIVEN GEAR}$ = the radius of the noncircular driven gear, $r_{DRIVE GEAR}$ = the radius of the non-circular drive gear, and D_{center} = the desired or chosen center-to-center gear distance D_{CC} in Figure 7.

By computing the gear ratios at intervals along the transition using Equation 13 above, a smooth curve defining the pitch line can be derived using Equations 17 and 18. The resulting smooth curve of the

pitch line is used to construct a gear blank which is then used to manufacture the noncircular gears.

Referring to Figure 8, the overall drive train for the illustrated embodiment of the machine of the present invention is illustrated schematically. Drive system 1000 drives first speed matching roller **150** and drive system 1100 drives second speed matching roller **125**. Drive system 1000 comprises non-circular drive gear **1002** and non-circular driven gear **1004**. Non-circular drive gear **1002** is turned at constant angular velocity of machine line shaft **1010**. The driven, or output non-circular gear **1004** drives a multiplying linkage made up of drive shaft **1012**, gear **1018**, gear **1022** and linking gear-belt **1026**. Gear **1022** drives speed matching roller **150** by means of shaft **1030**. As discussed above, the circumference of speed matching roller **150** may be any feasible integral multiple, n , of the area under the designed speed profile for speed matching roller **150**. This value for n then becomes the gear ratio for gears **1022** and **1018**. For example, if speed matching roller **150** completes five repeats per revolution, then $n = 5$, and the gear ratio of gear **1022** to **1018** is 5:1.

In a similar fashion, drive system 1100 comprises non-circular drive gear **1006** and non-circular driven gear **1008**. Non-circular drive gear **1006** is turned at the constant angular velocity of machine line shaft **1014**. The driven, or output non-circular gear **1008** drives a multiplying linkage made up of drive shaft **1016**, gear **1020**, gear **1024**, and linking gear-belt **1028**. Gear **1024** drives speed matching roller **125** by means of shaft **1032**. The gear ratio for gears **1024** and **1020** in the multiplying linkage is the value of n for speed matching roller **125**. As discussed above, n is any integral multiple of the area under the speed profile curve for speed matching roller **125**. As shown in the embodiment depicted in Figure 8, speed matching roller **125** is shown having a circumference equal to three repeats per revolution. Correspondingly, the gear ratio of gear **1024** to **1020** is 3:1.

Having discussed the design and construction of non-circular gear sets for driving the speed matching rollers, the vacuum mechanisms for holding workpiece components **204** and **214** to their respective anvil and die cut rollers and respective speed matching rollers will now be described.

Two conventional vacuum systems, well known in the art, may be used in the rollers of the machine of the invention, and are illustrated in Figures 9, 10, 11, and 12. Figure 9 shows an end-view cross-section of a so-called "side-commutator" vacuum system 1200. Figure 10 shows the vacuum system of Figure 9 in a cross-section taken along cut line AA.

Referring to Figure 10, the vacuum system comprises a stationary commutator **1202** and rotor **1204**. The rotor **1204** has a series of tubular holes **1208** drilled into it, parallel to the axis of rotation of the rotor **1204**. Holes **1206**, drilled radially in the rotor **1204** connect the axial tubes or holes **1208** to the outer surface of the rotor **1204**. Vacuum is introduced into the commutator through entry tube **1210** in the zone between the vacuum slugs **1212**.

Referring to Figure 9, vacuum slugs **1212** block the connection of the commutator **1202** to the axial tubes **1208** in the rotor **1204** during a fraction of each rotation of the rotor **1204**. Thus, vacuum is introduced into tubes **1208** of the rotor **1204** only during that portion of each rotation of the rotor **1204** designated by the arc **b** when no vacuum slug **1212** is interposed between the commutator **1202** and the rotor **1204**. The moveable vacuum slugs **1212** determine the ends of vacuum zone defined by the arc β . The lengths of the arcs **a** and **b** can be adjusted by appropriate placement of the vacuum slugs **1212**. The side-commutator system 1200 is well adapted for rollers in the machine of the invention where it is necessary only to turn on and turn off vacuum as, for example in the die cut rollers **304** and **404**.

Figure 11 shows an end-view cross section of a so-called "center commutator" vacuum system 1300. Figure 12 shows a cross-section of the system 1300 taken along the cut line BB.

Referring to Figure 12, the system 1300 comprises a stationary commutator made up of two sections **1302** and **1318**. The upper section in Figure 12 comprises a chamber **1308** and tube **1312** through which high vacuum is introduced into chamber **1308**. The lower section **1318** of the commutator in Figure 12 comprises a chamber **1310** into which low vacuum is introduced through tube **1314**.

Referring to Figure 11, baffles **1316** are shown which divide the commutator into three chambers: a chamber into which no vacuum is introduced, a chamber of low vacuum, and a chamber of high vacuum.

5 These chambers correspond to the arcs **a**, **b**, and **g**, respectively. Unlike the side-commutator system described above, in the center commutator system, vacuum is maintained in the low and high vacuum chambers at all times, while the radial holes **1306** in concentric rotor **1304** move past each chamber. In this way, no vacuum, low vacuum, or high vacuum is introduced to the outer surface of the rotor **1304** sequentially as the rotor **1304** turns through each revolution. The lengths of arcs **a**, **b**, and **g**, are determined, and can be changed by, movement of the baffles **1316**. The center-commutator system **1300**, with its capability of having zones of non vacuum, low vacuum, and high vacuum, is well adapted for rollers in the machine of the invention where it is necessary to turn on and turn off vacuum, and to have regions of high vacuum as, for example in the speed matching roller **150**.

15 While there has been shown and illustrated one embodiment of the machine of the invention for depositing and registering two workpiece components of differing length on one another and subsequently onto a constantly moving web of material, it will be readily seen by one of ordinary skill in the mechanical arts that the machine can be modified to introduce and register third, fourth, fifth, etc. workpiece components by simply introducing additional components of die cut and anvil rollers and speed matching roller assemblies either adjacent to speed matching roller **150** or into the machine downstream in the process from the corresponding elements shown. In this manner, the machine of the present invention provides an efficient and cost-effective device for manufacturing multi-component articles of manufacture where there is a need to "stack" up and register two or more workpiece components and subsequently deposit them with registration on a constantly moving web. The speed matching roller system of the invention, with its non-linear gear drive, provides a means for carrying out this operation with workpiece components of differing lengths.

25 30 The process for manufacturing an article of manufacture employing the machine of the invention will now be described by reference to drawing Figures 4 and 13.

35 Referring to Figure 4, in the process of the invention, a web of a first material **212** passes between a first die cut roller **404** and a first anvil roller **402** to cut the web of first material into discrete first workpiece components **214** having a component length of L_{c1} and a repeat length between the leading edge of one cut workpiece component and the

leading edge of the next successive workpiece component of L_{CR1} . The web of first material, the first die cut roller and the first anvil roller are moving at a constant surface speed of L_{CR1} per repeat. The discrete workpiece components cut from the web of first material are held to the surface of the first die cut roller by vacuum means while the scrap portions, not shown in Figure 4, of the web of first material move away from the surface of the first die cut roller.

A discrete first workpiece component **214** in the train of successive components cut from the first web is transferred to a first speed matching roller **150** which is spaced apart from the first die cut roller by a gap **X** of at least the uncompressed thickness of the first web of material.

As the cut discrete first workpiece component enters the gap **X** between the first die cut roller **404** and the first speed matching roller **150**, the first speed matching roller moves at a surface speed equal to L_{CR1} per repeat for a dwell period A_{11} , preferably about one-fourth workpiece repeat cycle as shown in the speed profiles of the first and second speed matching rollers in Figure 13. During this dwell period, a portion of the length of a first cut discrete workpiece component moves into the gap **X** separating the first die cut roller **404** and the first speed matching roller **150** and is transferred from the die cut roller **404** to the first speed matching roller **150**. The transfer is effected by turning off the vacuum means holding the first cut discrete workpiece component **214** to the first die cut roller **404** and turning on vacuum to hold the leading fractional portion of the first discrete workpiece component **214** to the first speed matching roller **150**.

Following the transfer of the leading portion of a first discrete workpiece component from the first die cut roller **404** to the first speed matching roller **150**, the surface speed of the first speed matching roller **150** is accelerated during a period (B_{11} in Figure 13), again preferably about one-fourth workpiece repeat cycle, to a higher surface speed equal to the speed of a third web of product material **222**, L_{PR} per repeat where L_{PR} is the distance between the leading edge of one product workpiece and the leading edge of the next following workpiece on the third product web of material.

As the first speed matching roller **150** is accelerated to its higher speed of L_{PR} per repeat, the trailing portion of the first

discrete workpiece component is pulled slideably off the slower moving surface of the first die cut roller **404**, to which it is being lightly held by vacuum.

5 After accelerating, the first speed matching roller **150** then dwells at this higher surface speed, L_{PR} per repeat, for a period of time, preferably about one-fourth workpiece repeat cycle (C_{11} in Figure 13). Since, in the embodiment shown, first speed matching roller **150** is of a circumference equal to a multiple number of product repeats, a previously cut and registered pair of first and second workpiece
10 components **224** is entering gap W between the first speed matching roller **150** and the moving third web of product material **222**. The registered first and second cut discrete workpiece components **224**, held to the surface of the first speed matching roller **150**, are transferred to the third web of moving product material **222** by turning off the vacuum
15 holding the first and second cut discrete workpiece components **224** to the first speed matching roller **150**. The action of the continuous vacuum holding the third web of product material to the surface over which it is passing, adheres the pair of components **224** to the moving web.

20 After the dwell period (C_{11} in Figure 13) at the higher linear surface speed of L_{PR} per repeat, the first speed matching roller **150** decelerates during a period of time (D_{11} in Figure 13), preferably about one-fourth workpiece repeat cycle, to a surface speed of L_{CR1} per repeat, and the cycle repeats.

As the first speed matching roller decelerates, the stacked, registered
25 first and second cut discrete workpiece components **224**, now resting on the moving third web of product material **222**, are pulled slideably off the first speed matching roller to which they are lightly held by vacuum.

30 While the steps described above are occurring with regard to the first discrete workpiece components, simultaneously a web of a second material **202** passes between a second die cut roller **304** and a second anvil roller **302** to cut the web of second material **202** into discrete second workpiece components **204** having a component length of L_{C2} , with a repeat length between the leading edge of one cut workpiece component
35 and the next successive workpiece component of L_{CR2} . The web of second material **202**, the second die cut roller **304** and the second anvil roller **302** are moving at a constant surface speed of L_{CR2} per repeat where L_{CR2}

is the distance between the leading edge of one of the second cut workpiece components and the leading edge of the next following second workpiece component as the components are being cut from the web of second material.

5 The discrete workpiece components **204** cut from the web of second material **202** are held to the surface of the second die cut roller **304** by vacuum means while the scrap portions of the web of second material move away from the surface of the second die cut roller.

10 The second die cut roller **304** and second speed matching roller **125** are spaced apart by a gap **Y** of at least the uncompressed thickness of the second web **202** of material. The second speed matching roller **125** moves at a slower linear surface speed equal to L_{CR2} per repeat for a dwell period (C_{12} in Figure 13), preferably about one-fourth workpiece repeat cycle, sufficient to advance a cut discrete workpiece component
15 **204** through the gap **Y** separating the second die cut roller **304** and the second speed matching roller **125**. A prior cut workpiece component in the train of successive components cut from the second web of material is simultaneously moving through the gap **Z** between the second speed matching roller **125** and the first speed matching roller **150**. The
20 transfer is effected by turning off the vacuum means holding the second cut discrete workpiece component to the second die cut roller and turning on the vacuum to hold the leading fractional portion of the second discrete workpiece component to the second speed matching roller.

Following the transfer of the leading fractional portion of second
25 discrete workpiece component from the second die cut roller **304** to the second speed matching roller **125**, the linear surface speed of the second speed matching roller is accelerated during a period (D_{12} in Figure 13), again preferably about one-fourth workpiece repeat cycle, to a higher linear surface speed equal to the slower speed of the first speed
30 matching roller, i.e. L_{CR1} per repeat. During this period of acceleration, the second discrete workpiece component is pulled slideably off the surface of the second die cut roller to which it is being lightly held by vacuum.

The second speed matching roller **125** then dwells at this higher
35 linear surface speed, L_{CR1} per repeat, for a period of time (A_{22} in Figure 13), preferably about one-fourth workpiece repeat cycle, sufficient to advance a portion of the length of a prior cut second discrete workpiece

component through the gap between the second speed matching roller **125** and the first speed matching roller **150**. The first and second speed matching rollers are separated by a gap **Z** at least equal to the combined uncompressed thickness of the webs of first and second materials **202** and **212**.

As a second cut discrete workpiece component **204**, held by vacuum to the second speed matching roller, enters the gap **Z** between the first and second speed matching rollers, it is transferred to the first speed matching roller **150** in such a manner to overlay a first cut discrete workpiece component **214** being held by vacuum to the first speed matching roller **150**.

As the leading edge of a cut discrete first workpiece component enters the gap **Z** between the first speed matching roller **150** and the second speed matching roller **125**, the leading edge of a second discrete workpiece component **214** also enters the gap **Z** between the first and second speed matching rollers. The desired offset, if any, between the advancing leading edges of the first and second discrete workpiece components is adjusted by differential means driving the first and/or second die cut rollers indicated as **405** and **305** in Figure 8.

Transfer of the second discrete workpiece component **204** from the second speed matching roller **125** to the first speed matching roller **150** is effected by turning off the vacuum holding the second workpiece component **204** to the second speed matching roller **125** and turning on high vacuum on the first speed matching roller **150** which serves to continue holding the first cut discrete workpiece component **214** to the first speed matching roller **150** while also holding the second discrete workpiece component **204**, overlying the first component **214**, to the first speed matching roller **150**.

After this dwell period (A_{2_2} in Figure 13) at its higher surface speed, the second speed matching roller **125** decelerates during a period of time (B_{2_2} in Figure 13), preferably about one-fourth workpiece repeat cycle, to the surface speed, L_{CR2} per repeat. As the second speed matching roller **125** decelerates, the trailing portion of the second discrete workpiece component **204** is pulled slideably off the second speed matching roller **125** to which it is being lightly held by vacuum.

A web **222** of a third material is transported on an endless belt **106** moving at a constant speed of L_{PR} per repeat and is held to the

endless belt by vacuum means. The endless belt **106** is separated from the first speed matching roller **150** by a gap **W** of at least the combined thickness of the uncompressed web of materials **202**, **212**, and **222**. As the leading edges of the stacked first and second workpiece components **224** move into the gap **W** between the first speed matching roller **150** and the endless belt **106**, the belt and the first speed matching roller are turning at the same surface speed of L_{PR} per repeat. The first speed matching roller **150** speed dwells at this higher constant speed of L_{PR} per repeat for a period, preferably about 1/4 workpiece repeat cycle, to move a portion of the lengths of the stacked workpiece components through the gap **W** separating the first speed matching roller and the endless belt. As the leading edges of the stacked workpiece components enter the gap **W**, the high vacuum holding the stacked components **214** to the first speed matching roller **150** is turned off. As the first speed matching roller **150** then decelerates to its slower speed of L_{CKI} per repeat, the faster moving endless belt **106**, holding the stacked components to the third web **222** of moving material by vacuum means, pulls the stacked components **224** slideably off the first speed matching roller **150** and onto the web **222** of moving material. The overlying stacked first and second workpiece components, now held by vacuum and optional adhesive **112** to web **222** of the third material move down the process stream to subsequent operations.

Having thus described the process for cutting and stacking with registration two discrete workpiece components of different lengths and depositing them on a constantly moving web, the following example illustrates the use of the process and machine of the invention for the manufacture of a multi-layer feminine hygiene napkin.

Example

A so-called ultrathin or "mini" napkin, suitable for use by a woman during days of light menstrual flow, is depicted schematically in plan view in Figure 14 and in schematic side-view in Figure 15. A thicker or so-called "maxi" napkin, suitable for use by a woman during days of higher menstrual flow, is depicted in schematic side view in Figure 16. In Figure 14, the elements of the napkin are shown in plan

view, built up from the lowest "barrier component" to the uppermost "cover" component of the napkin. The cover component of the napkin is the component of the napkin worn closest to the user's body during use, and the barrier component is worn furthest from the user's body.

5 The napkin **900** depicted in Figure 14 and described in this Example comprises a unique distribution feature which serves to disseminate, or distribute, body fluids prior to their reaching the absorbent component of the napkin in order to provide a more efficient napkin having longer service life prior to the need for its replacement
10 and resulting greater comfort to the user. The distribution feature includes distribution and delay components not found in prior art napkins. The specific materials used for the various components of the napkin are described in detail in co-pending application Serial No. (Attorney=s Docket No. 13303.10), the contents of which are
15 incorporated herein by reference.

 In this Example, specific lengths of the napkin and each component will be given to aid in understanding the invention. However, it is to be understood that the specific dimensions are cited merely for illustrative purposes and should not be read as limiting the
20 scope of the invention as it is defined by the appended claims.

 Referring to Figure 14, the napkin **900** has, when finally cut along dashed cut line **913**, a dog-bone shape and an overall length L_p equal to about 300 mm. With, for example, an allowance for in-process strain of 2 percent and a scrap of 0 mm between successive finished
25 napkins when they are cut along dashed line **913**, the product repeat length L_{PR} is 306 mm. The napkin **900** comprises an upper cover **222** which is permeable to body fluids. Cover **222** constitutes the moving web of material **222** mentioned in the general process discussion above.

 Directly under the cover **222** there is a distribution component
30 **204** of length, L_{C2} , about 254 mm and component repeat length, L_{CR2} , of about 260 mm fabricated of a material which serves as a wicking agent to aid in the more or less uniform distribution of body fluids to the absorbent component below.

 Directly under the distribution component **204** there is a transfer
35 delay component **214** of length, L_{C1} , about 268 mm and component repeat length, L_{CR1} , of about 275 mm which is somewhat less permeable to body fluids than the cover layer **222**. Transfer delay component **214** acts to

slightly retard the flow of body fluids to permit the distribution component 204 above to effectively carry out its wicking function prior to the passage of body fluids through to the absorbent component below.

Using the exemplary lengths of each component just recited and referring to Figure 1, the web 222 travels at a constant linear speed of 306 mm/repeat, which is the higher speed of first speed matching roller 150 in Figure 1 and in the general process described above.

The web of first material 212 of Figure 1, using the exemplary dimensions of this example, travels at a linear speed of 275 mm/repeat which is the surface speed of anvil and die cut rollers 402 and 404 and the slower speed of speed matching roller 150.

The web of second material 202, the anvil and die cut rollers 302 and 304 travel at a constant surface speed of 260 mm/repeat which is also the low constant dwell speed of speed matching roller 125.

These component dimensions and speed matching roller speeds are given in Tables 1 and 2, respectively.

Table 1
Component Lengths and Web Speeds

Component	Reference Numeral	Component Length (mm)	Component Repeat Length (mm)
Napkin	900	$L_p = 300$	$L_{PR} = 306$
Distribution component	204	$L_{C2} = 254$	$L_{CR2} = 260$
Transfer delay component	214	$L_{C1} = 268$	$L_{CR1} = 275$

Table 2
Speed Matching Roller Speeds

Speed Matching Roller	Constant Dwell Low Speed (mm/repeat)	Constant Dwell High Speed (mm/repeat)
125	260	275
150	275	306

Referring again to Figure 14, under the transfer delay component **214** there is the absorbent component **908**. The barrier component **912**, laying under the absorbent component **908**, is typically made of a polymeric material which is not permeable to body fluids and which serves to shield the user's undergarments from staining by body fluids.

In the napkin **900** depicted in Figure 14, the cover component is generally translucent and is typically made of a white material. To provide the consumer with visual cues that the napkin being purchased has the distribution feature mentioned above, the absorbent layer **908**, transfer delay component **214** and distribution component **204** are fabricated of materials of different colors. For example, the absorbent component **908** and distribution component **204** may be white, while the transfer delay component **214** may be light blue, pink, peach, or some other pleasing color. The various components, viewed through the preferably translucent cover component **222** thus form a pleasing pattern. The cross-hatched region of the transfer delay component **214** in Figure 14 appears as a uniform band of color through the translucent upper cover component **222**. To add to the visual cues, the finished napkin **900** may be further embossed with a visual cue pattern **256**.

It is highly desirable that the distribution component **204** and the transfer delay component **214** be carefully registered with respect to one another, and with the optional embossed visual cue **256**. If the distribution component **204** and transfer delay component **214** are mismatched, the colored band is seen as a non-uniform band and detracts from the overall aesthetic appearance of the finished product. Moreover, if the optional embossed visual cue pattern **256** is similarly mismatched with the band of color, the overall pleasing appearance of the product is diminished.

Referring to the specific components with exemplary dimensions given above, the details of the general process for making the feminine napkin of this invention become clear with reference to Figure 1.

A web of cover material **222** for the napkin **900** is fed to the machine of the invention at a constant speed of L_p per repeat or 306 mm/repeat. A web of first material **214** from which the transfer delay components **214** are cut is fed to the pair of die cut and anvil rollers **402** and **404** at a constant speed of L_{CR1} per repeat, or 275 mm/repeat. A

web **202** of second material is fed to anvil and die cut rollers **302** and **304** at a constant linear speed of L_{CR2} per repeat, or 260 mm/repeat to be cut into distribution components **204**.

5

The transfer delay **214** and distribution components **204** components are mated and registered by means of the speed transfer rollers **125** and **150** and transferred to the moving web of cover material **222**. Speed matching rollers **125** and **150** repeatedly undergo acceleration to their respective higher constant dwell speeds of 275 mm/repeat and 306 mm/repeat, and deceleration to their respective low dwell speeds of 260 mm/repeat and 275 mm/repeat in a cyclical pattern which is 180° out of phase. By "180° out of phase" is meant that, as shown in Figure 13, when speed matching roller **150** is moving at its highest dwell speed, roller **125** is moving at its lower dwell speed. Similarly speed matching roller **150** is moving at its lower dwell speed, roller **125** is moving at its higher dwell speed. In this manner, the components are controllably registered by mating them at a matched speed

10
15
20

A spray or slot coat application of adhesive **112** is optionally made to the moving web of cover material, preferably in a pin-stripe pattern, to aid in holding the components to the web of cover material after they leave the region of vacuum. The adhesive also serves to hold the stacked distribution **204** and transfer delay **214** components to the web **222** of cover material and constantly moving web **106**.

25

As shown in Figure 1, embossing and anvil rollers **602** and **604** apply an optional embossed visual cue pattern **256** to the partially finished napkin. Downstream operations in the process, not shown, apply the barrier component **912**, the light adhesive which serves to attach the napkin to a woman's undergarment, and the peel strip, all shown in Figures 15 and 16. In the "maxi" napkin shown in Figure 16, a downstream operation in the process, also not shown, inserts an additional absorbent or superabsorbent pleget component **918** into the napkin prior to the addition of the barrier component **912**, garment adhesive **914** and peel strip **916**.

30
35

While there have been shown and exemplified preferred embodiments of the machine and process of the present invention, it will be clear

to those skilled in the art that various departures may be made from the preferred embodiments of both the machine and process without departing from the scope of the invention as defined by the appended claims.

WHAT IS CLAIMED IS:

1. A process for manufacturing a multi-component workpiece comprising at least two components cut from moving webs of material, registering the components with respect to one another, and depositing the registered components on a web of moving material comprising the steps of:
 - a) cutting from a web of first material, moving at a first constant web speed, first discrete workpiece components having a first component length and a first component repeat cut length between the leading edge of one discrete workpiece component and the leading edge of the immediately following workpiece component;
 - b) cutting from a web of second material, moving at a second constant web speed, second discrete workpiece components having a second component length and a second component repeat cut length between the leading edge of one discrete workpiece component and the leading edge of the immediately following workpiece component;
 - c) transferring the first discrete workpiece component to a receiving surface moving, for a fraction of one

product workpiece repeat cycle, at a first constant dwell speed equal to the speed of said first moving web of material;

- d) transferring the second discrete workpiece component to a second receiving surface moving, for a fraction of one product workpiece repeat cycle, at a first constant dwell speed equal to the speed of said second moving web of material;
- e) adjusting the speed of said second receiving surface bearing said second discrete workpiece component to move, for a fraction of one product workpiece repeat cycle, at a second constant dwell speed matching that of the first constant dwell speed of said first receiving surface;
- f) transferring, with registration, the second discrete workpiece component from said second receiving surface to said first receiving surface during the fraction of the product workpiece repeat cycle that the constant dwell speeds of said first and second receiving surfaces are matched, to overlay said first

- discrete workpiece component with registration on said first receiving surface;
- g) adjusting the speed of said first receiving surface bearing said second discrete workpiece component overlaying said first discrete workpiece component to move at a second constant dwell speed, during a fraction of one product workpiece repeat cycle, to match that of a third moving web of material;
- h) transferring the mated and registered said first and second discrete workpiece components to said third moving web of material during a fraction of product workpiece repeat cycle that the constant dwell speeds of said first receiving surface and said third web of material are matched;
- i) readjusting the speed, during a fraction of one product workpiece repeat cycle and following transfer of the mated and registered first and second discrete workpiece components to said third web of material, to move at said first constant dwell speed; and
- j) readjusting the speed of said second receiving surface to move, during a fraction of one product workpiece repeat

cycle and following transfer of the second discrete workpiece component to said first receiving surface, at said first constant dwell speed.

2. The process according to Claim 1 wherein said fractions of one product workpiece repeat cycle during which said first and second receiving surfaces are moving at their respective first and second constant dwells speeds and during which the speeds of said first and second receiving surfaces are readjusted between their respective first and second constant dwell speeds comprise equal portions of one product workpiece repeat cycle.
3. The process according to Claim 2 wherein said equal portions of one product workpiece repeat cycle comprise one-fourth product workpiece repeat cycle.
4. A process according to Claim 1 wherein said length, L_{c2} , of said second discrete workpiece component is less than that of the length, L_{c1} , of said first discrete workpiece component and wherein said second discrete workpiece component overlays and is registered with respect to said first discrete workpiece component to leave a band of said first discrete workpiece component protruding around the periphery of said second discrete workpiece component.

5. A process according to Claim 1 wherein said third web of material comprises a semi-transparent material.
6. The process according to Claim 5 wherein said second discrete workpiece component overlays and is registered with respect to said first discrete workpiece component to leave a band of said first discrete workpiece component protruding around the periphery of said second discrete workpiece component and visible through said semi-transparent material comprising said web of third material.
7. The process according to Claim 1 wherein said first, second, and third webs of material are of independently selected colors.
8. The process according to Claim 6 wherein said second discrete workpiece component overlays and is symmetrically registered with respect to said first discrete workpiece component to leave a symmetrical band of color of said first discrete workpiece component protruding around the periphery of said second discrete workpiece component and visible through said semi-transparent material comprising said web of third material.
9. A method of manufacturing a multi-component absorbent personal hygiene article comprising a fluid permeable cover layer, a fluid distribution component layer contiguous to said cover layer, and

a fluid transfer delay component layer contiguous to said fluid distribution component layer, the layers being deposited on the cover layer, with the distribution, fluid retaining and absorbent component layers being of different length and positionally registered with respect to one another;

the method comprising the steps of:

- a) cutting a fluid transfer delay component from a first moving web of material;
- b) cutting a fluid distribution component from a second moving web of material;
- c) transferring the fluid transfer delay component to a first speed matching roller moving, for a portion of one revolution, at a first constant dwell speed equal to the speed of said first moving web of material;
- d) transferring the fluid distribution component to a second speed matching roller moving, for a portion of one revolution, at a first constant dwell speed equal to the speed of said second moving web of material;

- e) adjusting the speed of said second speed matching roller bearing said fluid distribution component to move, for a portion of one revolution, at a second constant dwell speed matching that of the first constant dwell speed of said first speed matching roller;
- f) transferring the fluid transfer delay component from said second speed matching roller to said first speed matching roller during a portion of the revolution that the constant dwell speeds of said first and second speed matching rollers are matched, to overlay said fluid distribution component with registration on said first speed matching roller;
- g) adjusting the speed of said first speed matching roller bearing said fluid transfer delay component overlaying said fluid distribution component to move at a second constant dwell speed, during a portion of one revolution, matching that of a third moving web of said cover layer material;
and
- h) transferring said fluid transfer delay component overlaying said fluid distribution component to said third moving web of cover material during a portion of the revolution that the constant dwell speeds of said first speed matching

roller and said third web of material are matched, to overlay, with registration, said cover material.

10. A method according to Claim 9 wherein said cover layer is fabricated of a semi-transparent material.
11. A method according to Claim 9 wherein said distribution component and fluid transfer delay component are fabricated of materials having independently selected colors.
12. A method according to Claim 9 wherein said distribution component is of dimensions less than those of said fluid transfer delay component and wherein said distribution component is registered with respect to said fluid transfer delay component in such a manner that a uniform band of said fluid transfer delay component protrudes around the periphery of said fluid distribution component.
13. A method according to Claim 12 wherein said cover layer is fabricated of a semi-transparent material and said distribution component and fluid transfer delay component, are fabricated materials having independently selected colors.
14. The method according to Claim 9 further comprising the step of embossing said cover layer with a pattern.

15. The method according to Claim 12 wherein said pattern of embossing is centered with respect to said fluid distribution and said fluid transfer delay components.

16. A method of manufacturing a multi-component absorbent personal hygiene article comprising a semi-transparent fluid permeable cover layer, a fluid distribution component layer contiguous to said cover layer, and a fluid transfer delay component layer contiguous to said fluid distribution component layer, the layers being deposited on the cover layer, with the distribution, fluid retaining and absorbent component layers being of different length and positionally registered with respect to one another;

the method comprising the steps of:
 - a) cutting a fluid transfer delay component from a first moving web of material having a first color;

 - b) cutting a fluid distribution component of dimensions less than those of said fluid transfer delay component from a second moving web of material having a second color;

 - c) transferring the fluid transfer delay component to a first speed matching roller moving, for a portion of one

- revolution, at a first constant dwell speed equal to the speed of said first moving web of material;
- d) transferring the fluid distribution component to a second speed matching roller moving, for a portion of one revolution, at a first constant dwell speed equal to the speed of said second moving web of material;
- e) adjusting the speed of said second speed matching roller bearing said fluid distribution component to move, for a portion of one revolution, at a second constant dwell speed matching that of the first constant dwell speed of said first speed matching roller;
- f) transferring the fluid transfer delay component from said second speed matching roller to said first speed matching roller during a portion of the revolution that the constant dwell speeds of said first and second speed matching rollers are matched, to overlay said fluid distribution component with registration on said first speed matching roller;
- g) adjusting the speed of said first speed matching roller bearing said registered fluid transfer delay component overlaying said fluid distribution component to move at a

second constant dwell speed, during a portion of one revolution, matching that of a third moving web of said cover layer material; and

- h) transferring said fluid transfer delay component overlaying said fluid distribution component to said third moving web of cover material during a portion of the revolution that the constant dwell speeds of said first speed matching roller and said third web of material are matched, to overlay, with registration, said cover material; whereby a band of said first color of said fluid transfer delay component is visible through said semi-transparent cover layer around the periphery of said fluid distribution layer.

17. A method according to Claim 16 wherein said fluid distribution component is registered with respect to said fluid transfer delay component to produce a symmetrical band of said first color of said fluid transfer delay component around the periphery of said fluid distribution component.
18. A machine for manufacturing a multi-component workpiece of at least two discrete components of different lengths cut from first and second moving webs of material, registering the discrete components with respect to one another, and depositing the

registered discrete components on a receiving web of moving material, the machine comprising:

- a) first cutting apparatus for cutting discrete first workpiece components from a first moving web of material comprising a first die cut roller and first anvil roller cooperating to cut from a first web discrete first workpiece components of length L_{C1} with a component repeat length L_{CR1} , measured from the leading edge of one discrete component to the leading edge of the next following discrete component, said first cutting apparatus further comprising vacuum means for holding said first cut discrete workpiece components to said first die cut roller for a fraction of one rotation of said die cut roller;
- b) second cutting apparatus for cutting discrete second workpiece components from a second moving web of material comprising a second die cut roller and second anvil roller cooperating to cut from a second web discrete second workpiece components of length L_{C2} with a component repeat length L_{CR2} , measured from the leading edge of one discrete component to the leading edge of the next following discrete component, said second cutting apparatus further comprising vacuum means for holding said second cut

discrete workpiece components to said second die cut roller for a fraction of one rotation of said die cut roller.;

- c) web transport apparatus for transporting a moving web of a third material; and
- d) component speed matching apparatus disposed adjacent the first and second cutting apparatuses and adjacent the receiving web transport apparatus for receiving first and second discrete workpiece components from respective first and second cutting apparatuses, mating and registering the first and second workpiece components with respect to one another and depositing the registered components with registration onto the moving third web of material.

19. A machine according to Claim 18 wherein the component speed matching apparatus comprises:

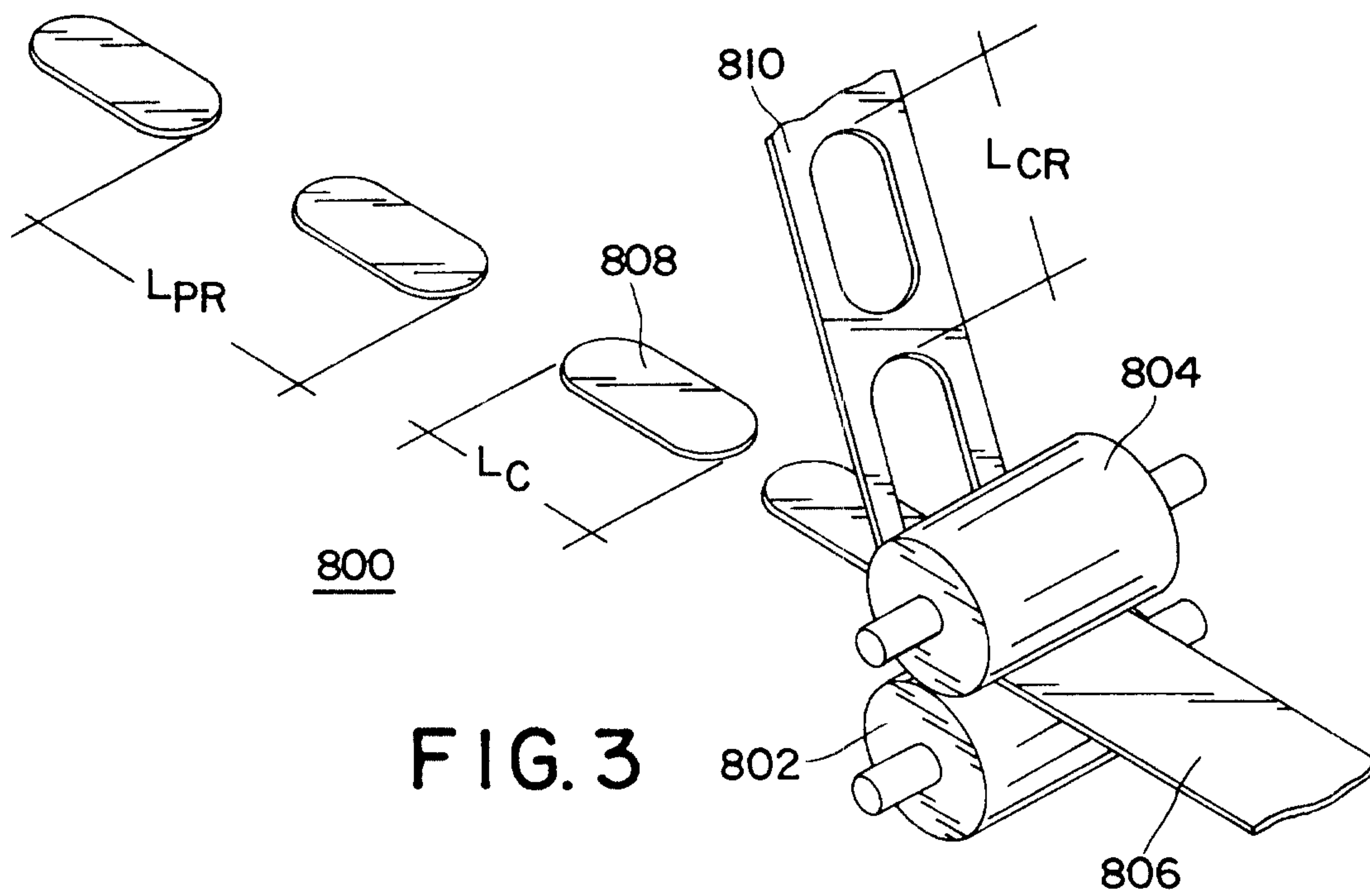
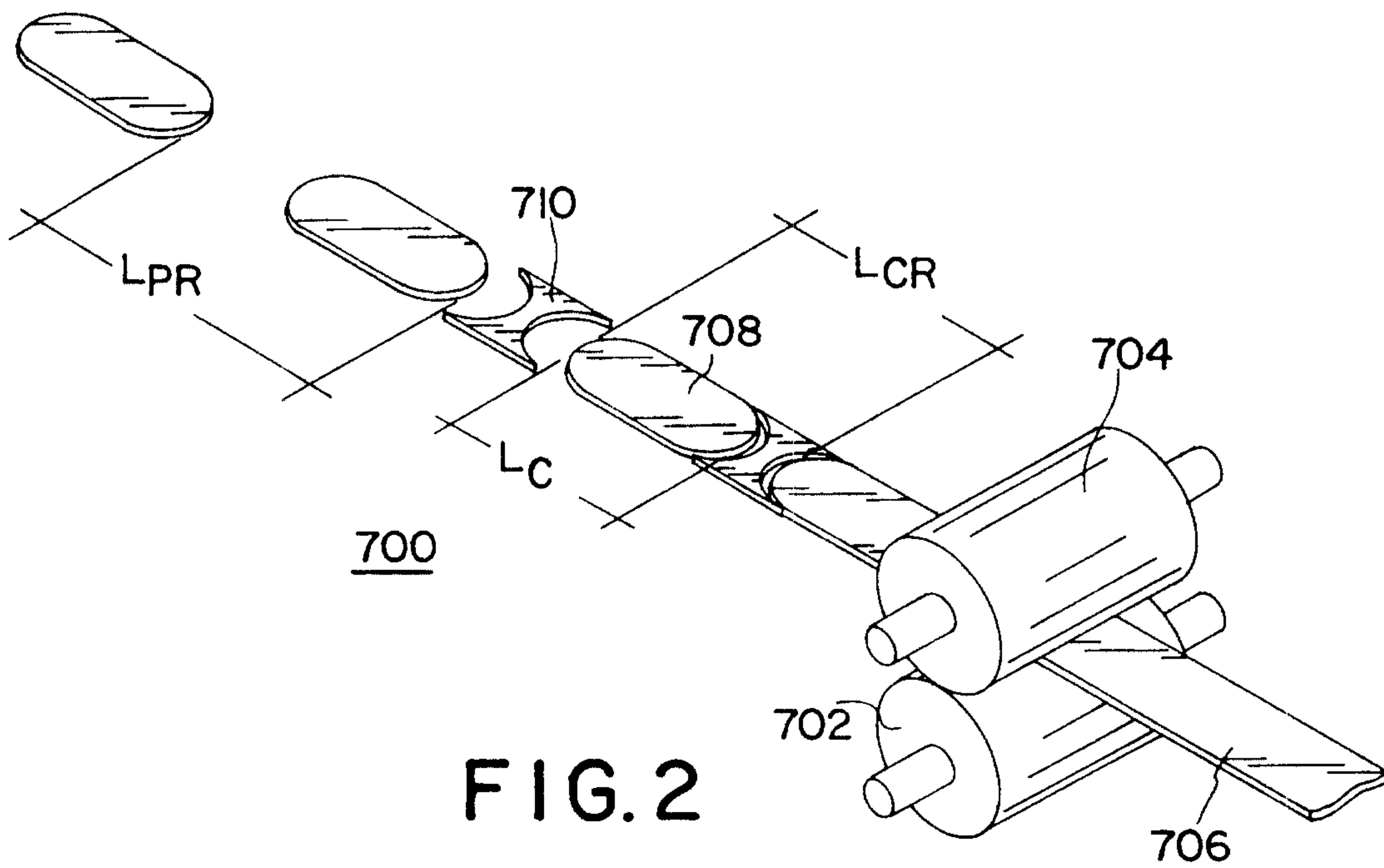
- a) first and second speed matching rollers;
- b) non-linear drive means for driving the first speed matching roller at a fast constant dwell speed for a fraction of each rotation and at a slow constant dwell speed for a fraction of each rotation;

- c) second non-linear drive means for driving the second speed matching roller at a fast constant dwell speed for a fraction of each rotation and at a slow constant speed for a fraction of each rotation;

said first speed matching roller having lower vacuum means for transferring said first discrete cut workpiece component from said first die cut roller and holding said first discrete cut workpiece component to the surface of said first speed matching roller for a fraction of one rotation of said speed matching roller, and higher vacuum means for transferring said second discrete cut workpiece component from said second speed matching roller to overlay said first discrete cut workpiece component hold said first and second discrete cut workpiece components to the surface of said first speed matching roller for a fraction of one rotation of said die cut roller;

said second speed matching roller having vacuum means for transferring said second discrete cut workpiece component from said second die cut roller and holding said second discrete cut workpiece component to the surface of said second speed matching roller for a fraction of one rotation of said speed matching roller.

20. A machine according to Claim 19 further comprising means for embossing a pattern on said workpiece.



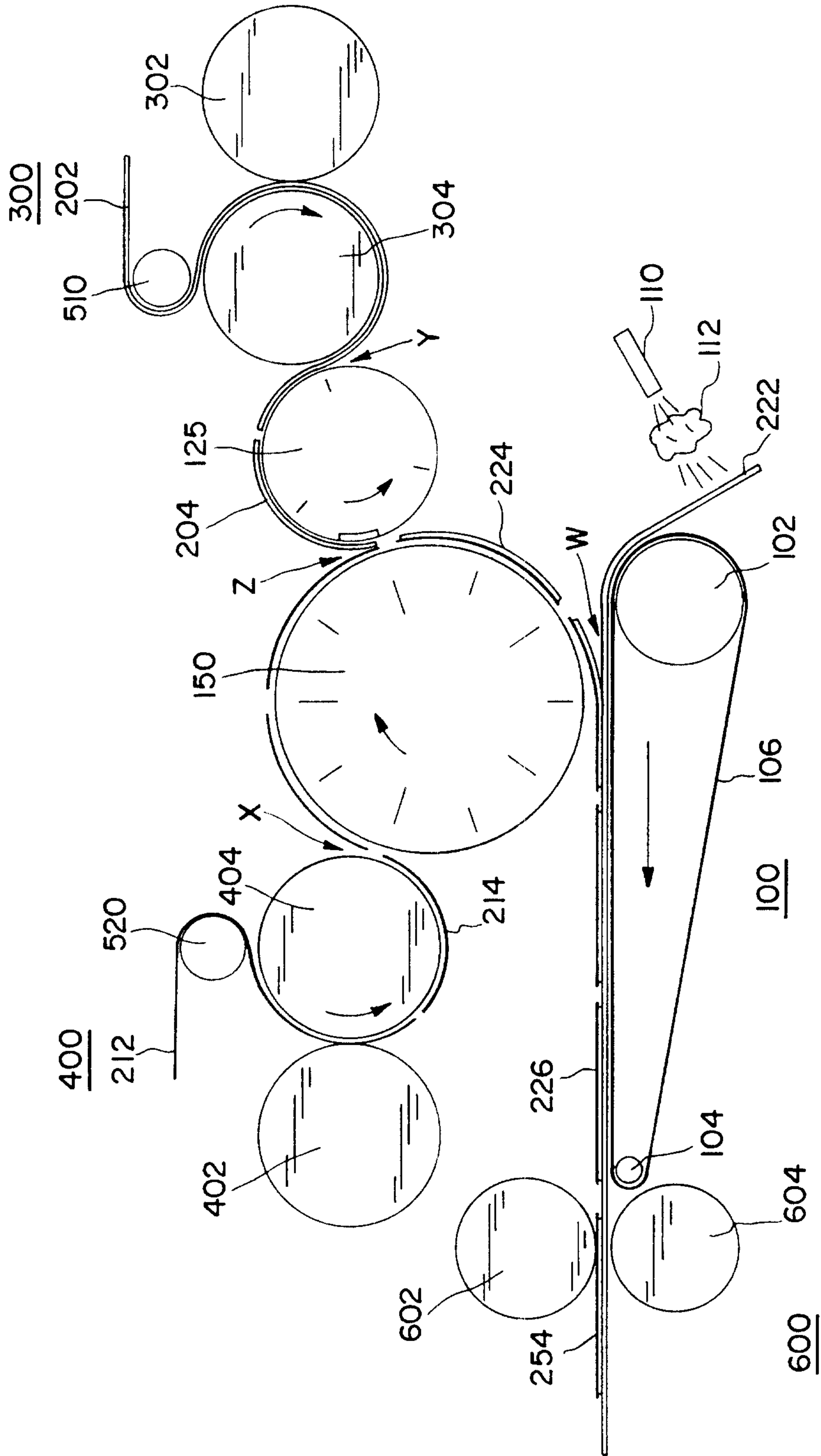


FIG. 4

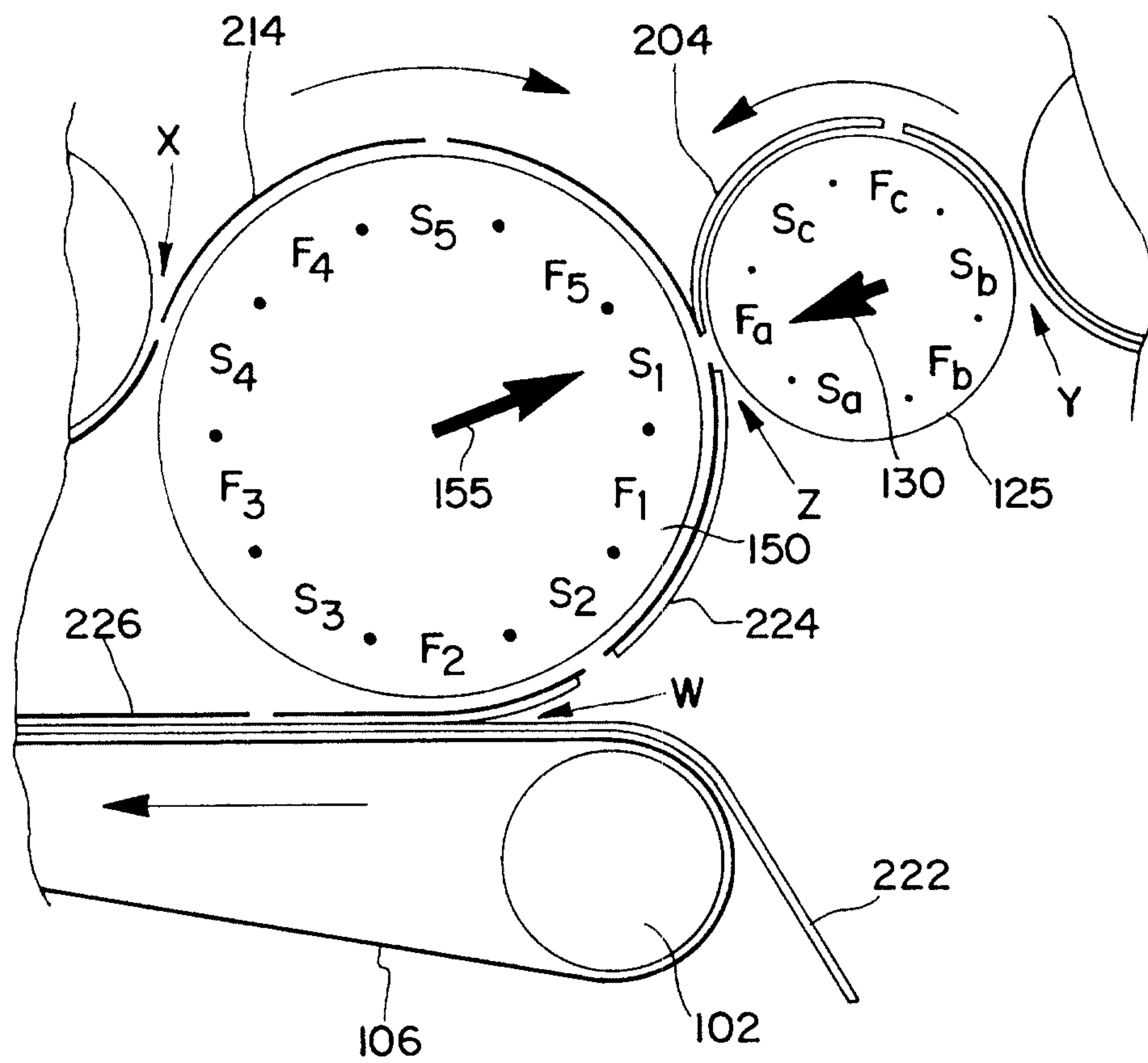


FIG. 5

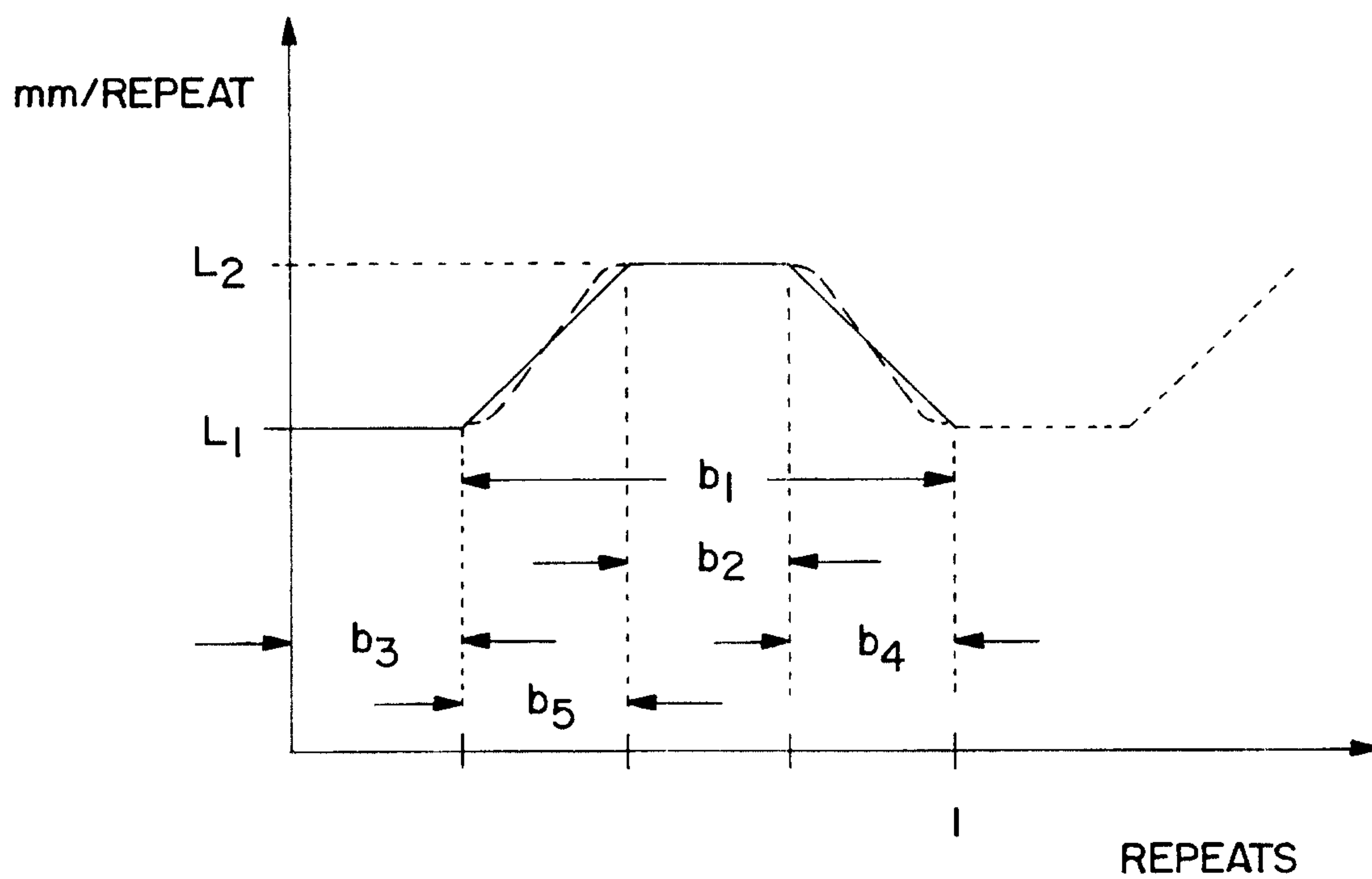


FIG. 6

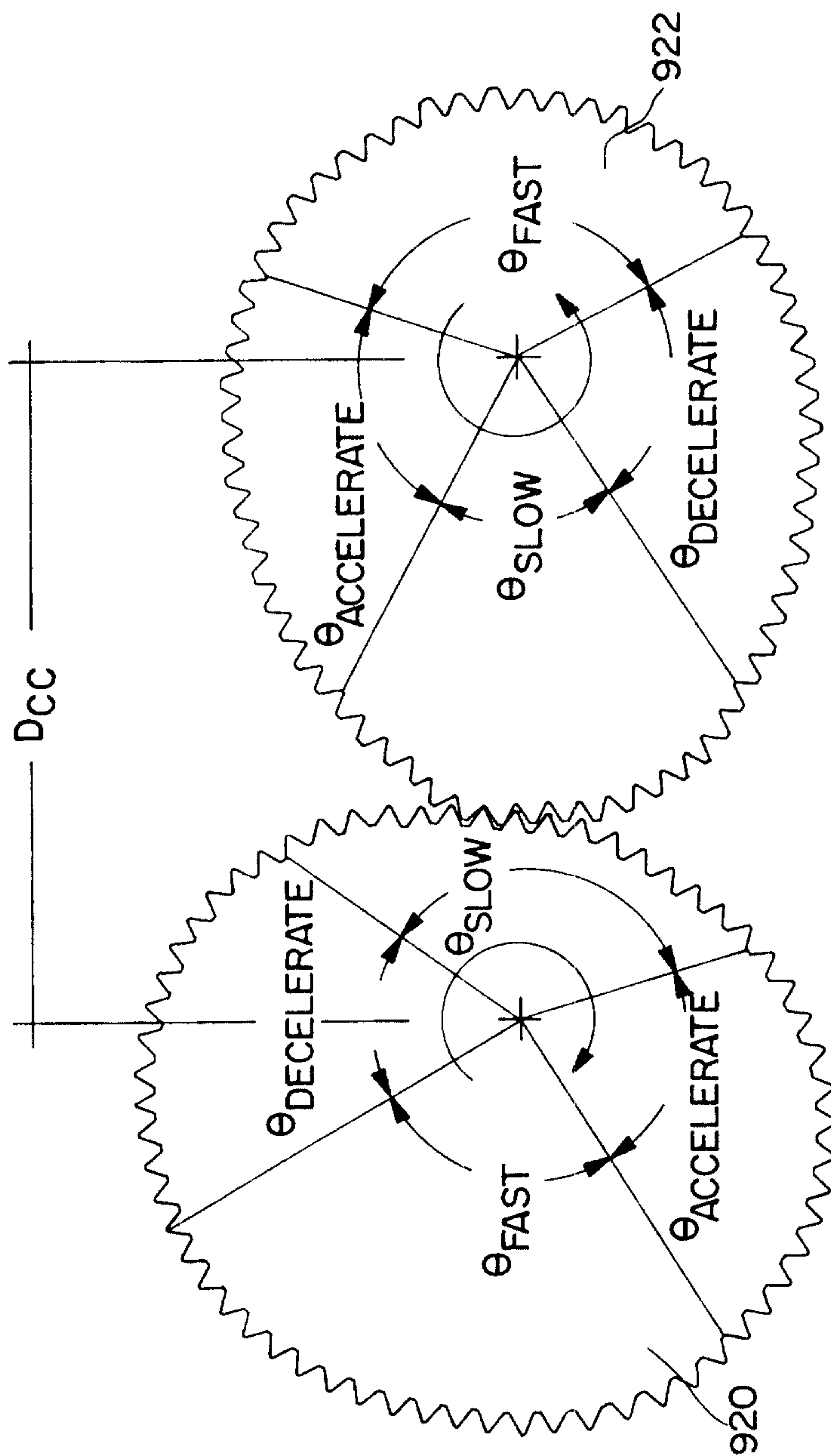


FIG. 7

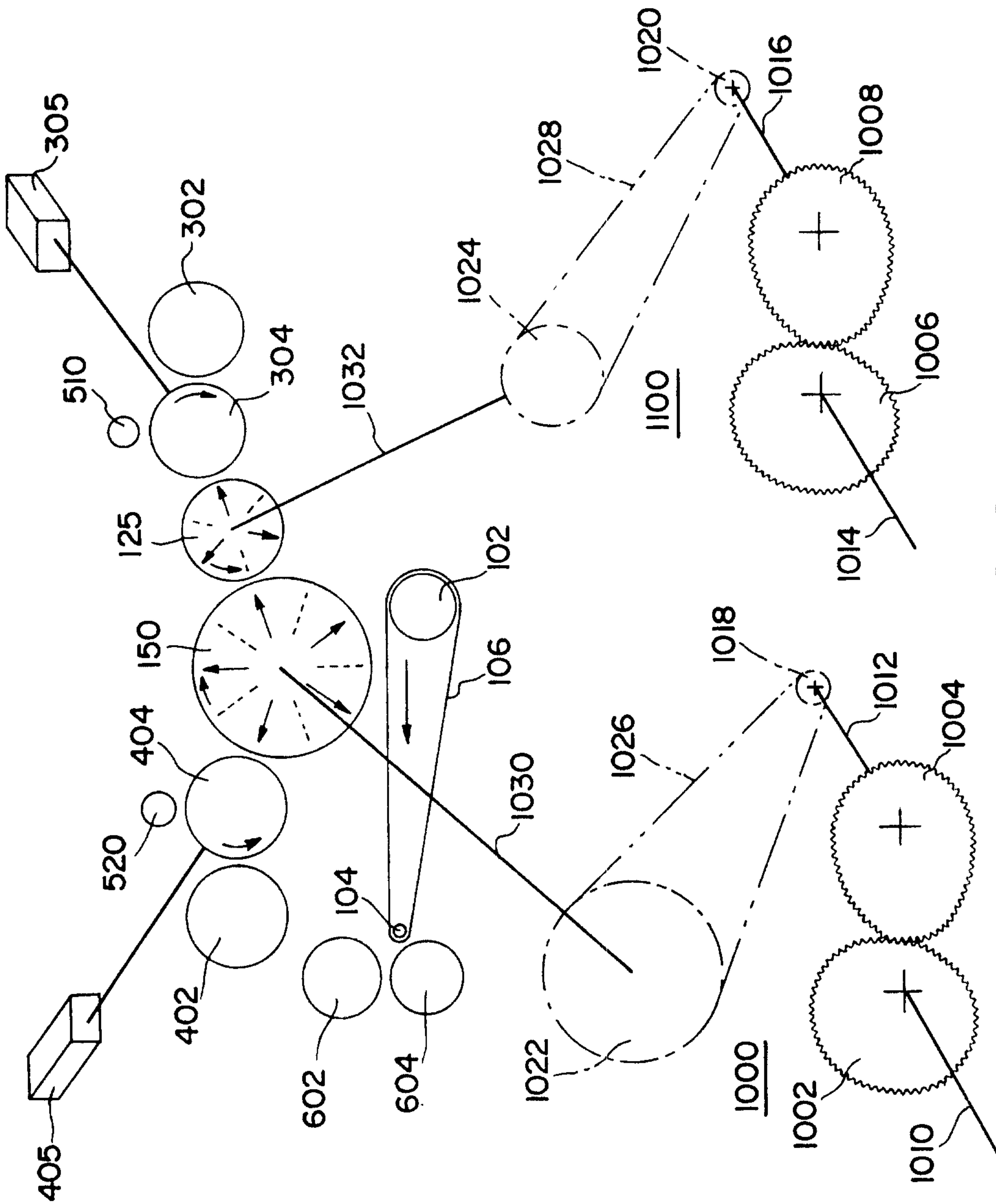


FIG. 8

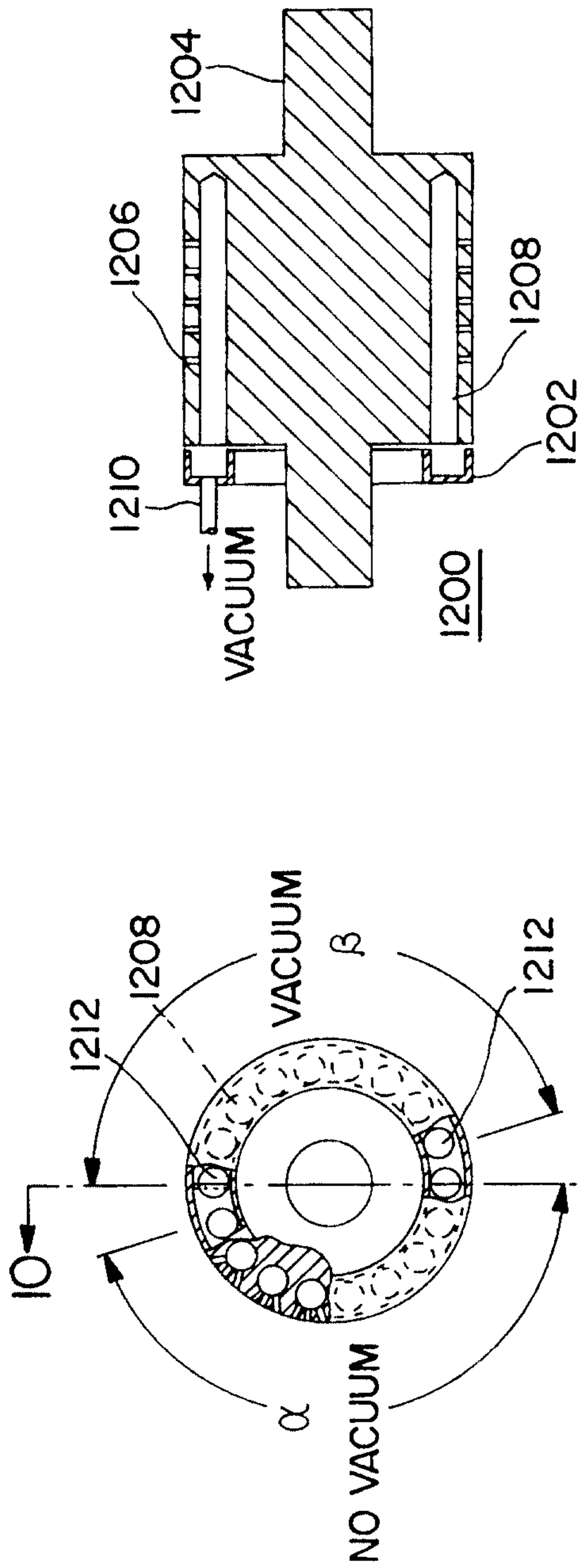


FIG. 10

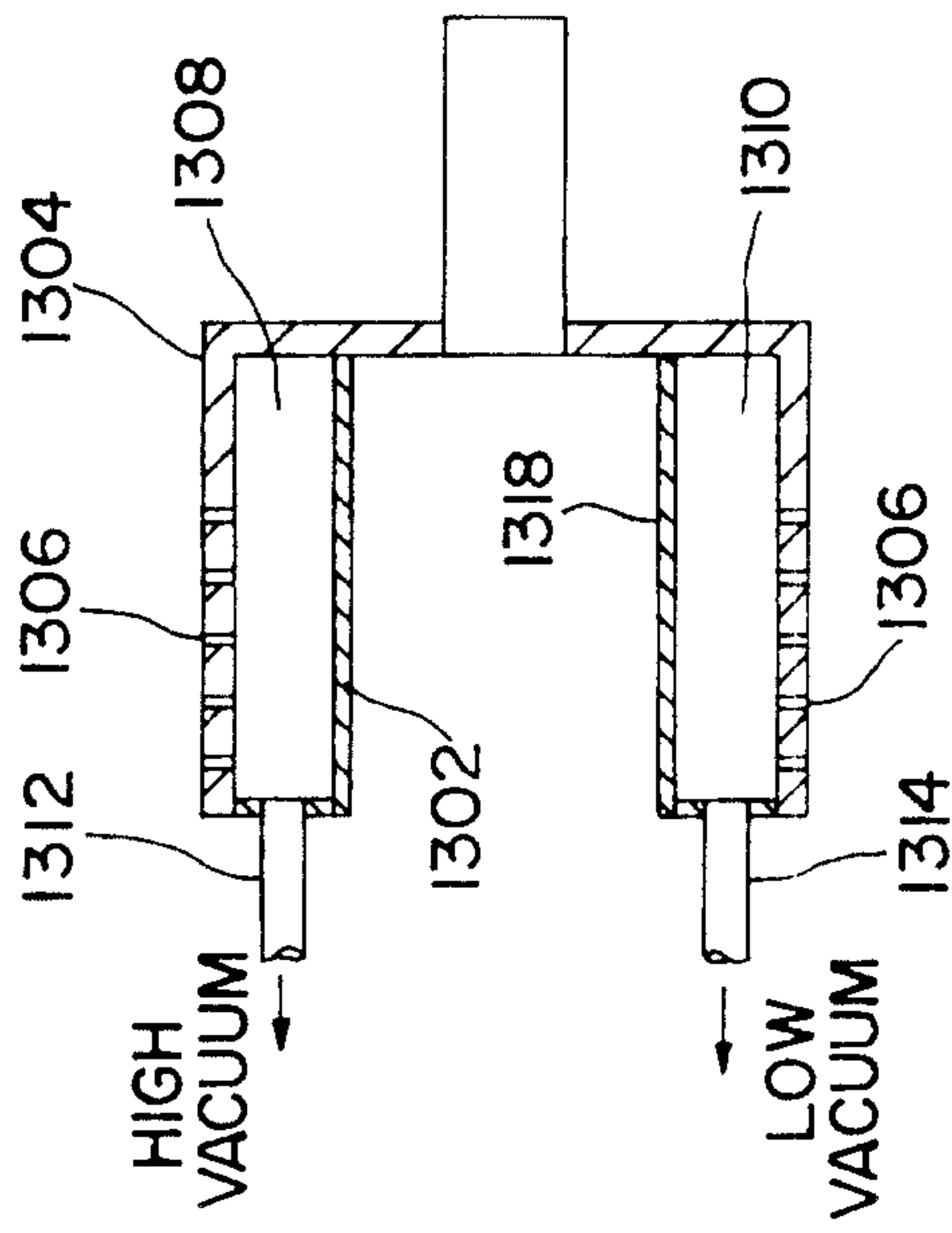


FIG. 12

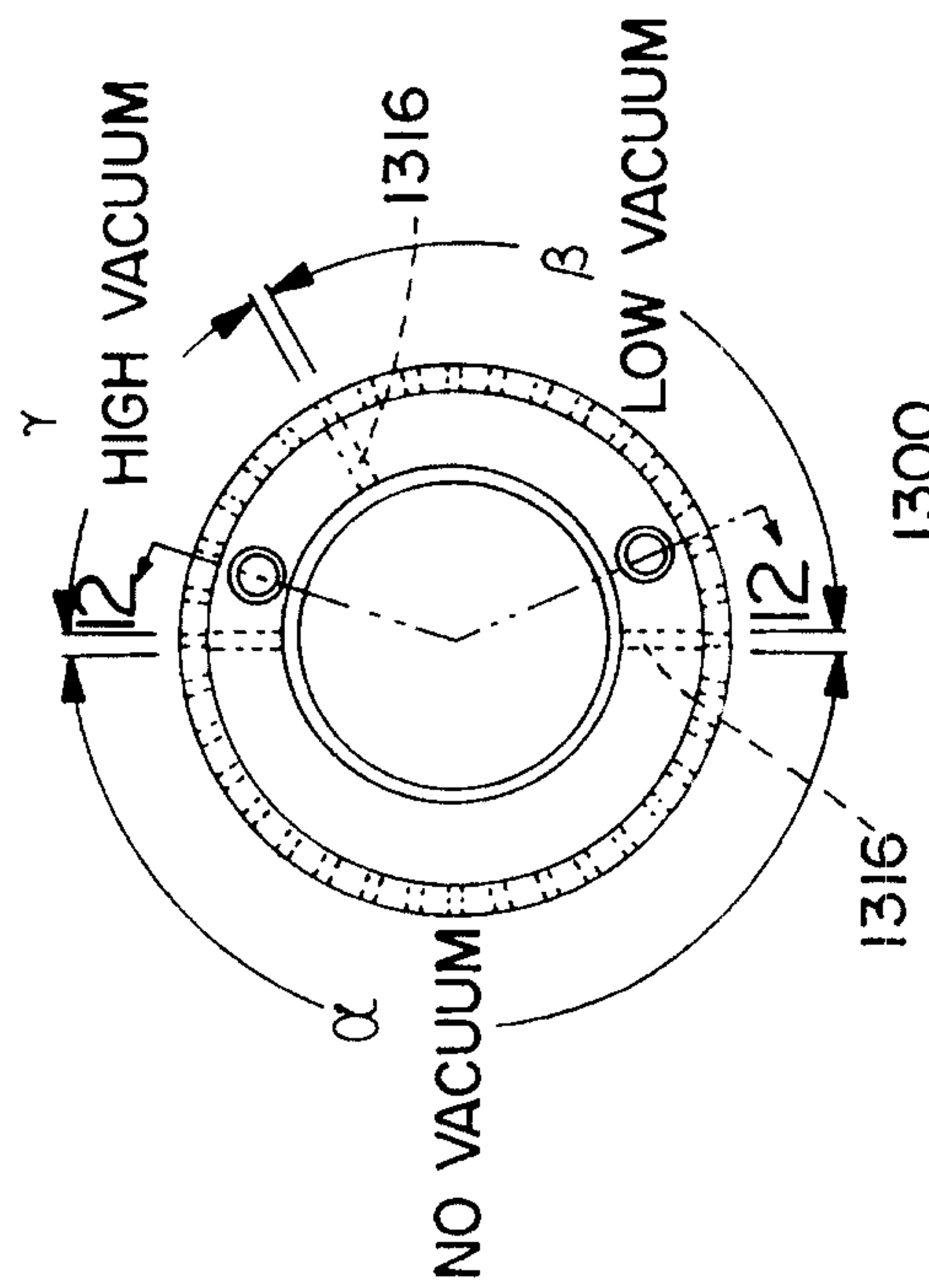


FIG. 11

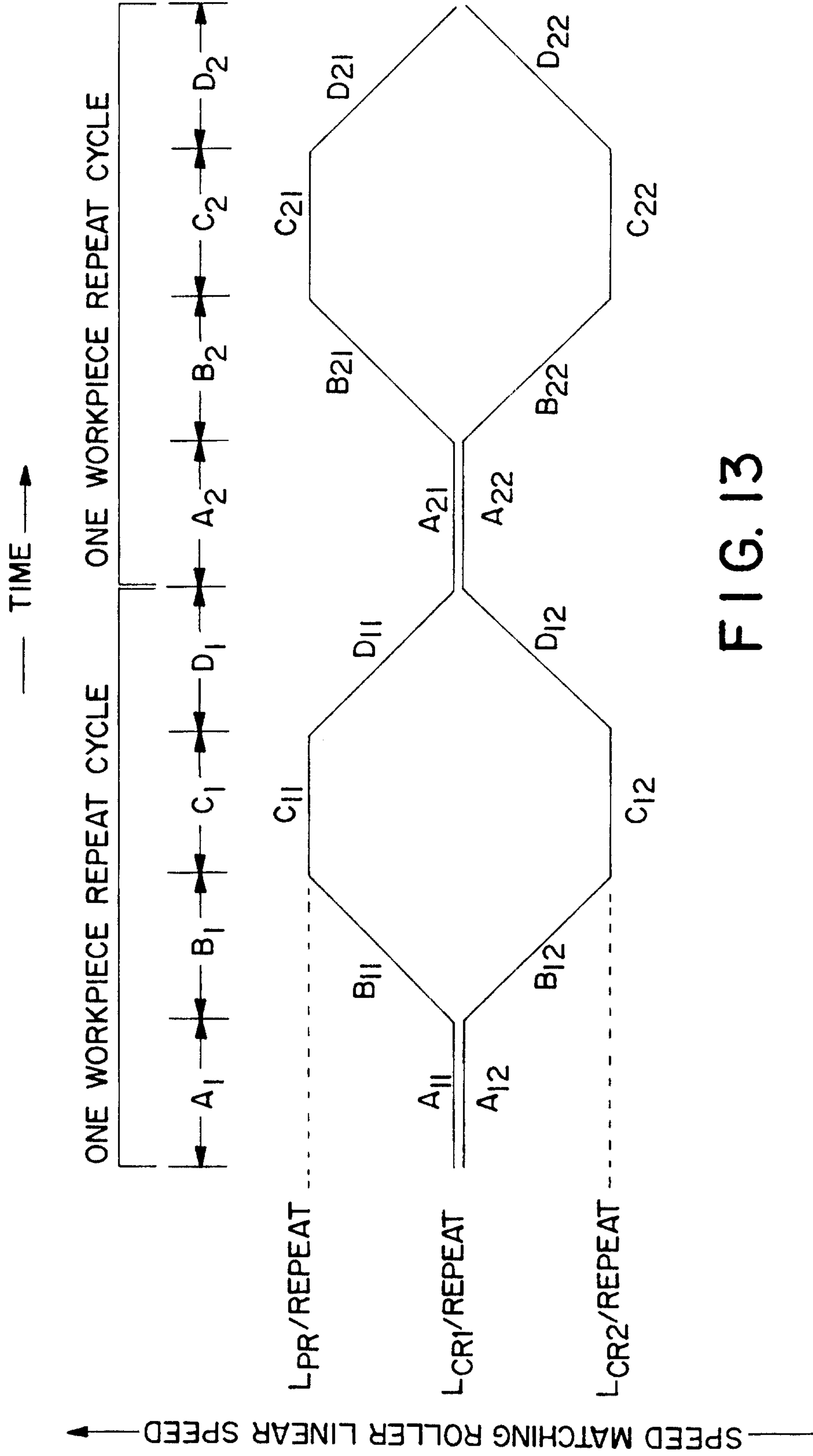
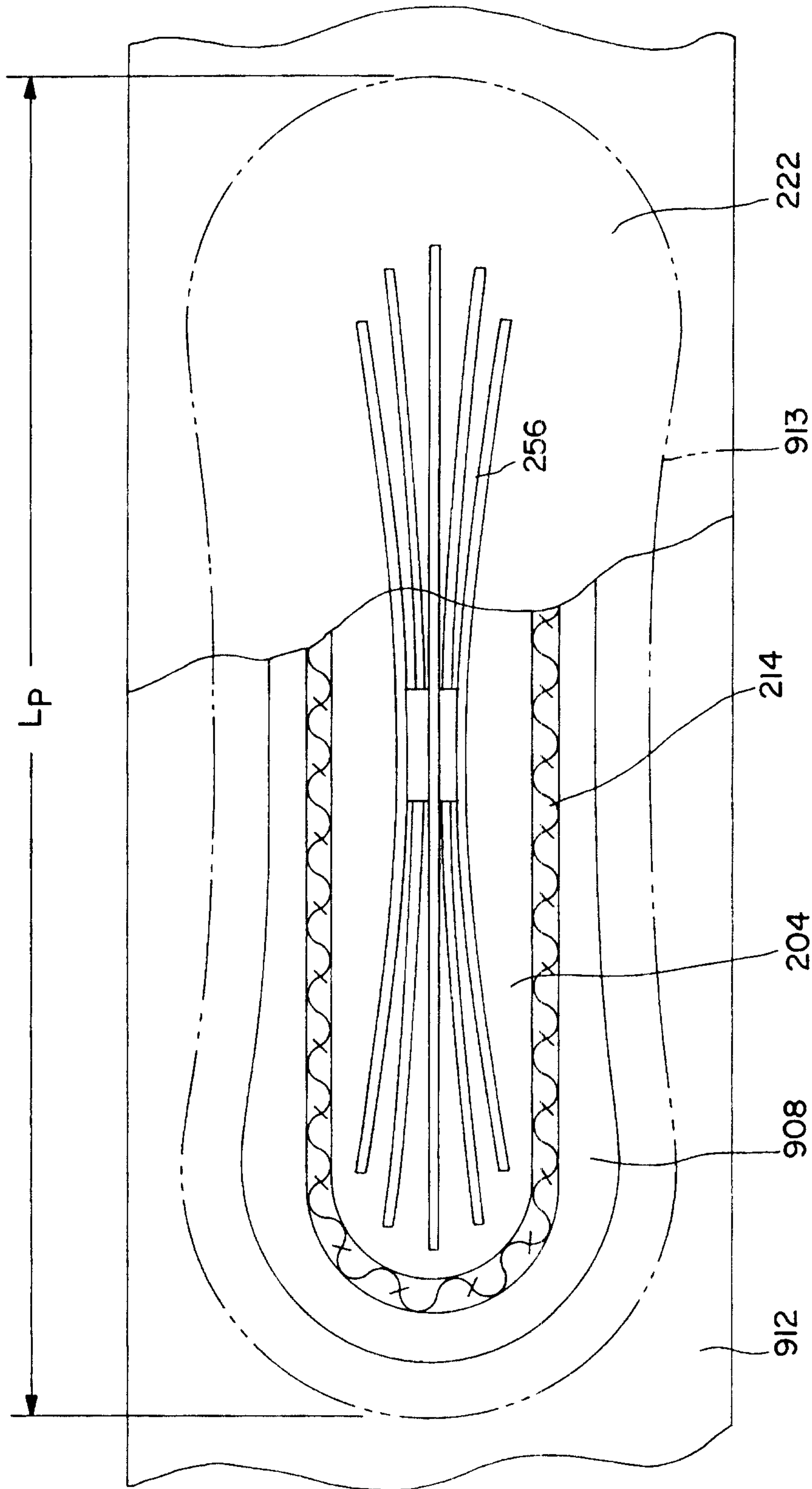


FIG. 13



900
FIG.14

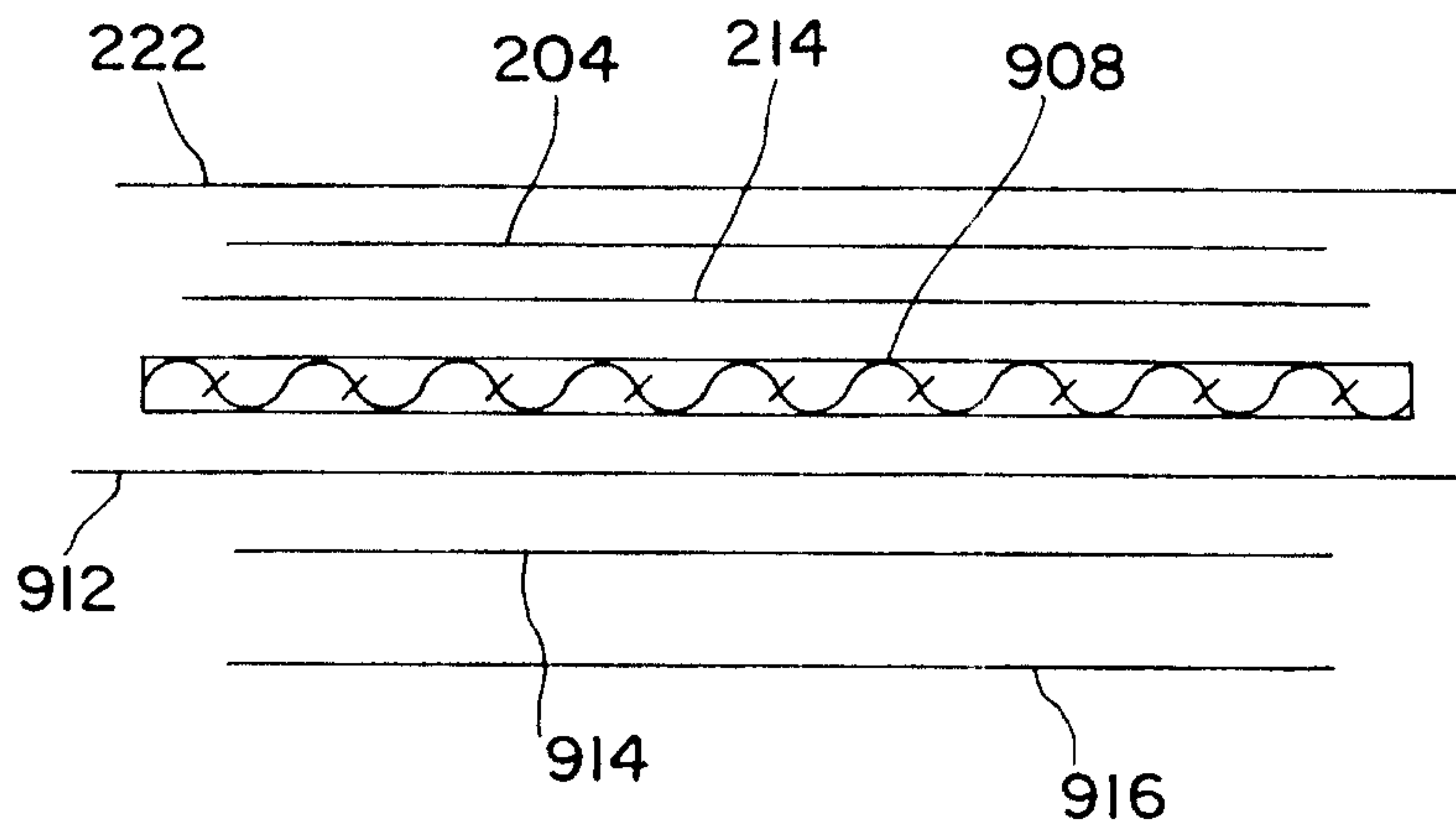


FIG. 15

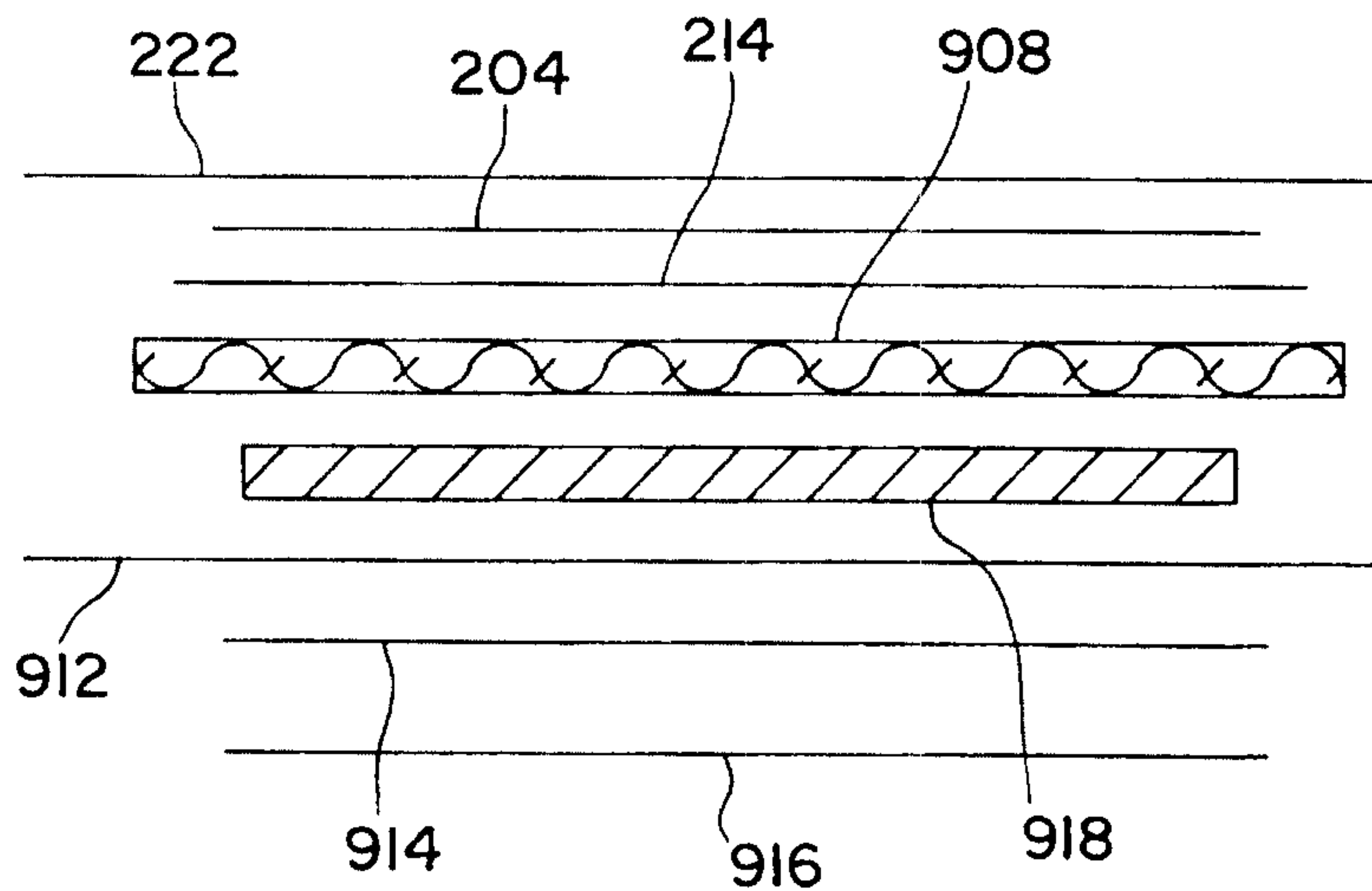


FIG. 16

