



(12) **United States Design Patent**  
**Laffon de Mazieres et al.**

(10) **Patent No.:** **US D870,114 S**  
(45) **Date of Patent:** **\*\* Dec. 17, 2019**

- (54) **ADAPTER**
- (71) Applicant: **Amazon Technologies, Inc.**, Seattle, WA (US)
- (72) Inventors: **Emmanuel J M Laffon de Mazieres**, Burlingame, CA (US); **Christopher Green**, San Francisco, CA (US); **Giles David Matthew McWilliam**, San Francisco, CA (US)
- (73) Assignee: **Amazon Technologies, Inc.**, Seattle, WA (US)

D707,180 S	6/2014	Yi et al.	
D731,489 S *	6/2015	Langhammer .....	D14/433
D742,320 S	11/2015	Akana et al.	
D755,790 S	5/2016	Salvatori et al.	
D784,340 S *	4/2017	Laffon de Mazieres ....	D14/433
D788,112 S *	5/2017	Liao .....	D14/433
D789,123 S	6/2017	Akana et al.	
D789,935 S	6/2017	Zheng et al.	
D792,409 S	7/2017	Shim	
D798,301 S *	9/2017	Kujawski .....	D14/433
D814,423 S	4/2018	Akana et al.	
D820,264 S	6/2018	Lai et al.	
10,014,095 B1	7/2018	McHatet	

(Continued)

(\*\*) Term: **15 Years**

**OTHER PUBLICATIONS**

(21) Appl. No.: **29/677,877**

Chinese Office Action dated Oct. 10, 2017 for Chinese design application No. 201730255771.X, a counterpart foreign application of Design U.S. Appl. No. 29/588,340, 1 page.

(22) Filed: **Jan. 24, 2019**

*Primary Examiner* — Austin Murphy

**Related U.S. Application Data**

(62) Division of application No. 29/588,340, filed on Dec. 20, 2016, now Pat. No. Des. 845,303.

(74) *Attorney, Agent, or Firm* — Lee & Heays, P.C.

(51) **LOC (12) Cl.** ..... **14-02**

(52) **U.S. Cl.**  
USPC ..... **D14/433**

(57) **CLAIM**

(58) **Field of Classification Search**  
USPC ..... D14/240, 242, 356, 358, 363, 365, 367, D14/370, 432-437, 439, 498, 125, 366, D14/168, 496; D13/147, 164, 123, 133, D13/146, 110, 199, 103, 162, 159, 160, D13/184; 361/683, 684, 686, 724, 735, 361/737, 752; D18/40  
CPC .... H01R 25/006; H01R 27/02; H01R 31/005; G06F 13/4022; G06F 13/382; G06F 1/1632; G06F 1/1684; G06F 1/20; G06F 1/1607

The ornamental design for an adapter, as shown and described.

See application file for complete search history.

**DESCRIPTION**

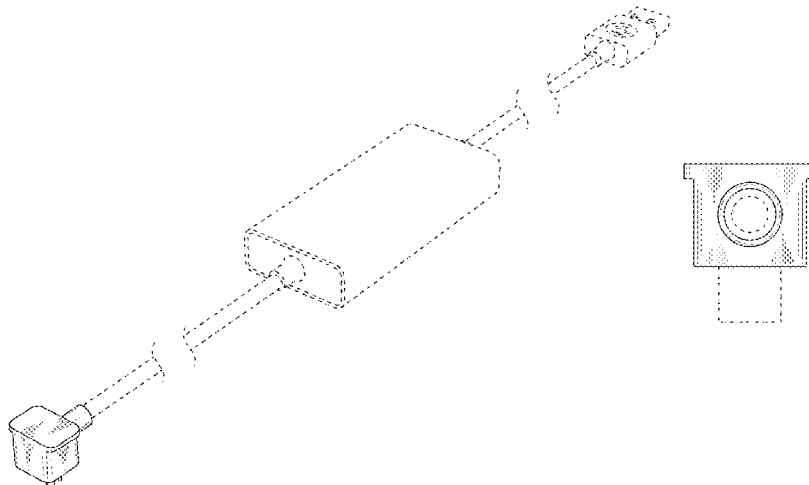
(56) **References Cited**

**U.S. PATENT DOCUMENTS**

D680,539 S	4/2013	Kim
D706,752 S	6/2014	Myung et al.

FIG. 1 is a top perspective view of the adapter; FIG. 2 is a top view thereof; FIG. 3 is a bottom view thereof; FIG. 4 is a right-side view thereof; FIG. 5 is a left-side view thereof; FIG. 6 is a front view thereof; FIG. 7 is a back view thereof; and, FIG. 8 is an enlarged cross-sectional view of the adapter taken along the line labeled FIG. 8 in FIG. 3. The broken lines depict portions of the adapter that form no part of the claimed design.

**1 Claim, 7 Drawing Sheets**



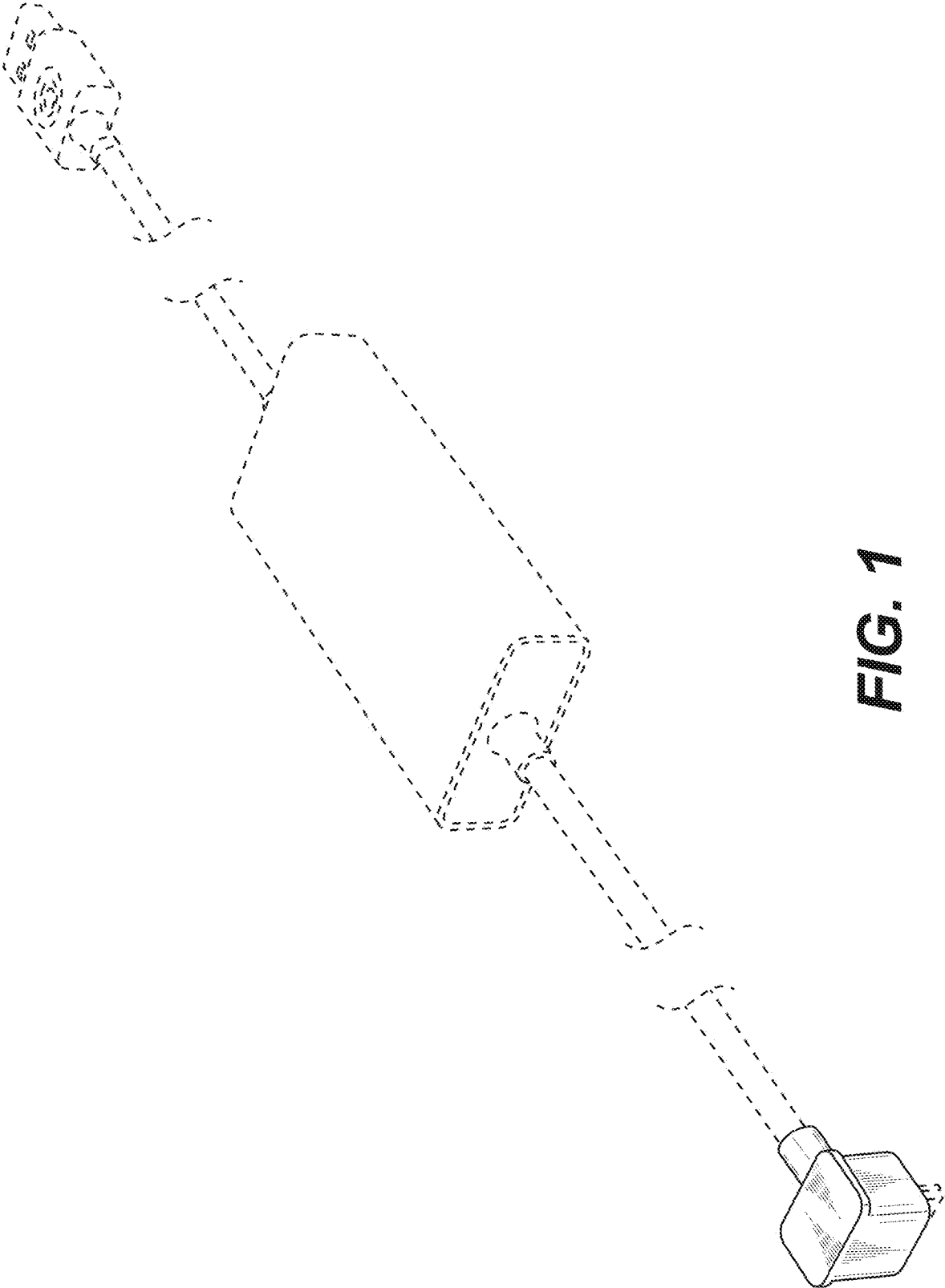
(56)

**References Cited**

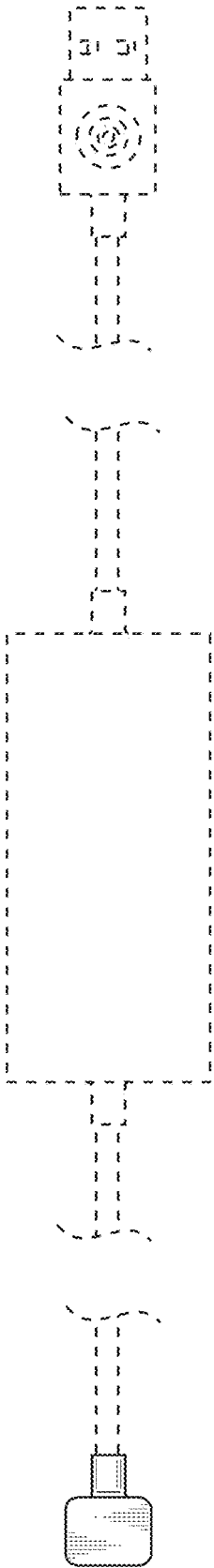
U.S. PATENT DOCUMENTS

D828,839	S *	9/2018	Zhang	.....	D14/433
D828,840	S *	9/2018	Zhang	.....	D14/433
D828,841	S *	9/2018	Zhang	.....	D14/433
D839,876	S *	2/2019	Turksu	.....	D14/435.1
D845,303	S *	4/2019	Laffon de Mazieres	....	D14/433
D845,898	S *	4/2019	Laffon de Mazieres	....	D13/110
D847,139	S *	4/2019	Wang	.....	D14/433
2007/0293079	A1	12/2007	Chao et al.		
2014/0075051	A1	3/2014	Zadesky et al.		

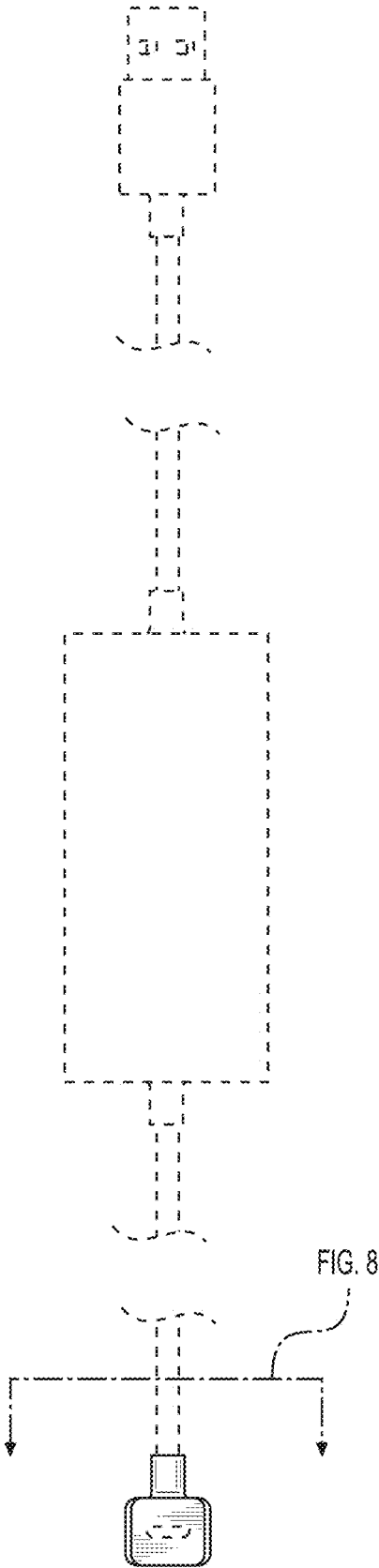
\* cited by examiner

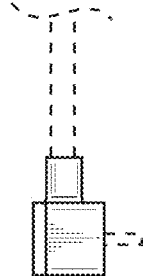
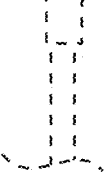
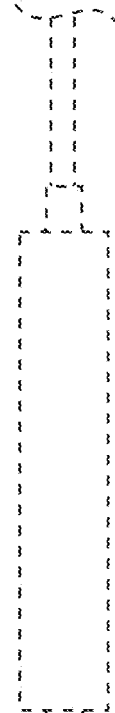
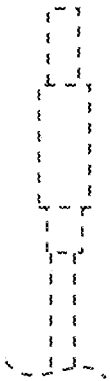


**FIG. 1**

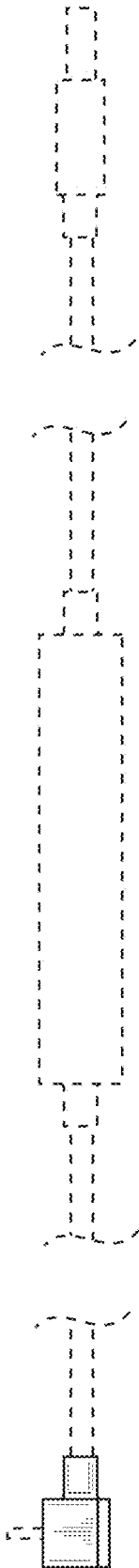


**FIG. 2**





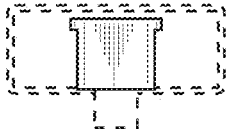
**FIG. 4**



**FIG. 5**

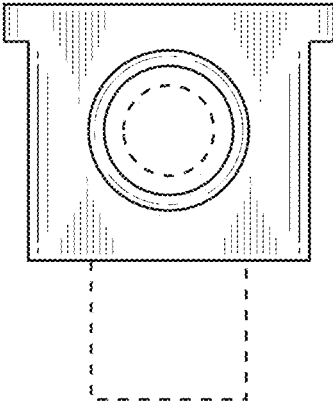


**FIG. 6**



**FIG. 7**





**FIG. 8**