



US00D970406S

(12) **United States Design Patent**
Yang

(10) **Patent No.:** **US D970,406 S**

(45) **Date of Patent:** **** Nov. 22, 2022**

- (54) **POLARIZED SUN VISOR**
- (71) Applicant: **Guangzhou Jiaotu Information Technology Co., Ltd.**, Guangzhou (CN)
- (72) Inventor: **Taiping Yang**, Guangzhou (CN)
- (**) Term: **15 Years**
- (21) Appl. No.: **29/791,843**
- (22) Filed: **Feb. 11, 2022**
- (51) **LOC (13) Cl.** **12-16**
- (52) **U.S. Cl.**
USPC **D12/191**
- (58) **Field of Classification Search**
USPC D12/191, 181, 183–185, 106, 417,
D12/311–312
CPC B60J 3/0208; B60J 3/02
See application file for complete search history.

- D808,318 S * 1/2018 Amante-Muniz D12/191
- D817,240 S * 5/2018 Cuche D12/191
- D833,350 S * 11/2018 Windel D12/191
- D892,010 S * 8/2020 Tan D12/191
- D918,807 S * 5/2021 Rose D12/191
- D936,545 S * 11/2021 Guo D12/191

* cited by examiner

Primary Examiner — Katrina A Betton

(57) **CLAIM**

The ornamental design for a polarized sun visor, as shown and described.

DESCRIPTION

FIG. 1 is a front and top perspective view of a polarized sun visor, showing my new design;
 FIG. 2 is a rear and bottom perspective view thereof;
 FIG. 3 is a front elevation view thereof;
 FIG. 4 is a rear elevation view thereof;
 FIG. 5 is a left side elevation view thereof;
 FIG. 6 is a right side elevation view thereof;
 FIG. 7 is a top plan view thereof;
 FIG. 8 is a bottom plan view thereof; and,
 FIG. 9 is an enlarged view of a portion labeled, 'FIG. 9' in FIG. 2.

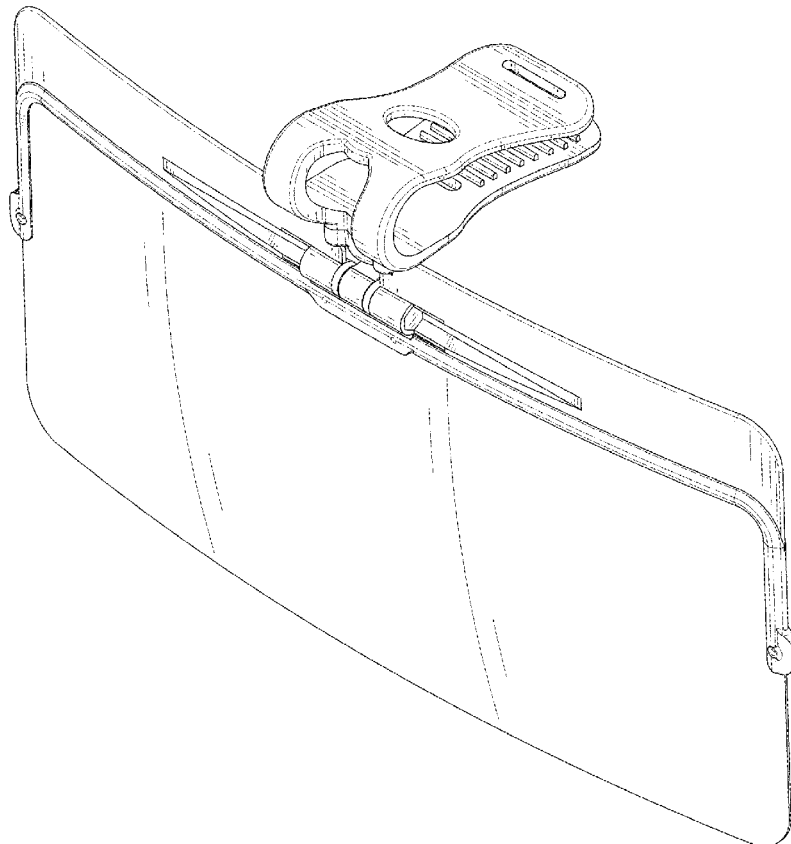
The broken lines in the figures illustrate portions of the polarized sun visor that form no part of the claimed design. The dash dot dash lines in FIGS. 2 and 9 are for the purpose of depicting the boundary lines of the enlarged view and form no part of the claimed design.

1 Claim, 9 Drawing Sheets

(56) **References Cited**

U.S. PATENT DOCUMENTS

- D525,574 S 7/2006 Conway et al.
- D691,079 S * 10/2013 Oswald D12/191
- D740,189 S * 10/2015 Lopez-Ross D12/191
- D740,190 S * 10/2015 Spencer D12/191
- D741,763 S * 10/2015 Levi D12/191
- D762,539 S * 8/2016 Marcus D12/191
- D797,629 S * 9/2017 Abruzzio D12/191



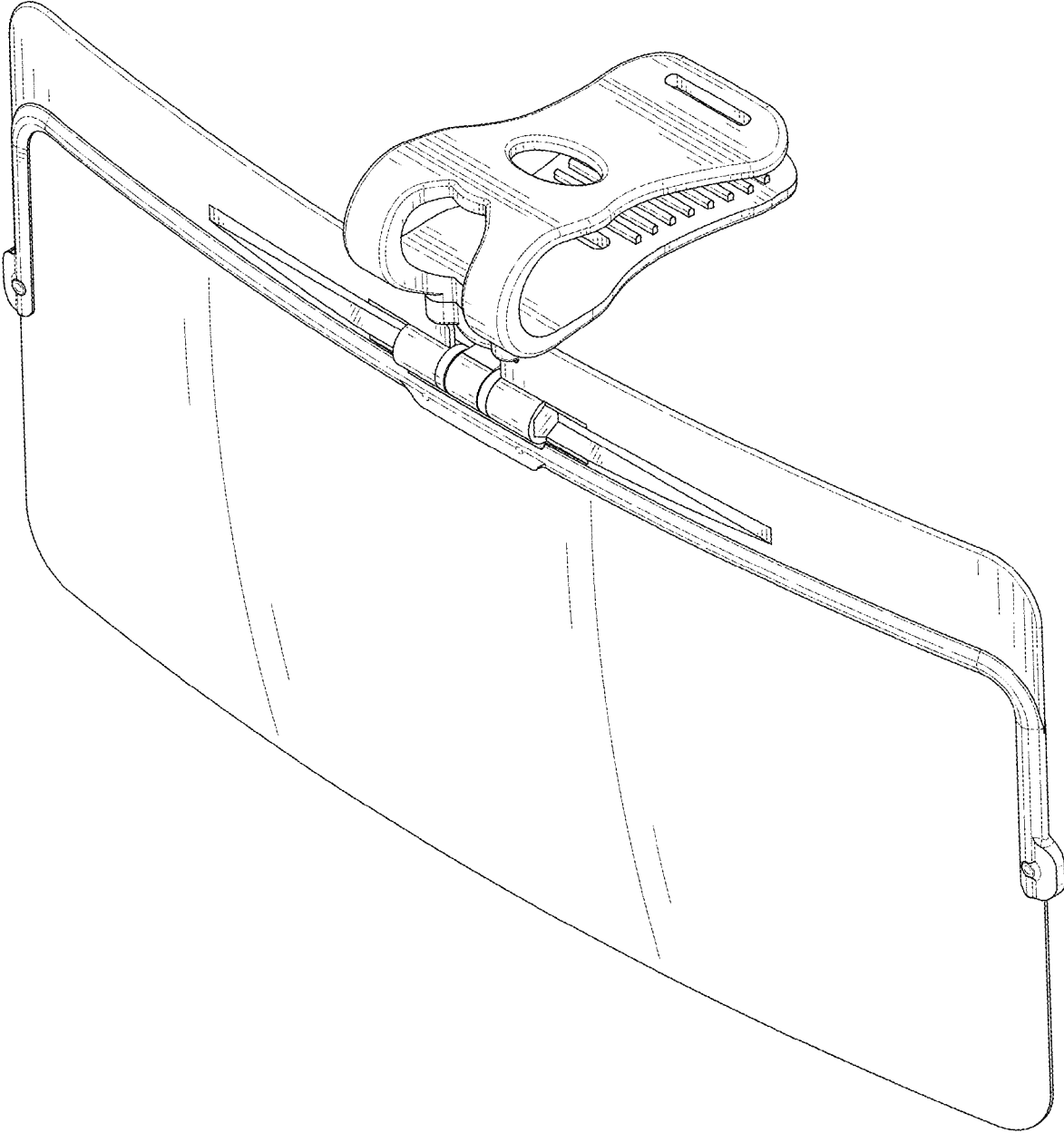


FIG. 1

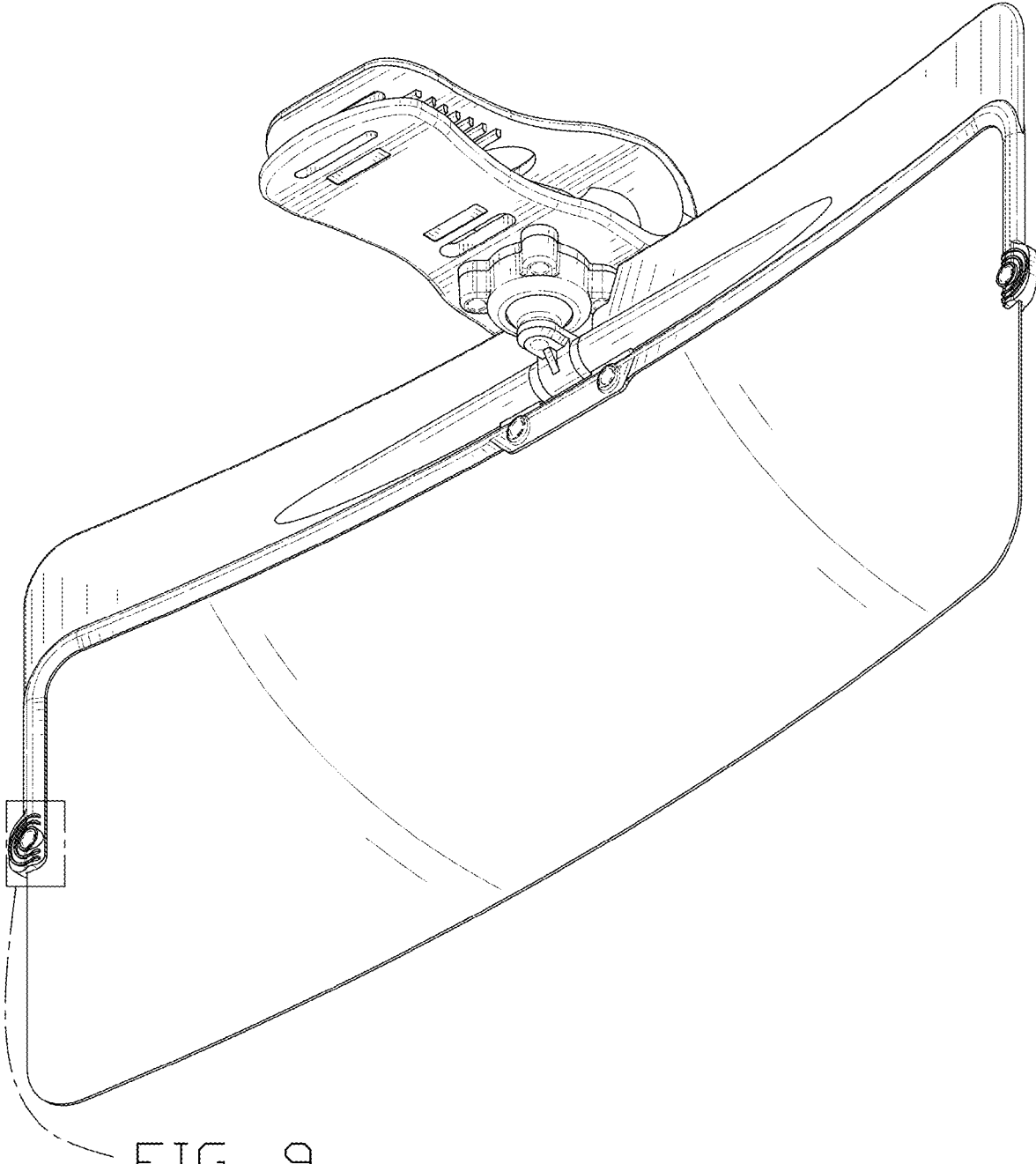


FIG. 9

FIG. 2

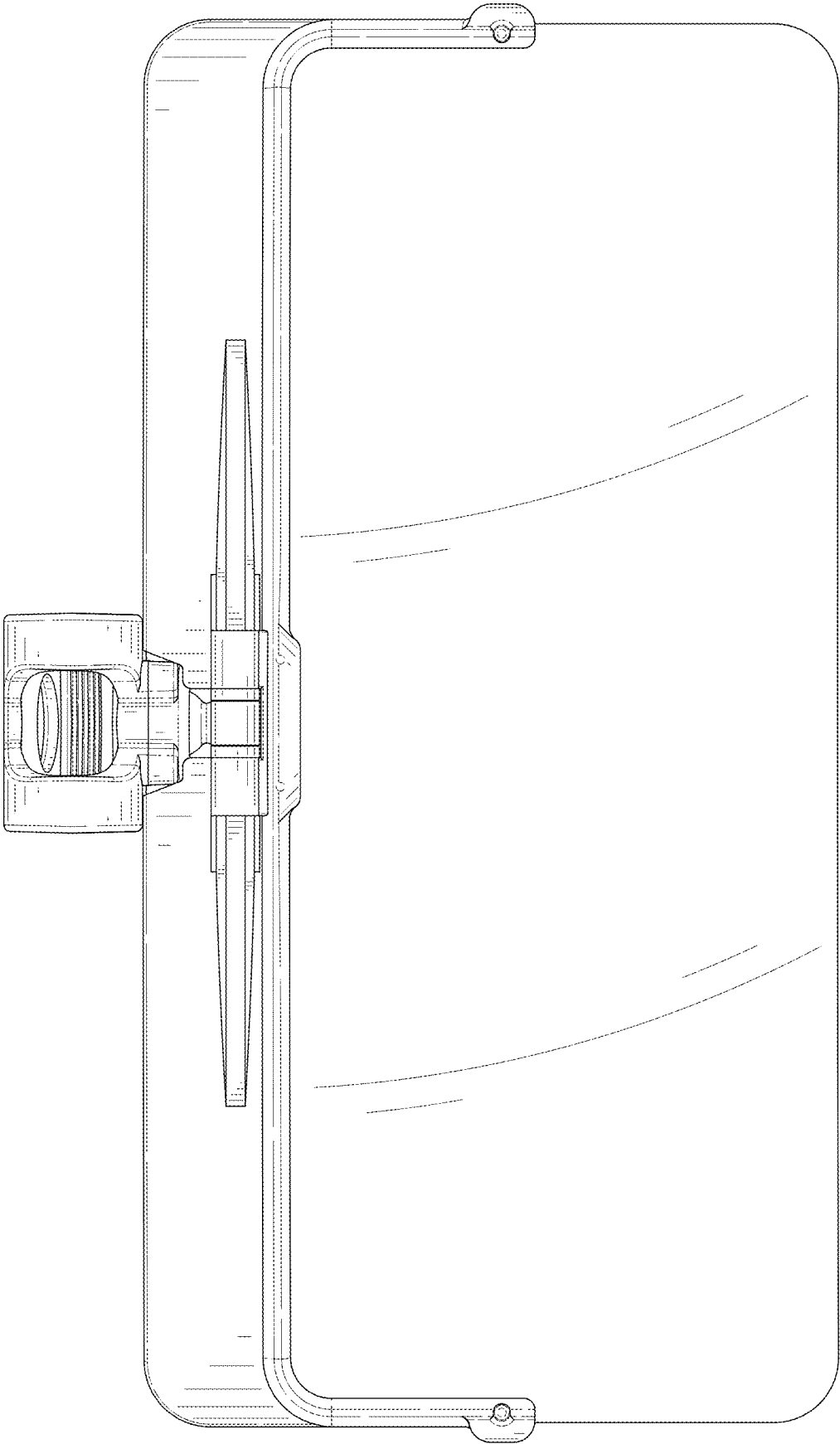


FIG. 3

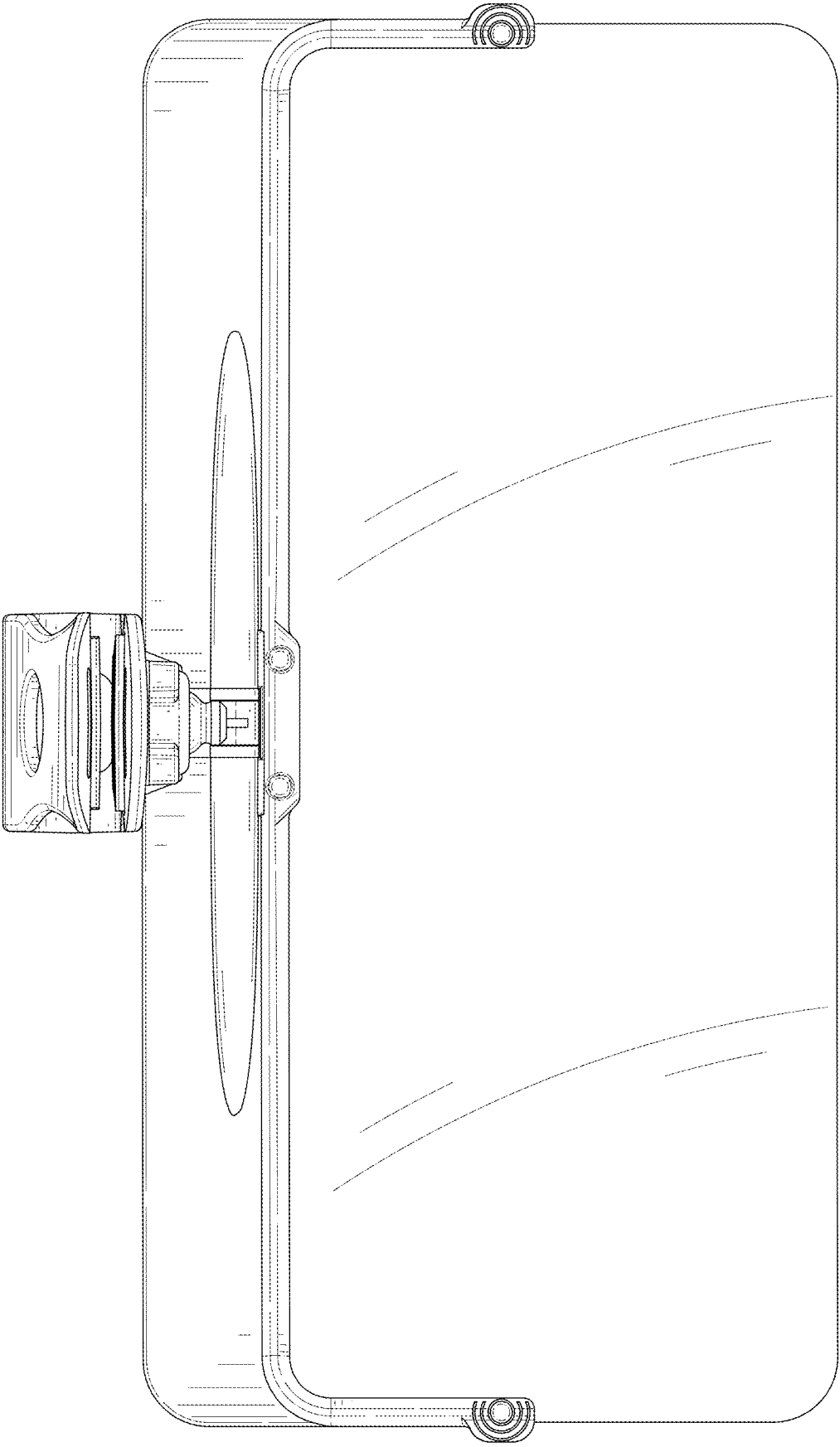


FIG. 4

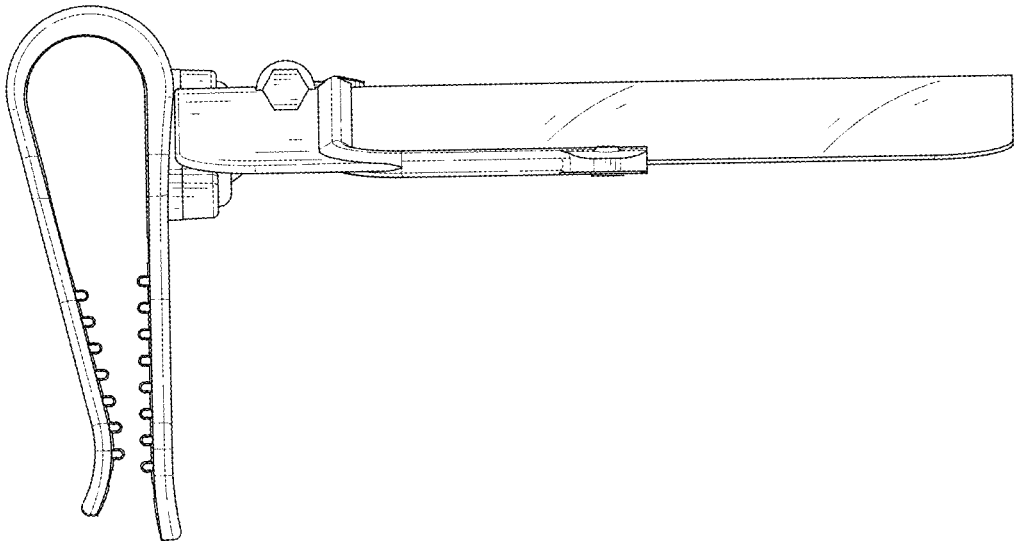


FIG. 5

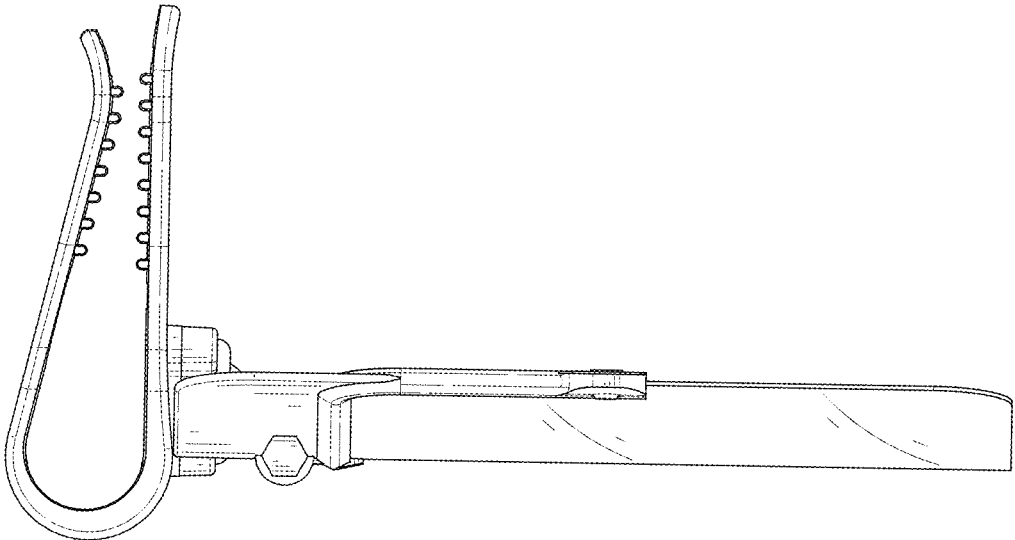


FIG. 6

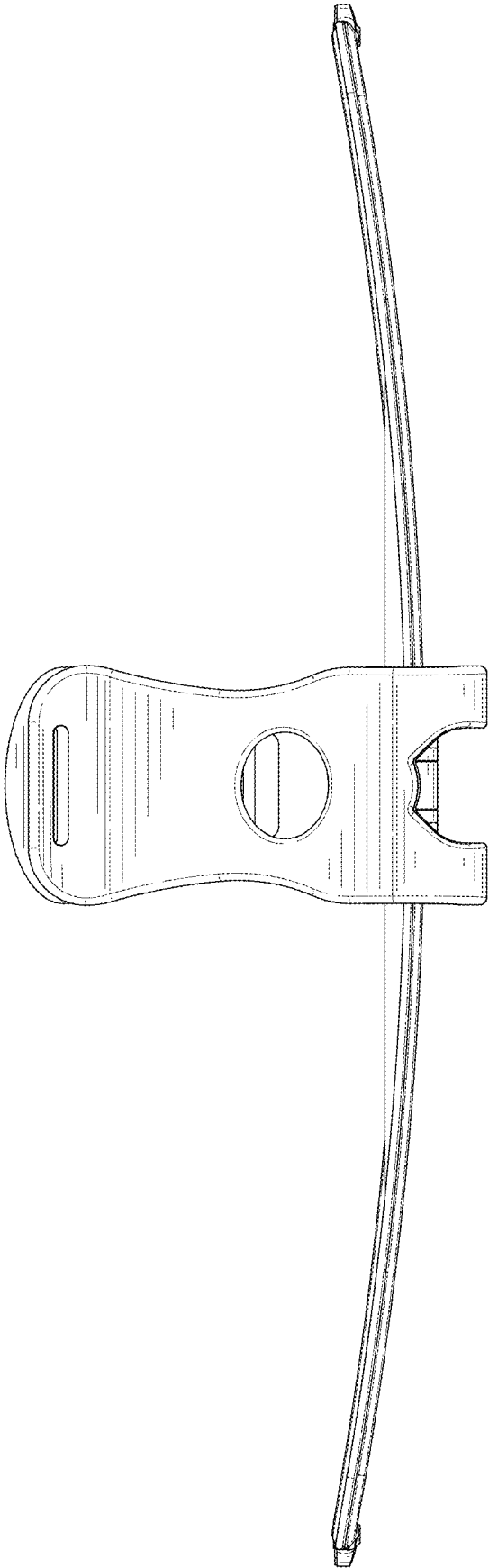


FIG. 7

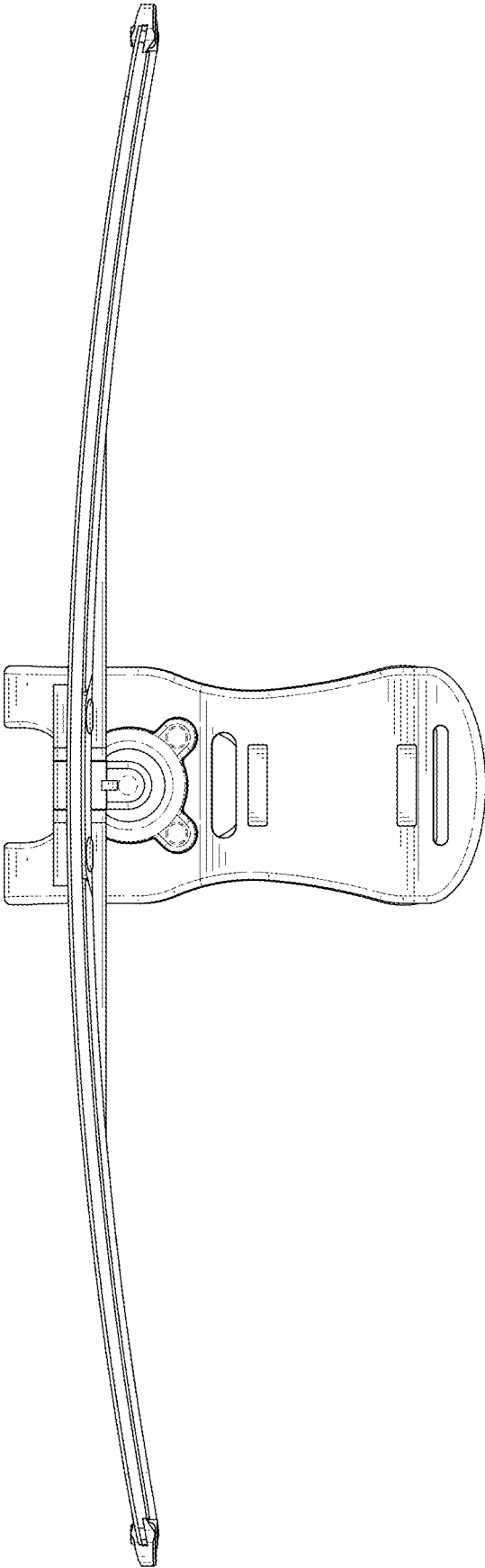


FIG. 8

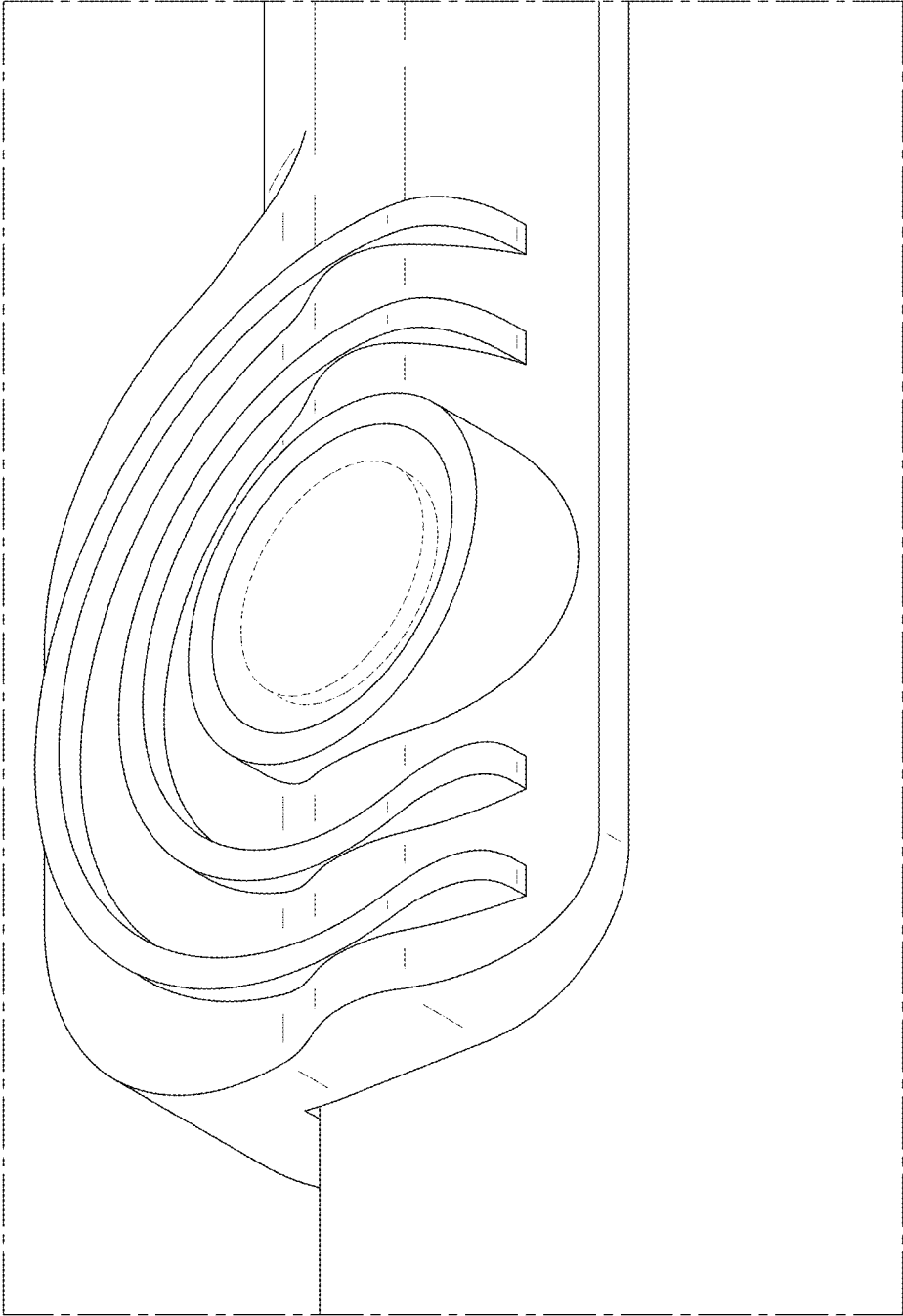


FIG. 9