



US00D888500S

(12) **United States Design Patent**
Glerum

(10) **Patent No.:** **US D888,500 S**

(45) **Date of Patent:** **** Jun. 30, 2020**

- (54) **BEVERAGE TUMBLER**
- (71) Applicant: **Chad Glerum**, Pennsburg, PA (US)
- (72) Inventor: **Chad Glerum**, Pennsburg, PA (US)
- (**) Term: **15 Years**
- (21) Appl. No.: **29/669,011**
- (22) Filed: **Nov. 5, 2018**
- (51) **LOC (12) CL.** **07-01**
- (52) **U.S. CL.**
USPC **D7/532; D7/509**
- (58) **Field of Classification Search**
USPC D7/509, 510, 511, 523, 529, 532, 530,
D7/531, 533, 536, 318, 319, 507, 524,
D7/392.1, 396.2, 300.2; D9/503, 504,
D9/440, 449, 450, 609, 601, 435, 436,
D9/684, 688, 728, 686, 443, 439;
D3/202
CPC A47G 19/22; A47G 19/2288; A47G
19/2205; A47G 19/2272; B65D 1/265;
A47J 41/0077; A47J 41/0088; A47J
41/028
See application file for complete search history.

- 8,807,340 B2 * 8/2014 Zimmer A47G 19/2255
206/509
- D805,853 S * 12/2017 Waskow D7/608
- D836,983 S * 1/2019 Jacob D7/510
- D846,947 S * 4/2019 Godinger D7/507
- 2006/0249518 A1 * 11/2006 Festa A47G 19/2205
220/669
- 2011/0132781 A1 * 6/2011 Willat B65D 1/0276
206/217
- 2019/0307292 A1 * 10/2019 Haas A47J 41/0088

* cited by examiner

Primary Examiner — Jae Liang

(57) **CLAIM**

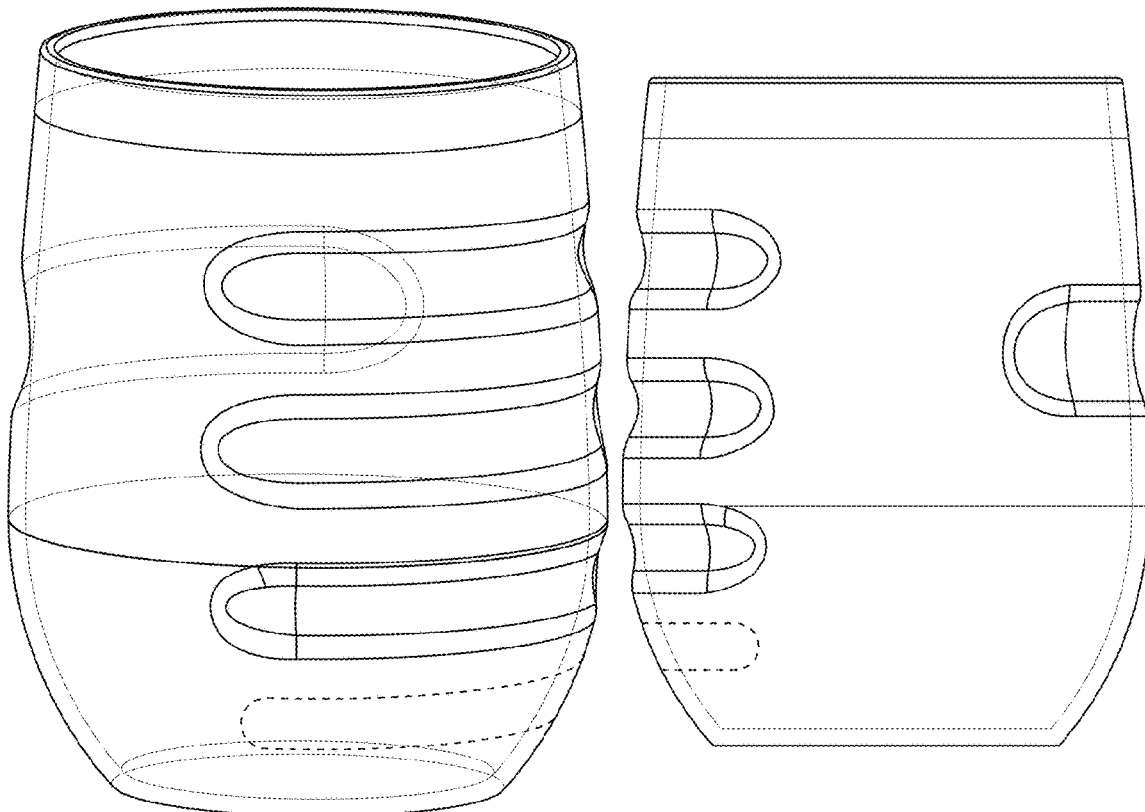
The ornamental design for a beverage tumbler, as shown and described herein.

DESCRIPTION

FIG. 1 shows a perspective view of a beverage tumbler showing a new design;
 FIG. 2 shows a front view thereof;
 FIG. 3 shows a rear view thereof;
 FIG. 4 shows a side view thereof;
 FIG. 5 shows another side view thereof;
 FIG. 6 shows a top view thereof; and,
 FIG. 7 shows a bottom view thereof.
 In the drawings, the broken lines depict unclaimed subject matter and form no part of the claimed design.

1 Claim, 7 Drawing Sheets

- (56) **References Cited**
U.S. PATENT DOCUMENTS
D541,665 S * 5/2007 Druart D9/614
7,628,285 B2 * 12/2009 Salvia B65D 23/102
215/384



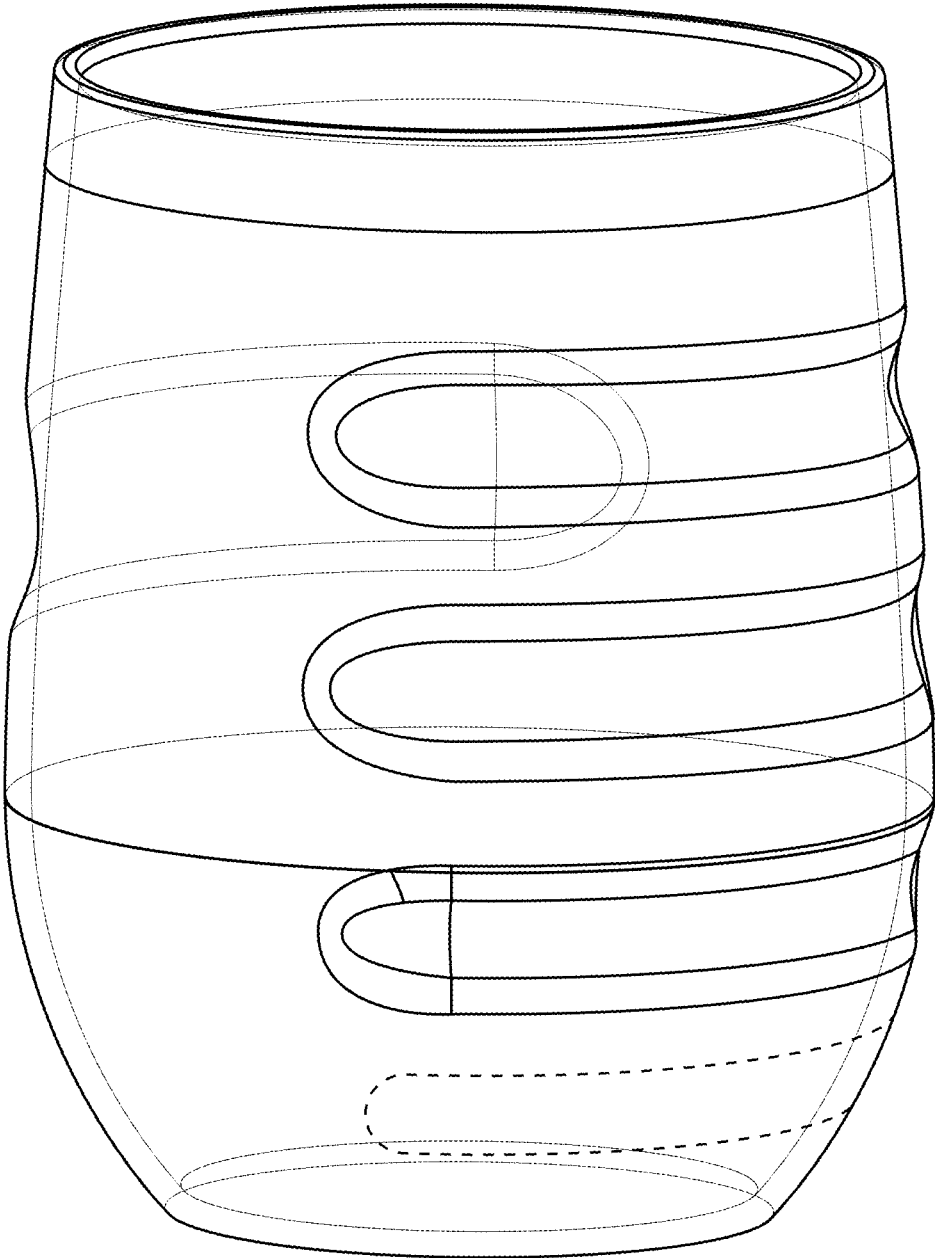


FIG. 1

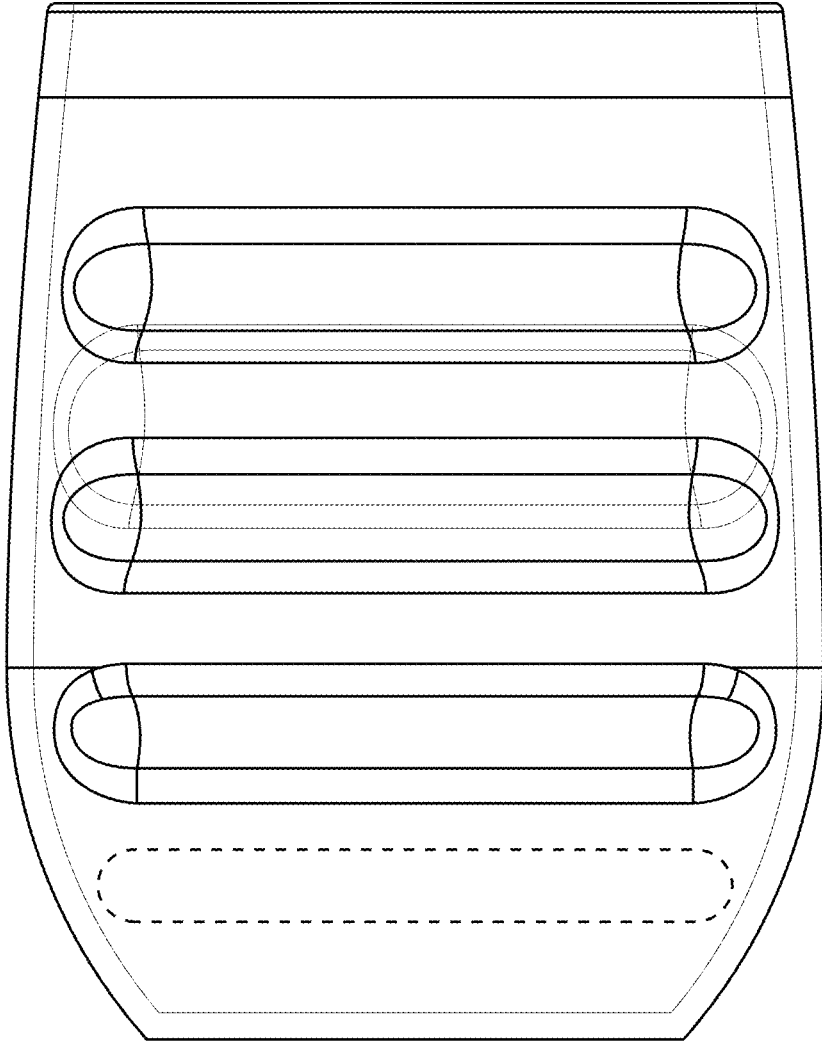


FIG. 2

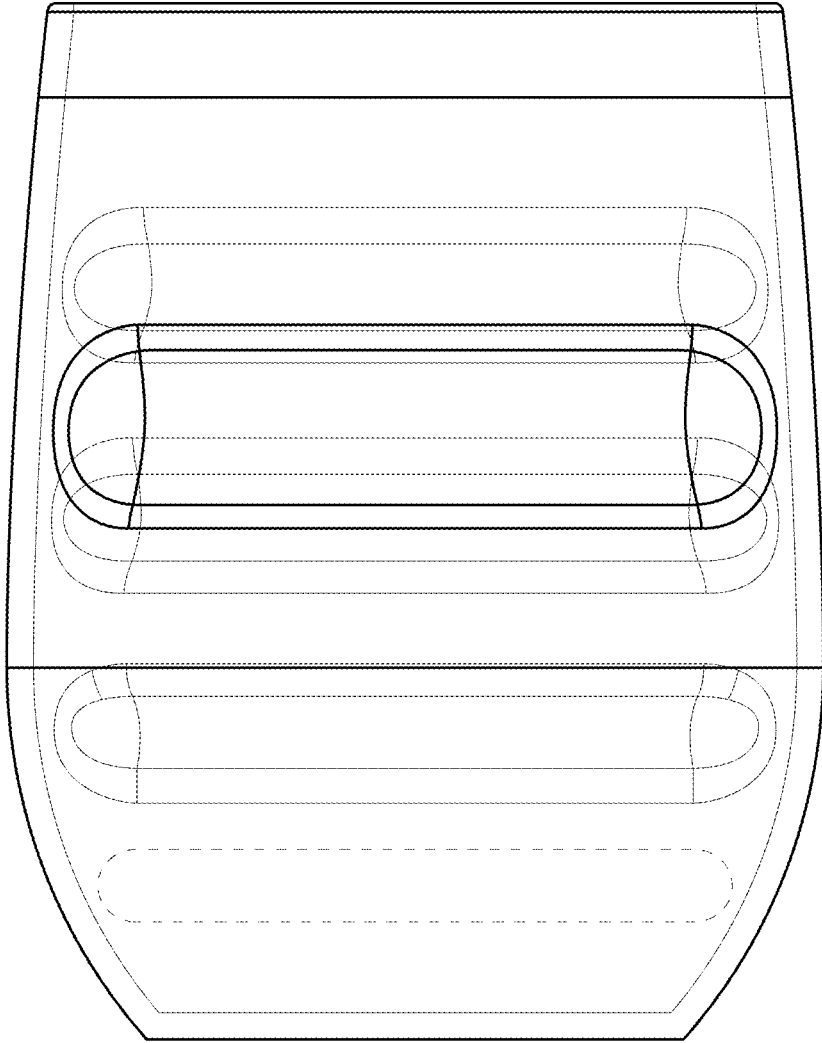


FIG. 3

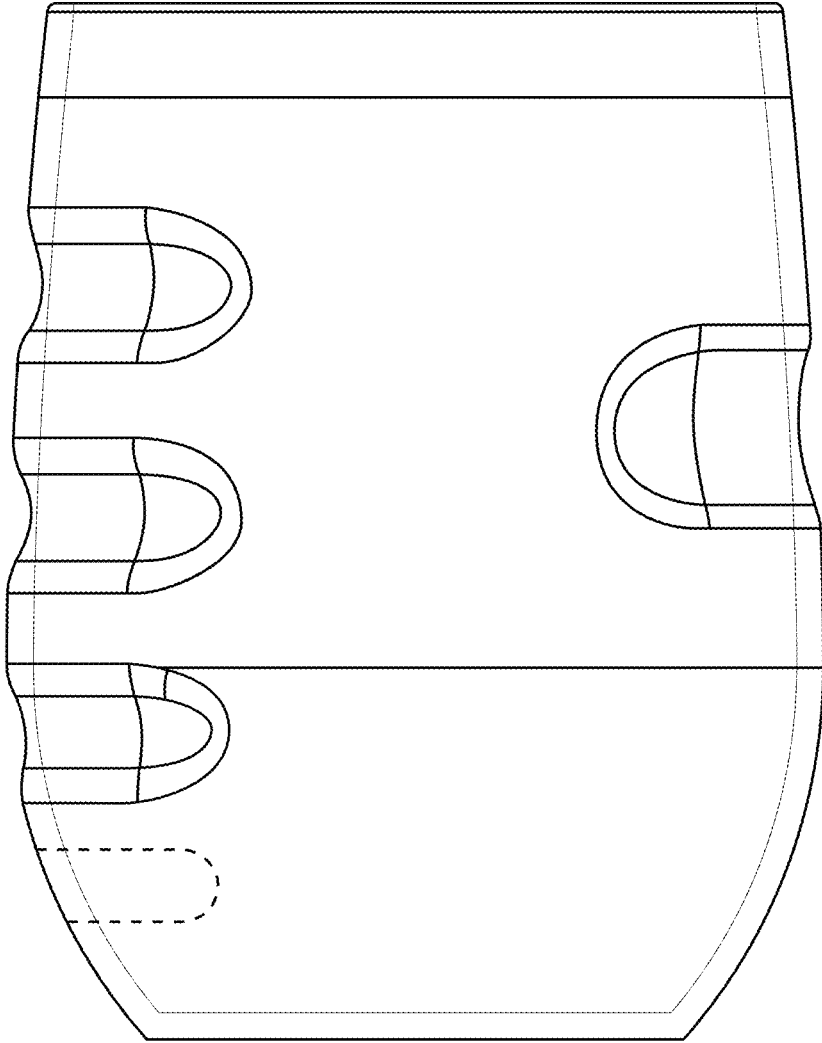


FIG. 4

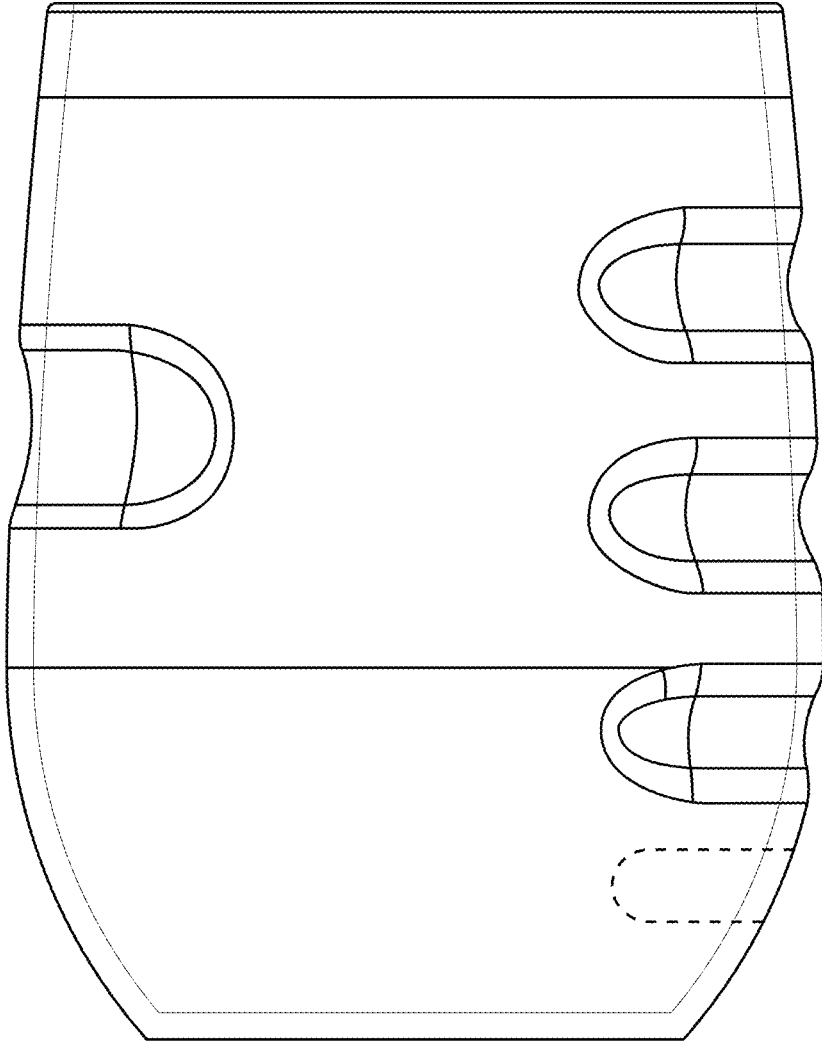


FIG. 5

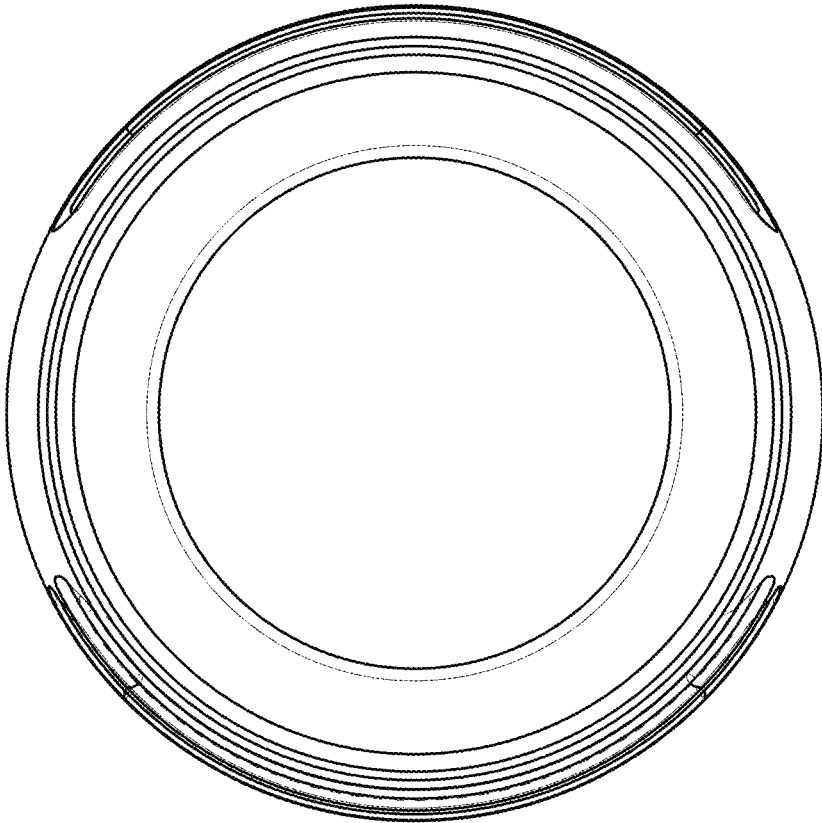


FIG. 6

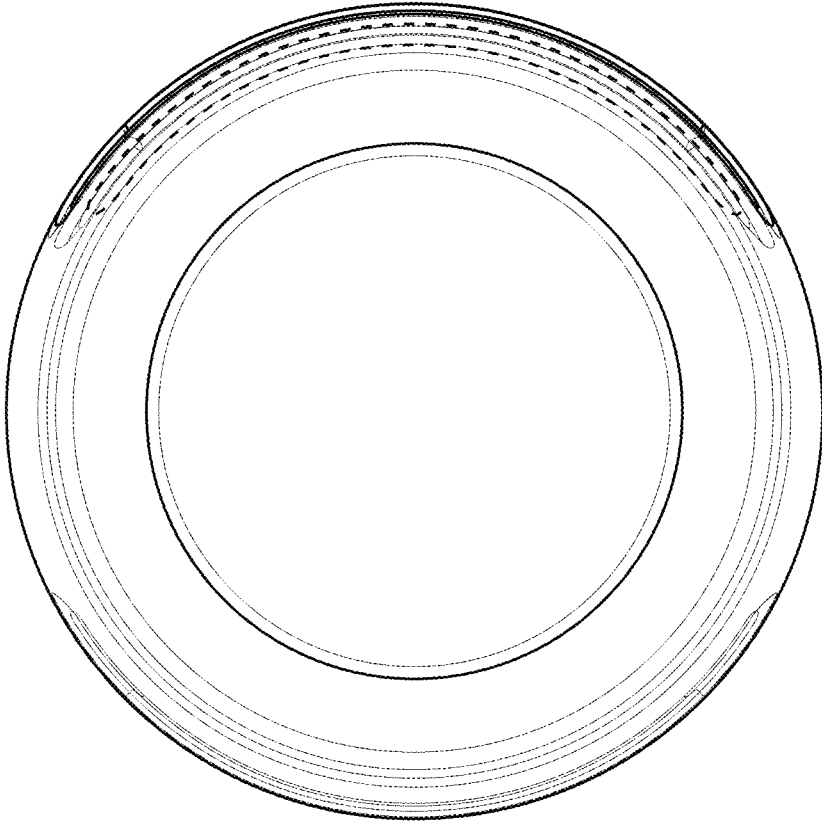


FIG. 7