



US00D415001S

United States Patent [19] Welsh

[11] Patent Number: **Des. 415,001**

[45] Date of Patent: **** Oct. 12, 1999**

[54] **CHOP SAW**

[75] Inventor: **Robert P. Welsh**, Hunt Valley, Md.

[73] Assignee: **Black & Decker Inc.**, Newark, Del.

[**] Term: **14 Years**

[21] Appl. No.: **29/099,989**

[22] Filed: **Feb. 1, 1999**

Related U.S. Application Data

[63] Continuation-in-part of application No. 29/088,894, Jun. 3, 1998, Pat. No. Des. 409,066.

[51] **LOC (6) Cl.** **08-03**

[52] **U.S. Cl.** **D8/66; D15/133**

[58] **Field of Search** **D8/61, 64-69; 30/377-378, 388-391**

[56] References Cited

U.S. PATENT DOCUMENTS

D. 315,854 4/1991 Kawakami et al. D8/66
D. 372,484 8/1996 Price et al. D15/133

3,821,918	7/1974	Niehaus et al.	83/471.3
4,537,105	8/1985	Bergler	83/471.3
4,799,416	1/1989	Kumasaka et al.	83/397
4,934,233	6/1990	Brundage et al.	83/397
5,207,141	5/1993	Dehari	83/471.3
5,216,964	6/1993	Sato et al.	83/471.3

Primary Examiner—Nelson C. Holtje
Attorney, Agent, or Firm—Adan Ayala

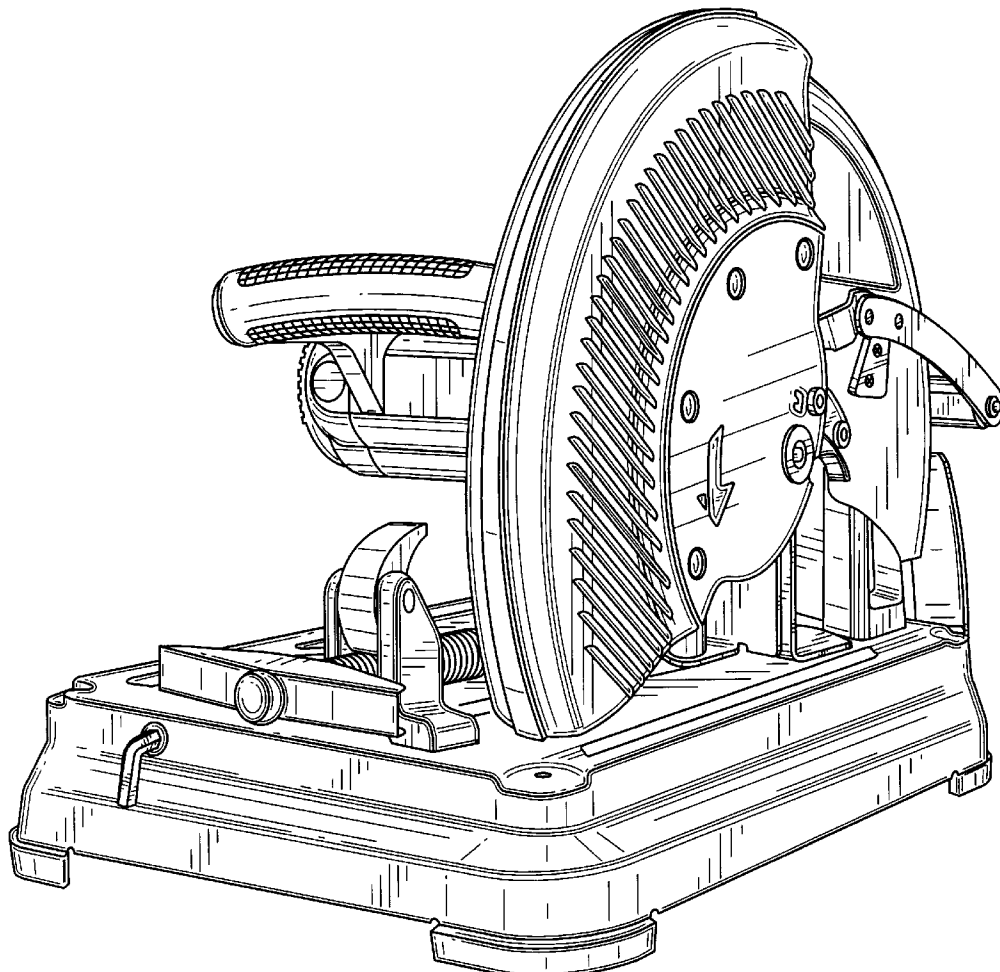
[57] CLAIM

The ornamental design for a chop saw, as shown and described.

DESCRIPTION

FIG. 1 is a perspective view of a chop saw, according to my new design;
FIG. 2 is a right elevational view of the chop saw;
FIG. 3 is a left elevational view of the chop saw;
FIG. 4 is a front elevational view of the chop saw;
FIG. 5 is a rear elevation view of the chop saw;
FIG. 6 is a top plan view of the chop saw; and,
FIG. 7 is a bottom plan view of the chop saw.

1 Claim, 7 Drawing Sheets



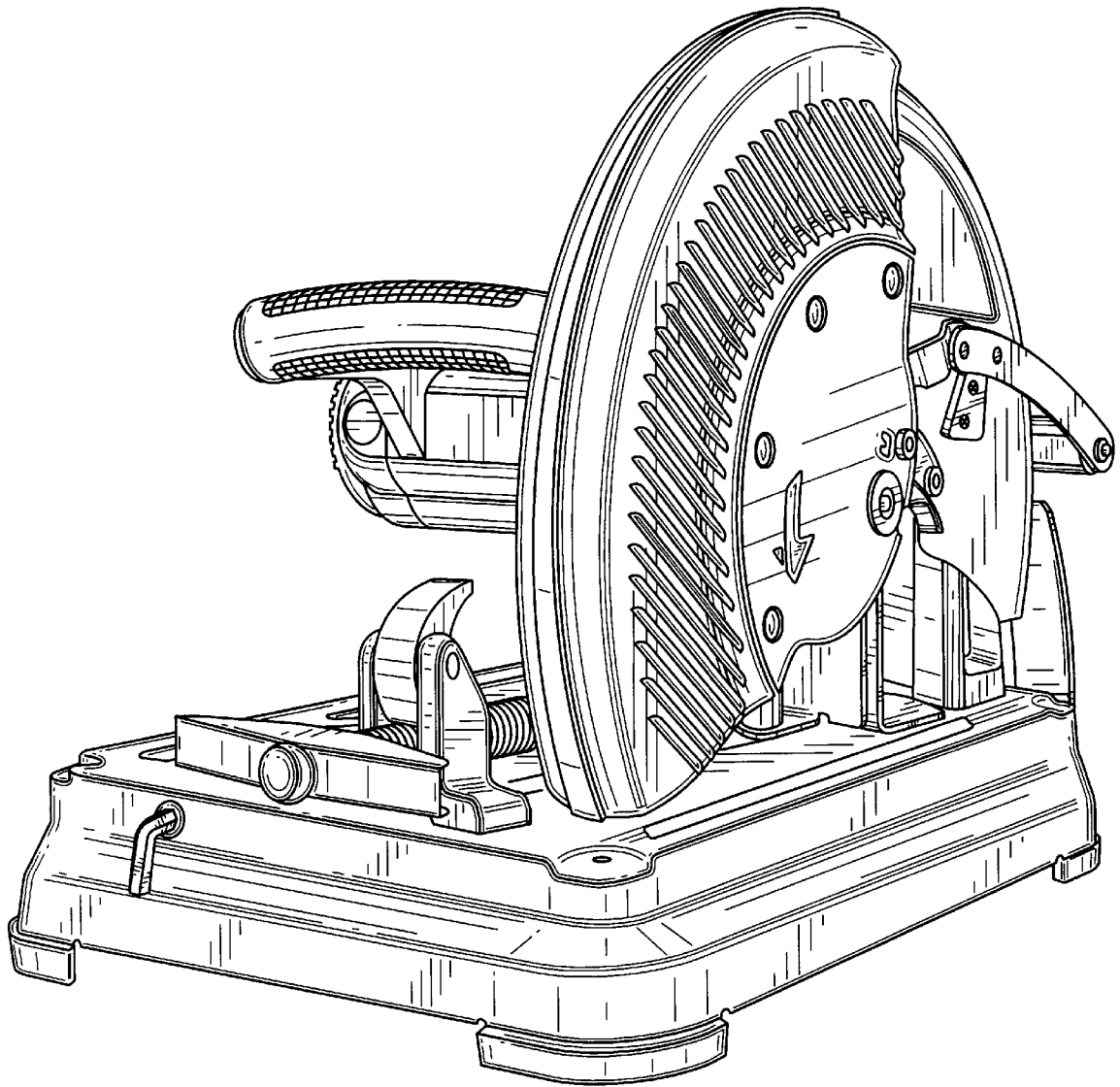


FIG. 1

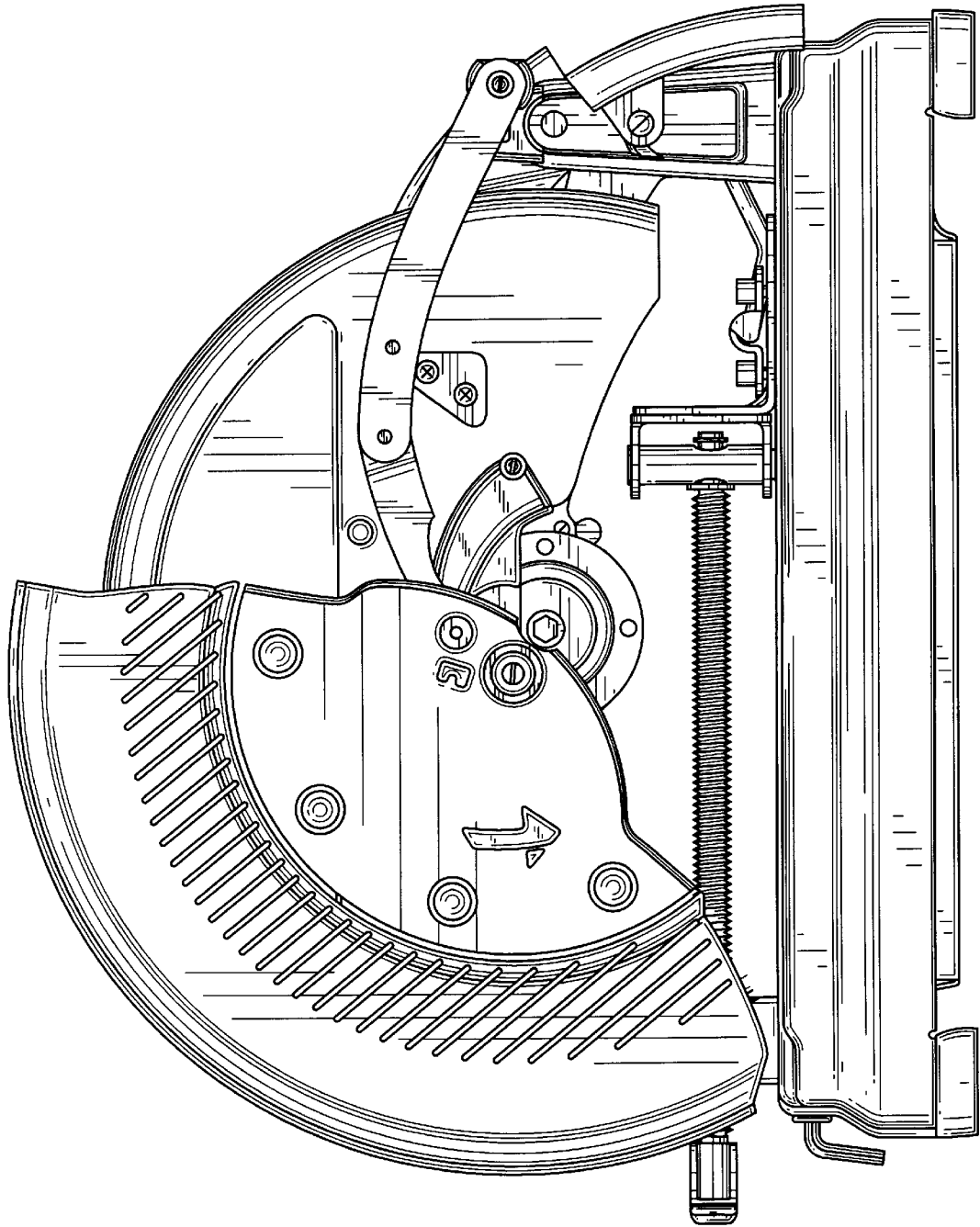


FIG. 2

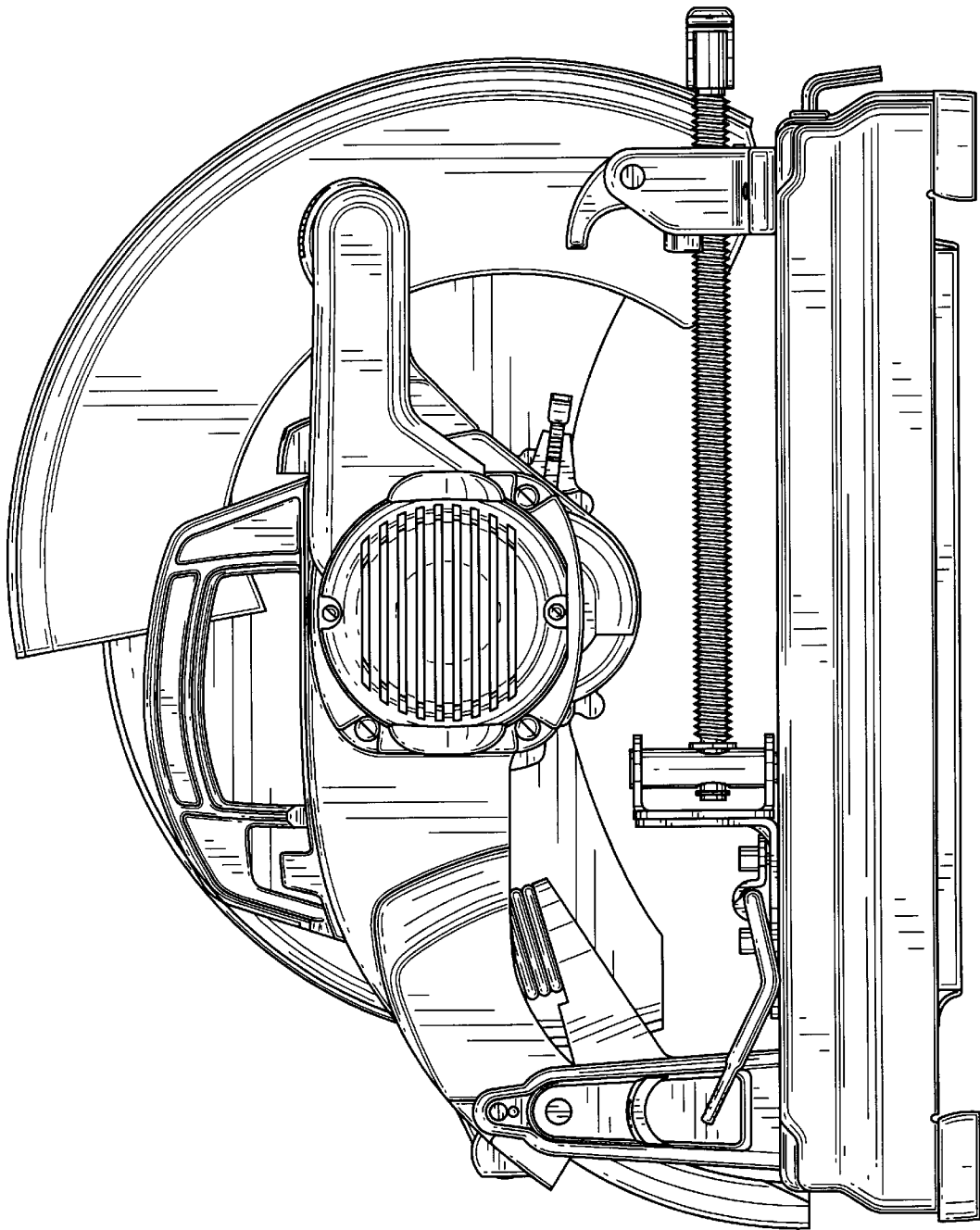


FIG. 3

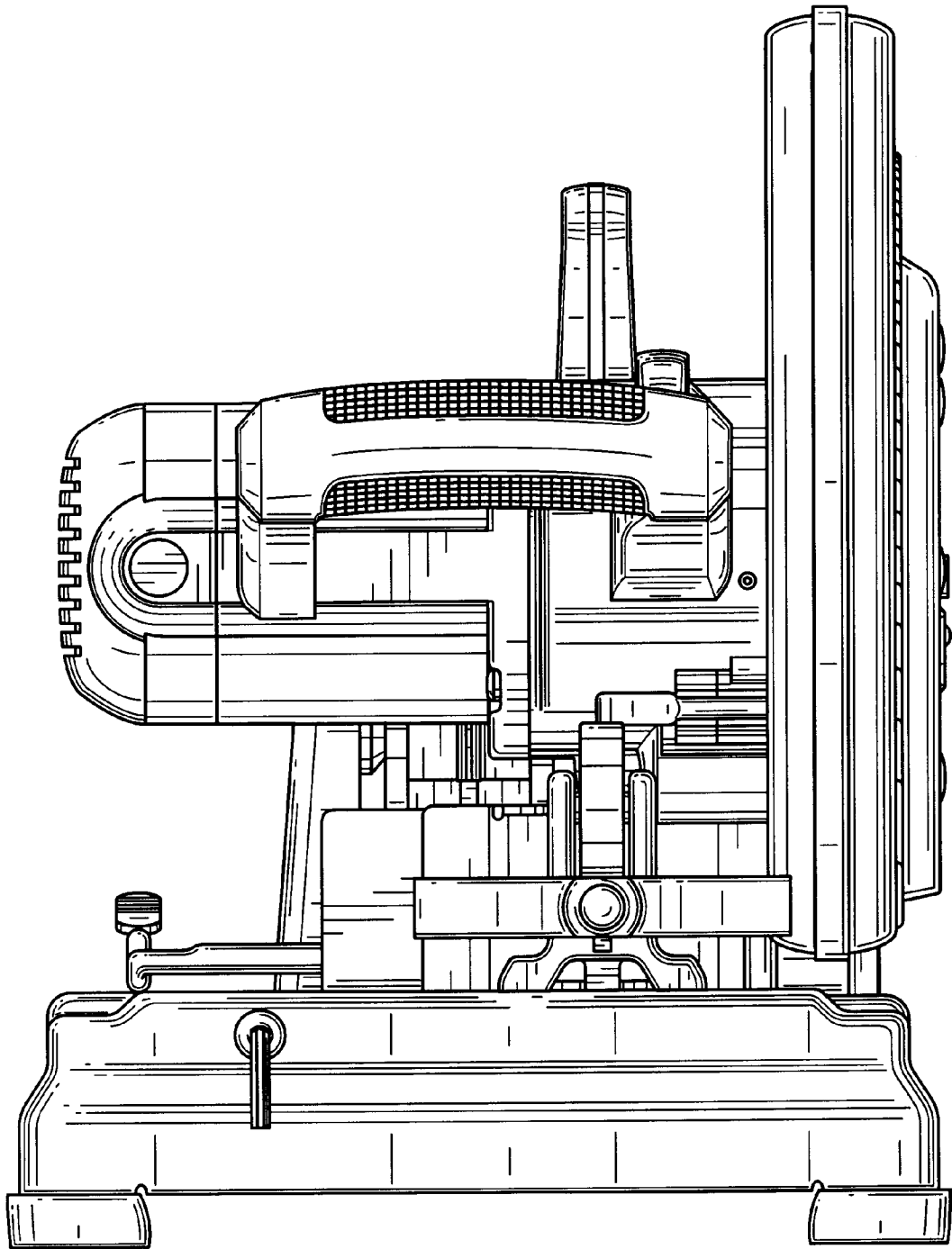


FIG. 4

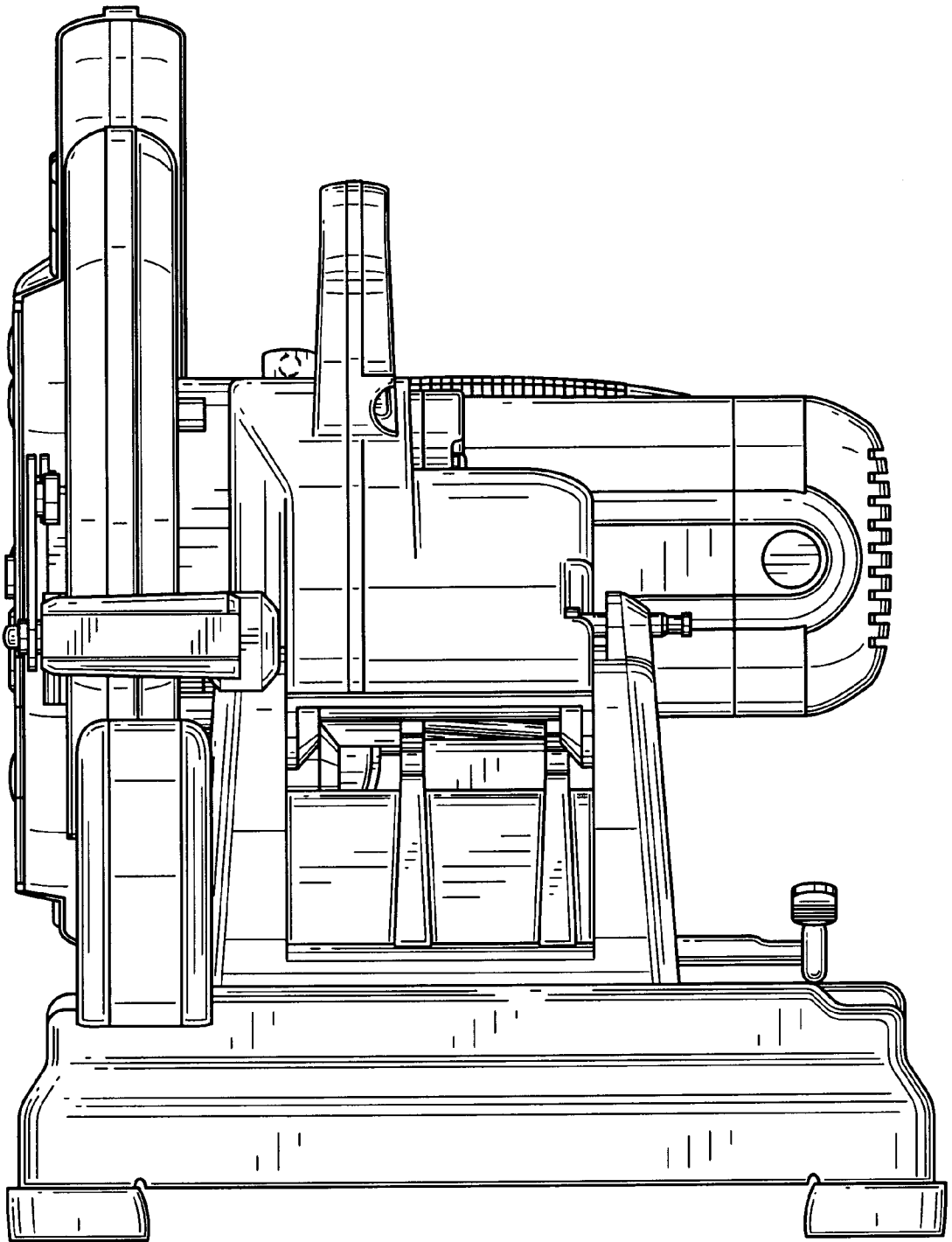


FIG. 5

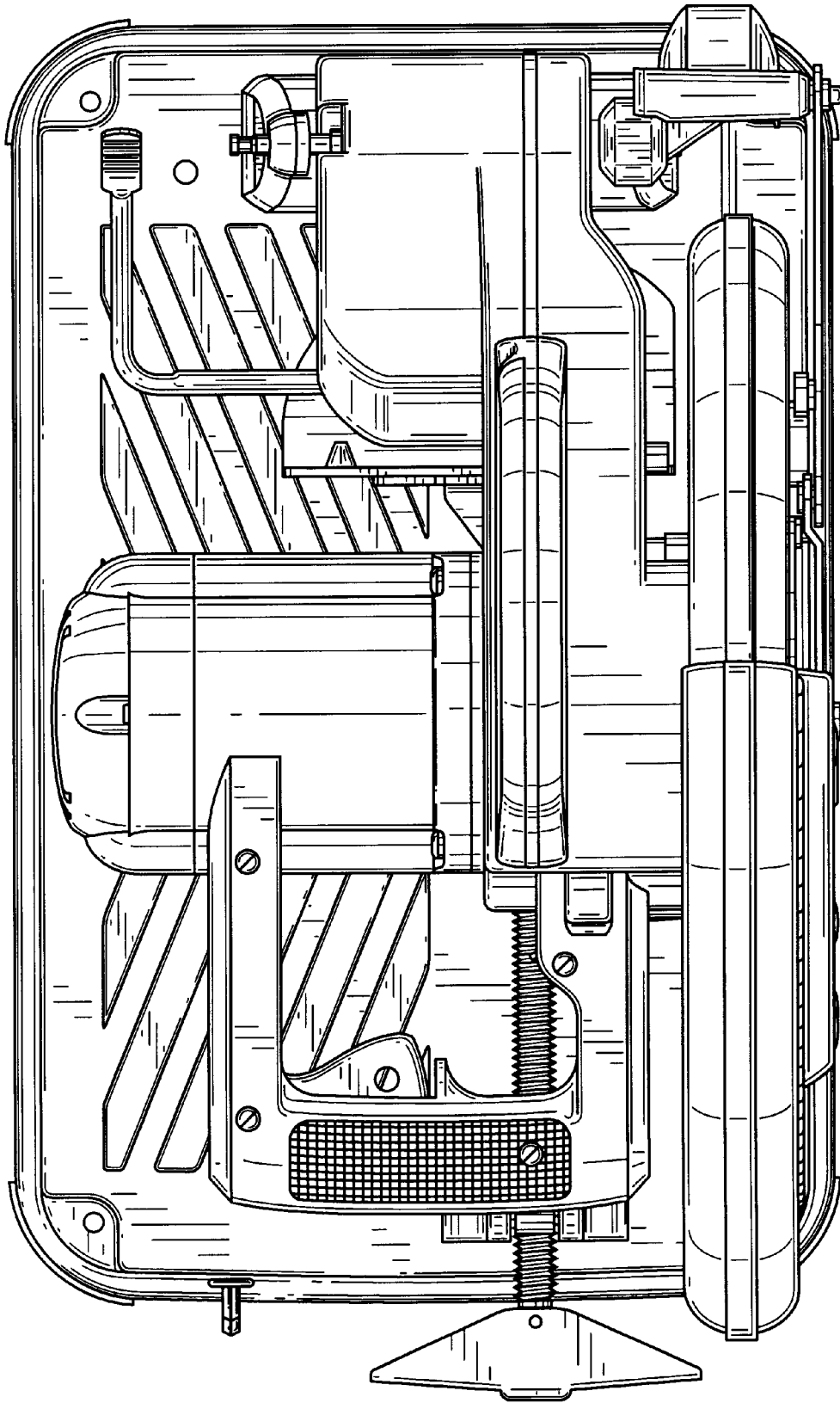


FIG. 6

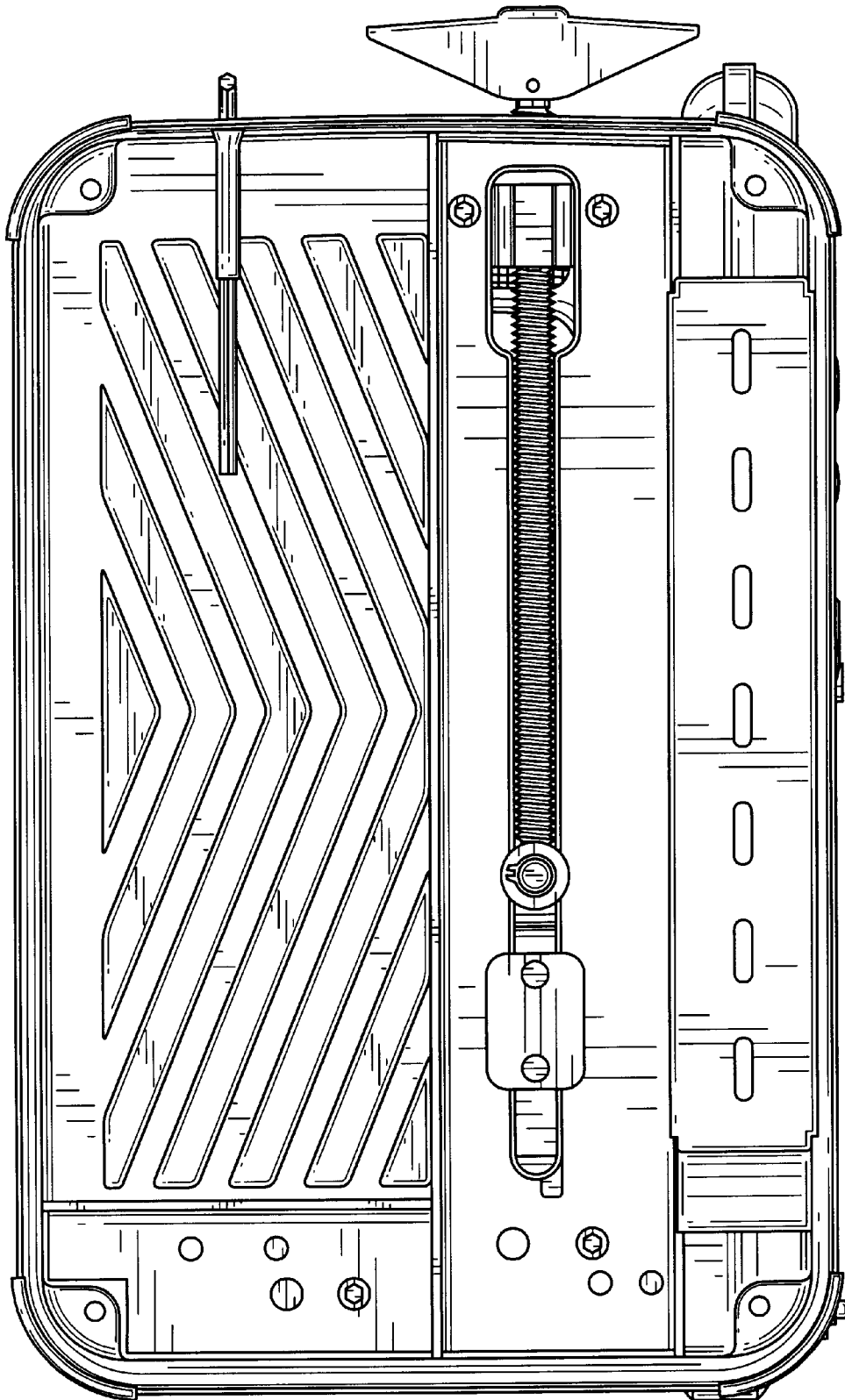


FIG. 7