



US00D937635S

(12) **United States Design Patent**  
**Boudreau et al.**

(10) **Patent No.:** **US D937,635 S**

(45) **Date of Patent:** **\*\* Dec. 7, 2021**

- (54) **INSET GRIP FOOD CONTAINER**
- (71) Applicant: **CAMBRO MANUFACTURING COMPANY**, Huntington Beach, CA (US)
- (72) Inventors: **Cory R. Boudreau**, Lake Mills, WI (US); **Jeffrey Staszak**, Deerfield, WI (US)
- (73) Assignee: **CAMBRO MANUFACTURING COMPANY**, Huntington Beach, CA (US)

D772,059 S *	11/2016	Urushidani	.....	D9/432
D793,817 S *	8/2017	Chen	.....	D7/602
D813,664 S *	3/2018	Magana	.....	D9/425
D821,822 S *	7/2018	Brown	.....	D7/602
D835,470 S *	12/2018	Seiders	.....	D7/605
D835,472 S *	12/2018	Seiders	.....	D7/605

(Continued)

**FOREIGN PATENT DOCUMENTS**

EM	008390397-0001	*	1/2020
PH	3-2007-107-0001	*	5/2007

**OTHER PUBLICATIONS**

Square Food Storage Container, Excellent, amazon.com, published by Excellent on Jun. 10, 2010 © 1996-2021 Amazon.com, Inc., online, site visited Aug. 30, 2021. Available at URL: <https://www.amazon.com/Excellante-2-Quart-Polycarbonate-Storage-Containers/dp/B003QMLV9S?th=1> (Year: 2010).\*

(Continued)

*Primary Examiner* — Holly E Thurman  
*Assistant Examiner* — Altaira J Swangin  
(74) *Attorney, Agent, or Firm* — George Bethel

(57) **CLAIM**

We claim the ornamental design for an inset grip food container, as shown and described.

**DESCRIPTION**

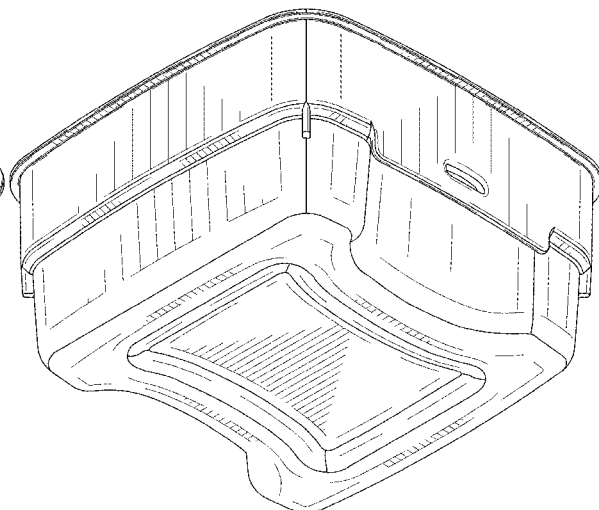
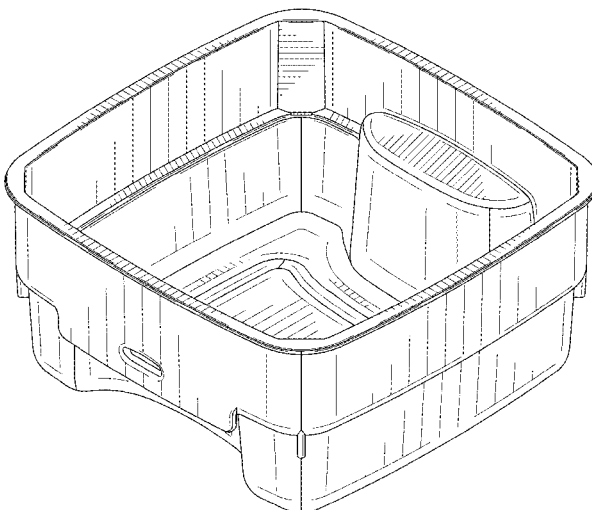
FIG. 1 is a top front perspective view of the inset grip food container;  
FIG. 2 shows a left side elevation view thereof.  
FIG. 3 shows a top plan view thereof.  
FIG. 4 shows a front elevation view thereof.  
FIG. 5 shows a rear elevation view thereof.  
FIG. 6 shows a right side elevation view thereof.  
FIG. 7 shows a bottom plan view thereof; and,  
FIG. 8 is a back bottom perspective view.

**1 Claim, 5 Drawing Sheets**

- (\*\*) Term: **15 Years**
- (21) Appl. No.: **29/652,283**
- (22) Filed: **Jul. 9, 2020**
- (51) **LOC (13) Cl.** ..... **07-07**
- (52) **U.S. Cl.**  
USPC ..... **D7/602**
- (58) **Field of Classification Search**  
USPC ..... D7/601-603, 605, 759-761;  
D9/414-416, 424-425, 430-432;  
D3/304, 309, 312  
CPC ..... B65D 1/26; B65D 1/40; B65D 81/34  
See application file for complete search history.

(56) **References Cited**  
**U.S. PATENT DOCUMENTS**

D279,251 S *	6/1985	Daenen	.....	D7/614
D279,252 S *	6/1985	Daenen	.....	D7/602
D357,120 S *	4/1995	Miller	.....	D3/312
D363,647 S *	10/1995	Rivlin	.....	D21/484
D387,558 S *	12/1997	Mann	.....	D3/307
D398,151 S *	9/1998	Ahern, Jr.	.....	D3/304
D604,921 S *	11/2009	Presnell	.....	D3/312
D646,969 S *	10/2011	Snedden	.....	D9/431
D672,614 S *	12/2012	Stamper	.....	D7/602
D672,616 S *	12/2012	Stamper	.....	D7/602
D673,009 S *	12/2012	Stamper	.....	D7/602
D707,495 S *	6/2014	Shirley	.....	D7/602



(56)

**References Cited**

U.S. PATENT DOCUMENTS

D887,789 S \* 6/2020 Seiders ..... D7/605  
D901,991 S \* 11/2020 Liu ..... D7/629  
D912,473 S \* 3/2021 Fager ..... D7/602

OTHER PUBLICATIONS

Square Food Storage Container, Décor Rack, amazon.com, published by Décor Rack on Aug. 14, 2018 © 1996-2021 Amazon.com, Inc., online, site visited Aug. 30, 2021. Available at URL: <https://www.amazon.com/DecorRack-Containers-Multiuse-Leftover-Container/dp/B07FYSJGMX?th=1> (Year: 2018).\*

\* cited by examiner

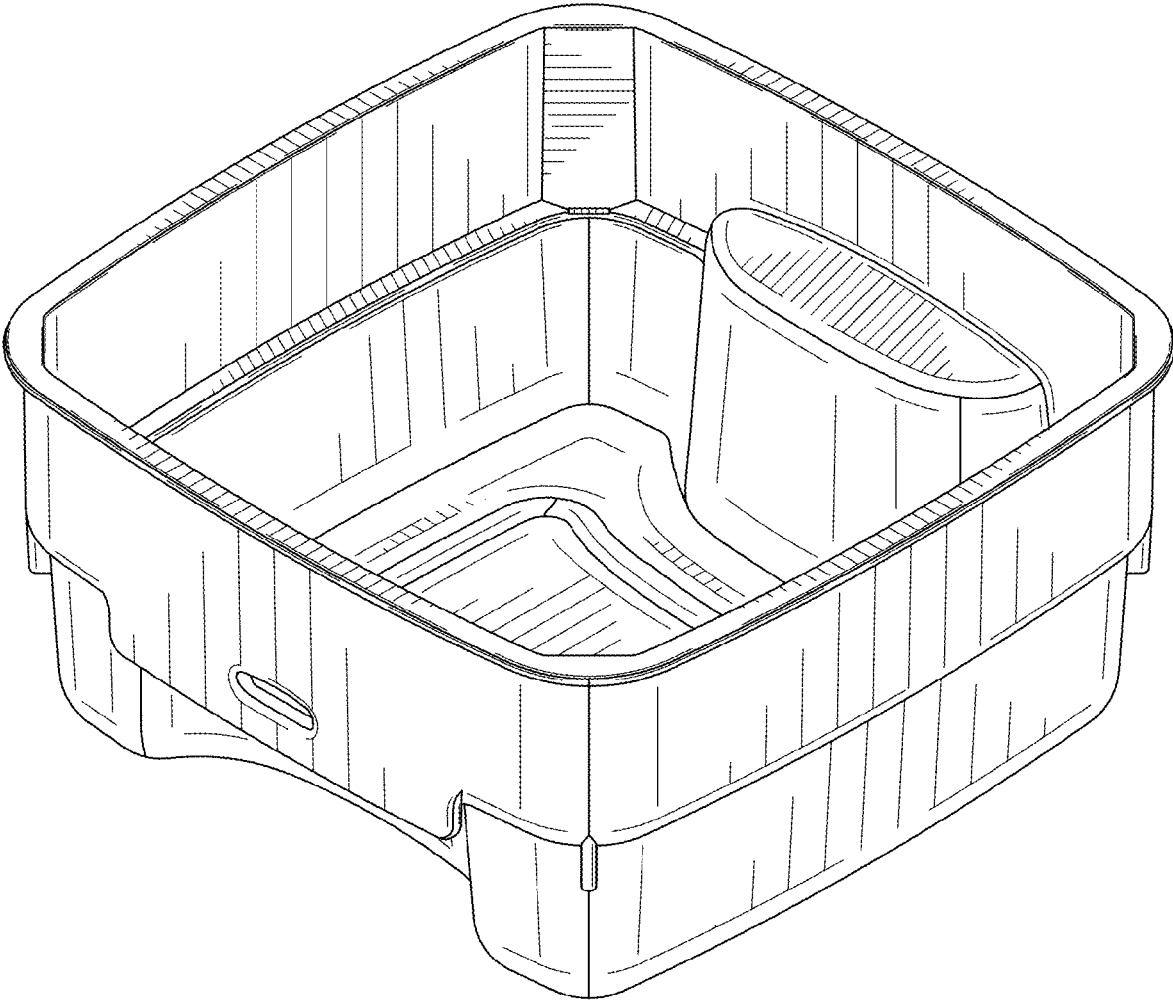


FIG. 1

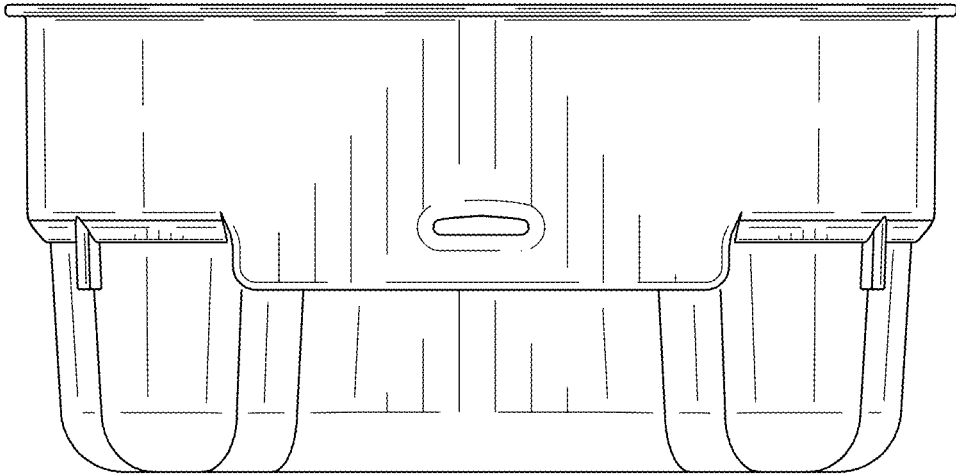


FIG. 2

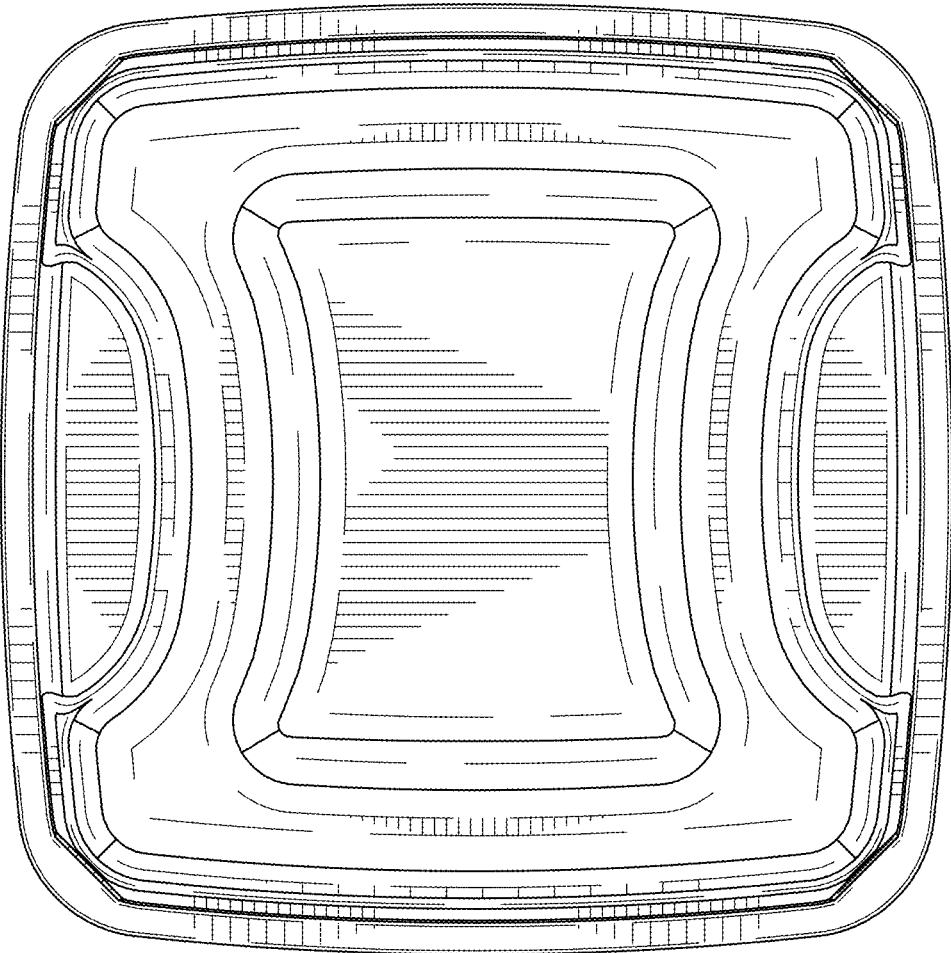


FIG. 3

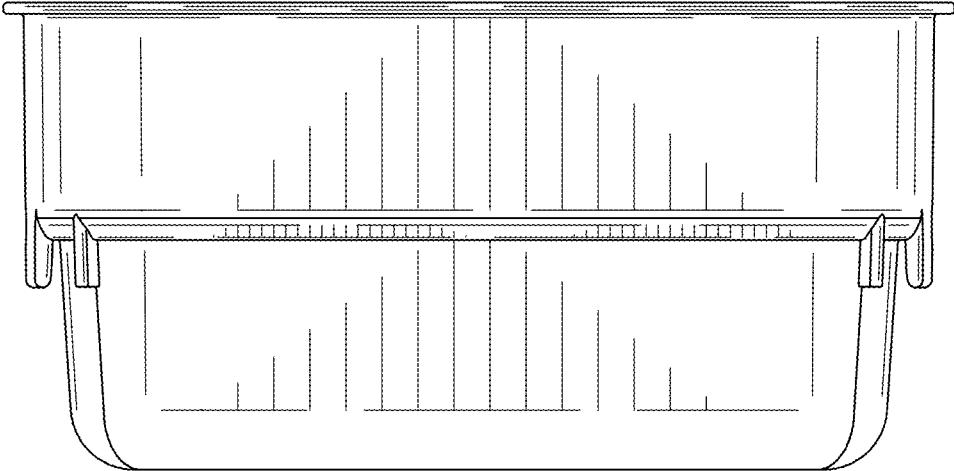


FIG. 4

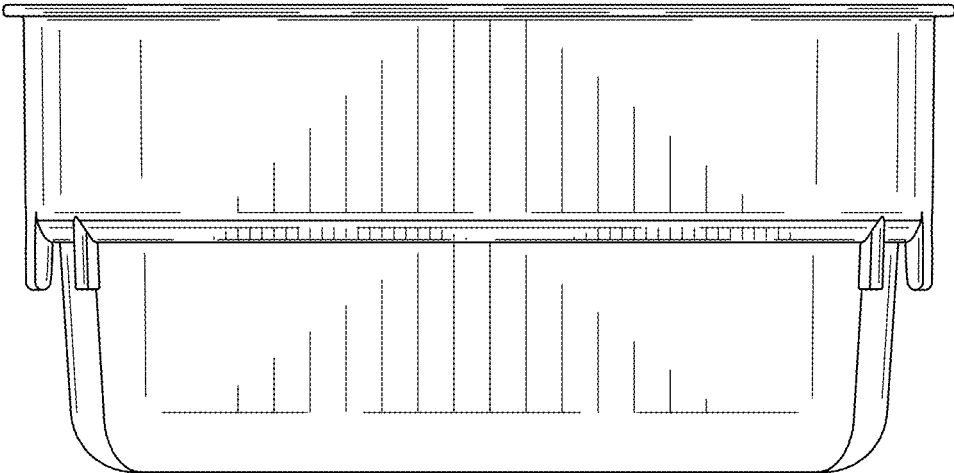


FIG. 5

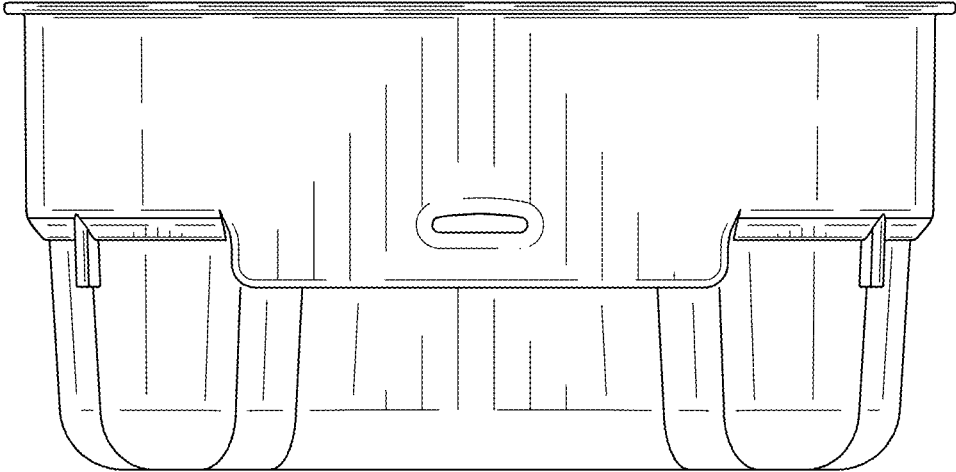


FIG. 6

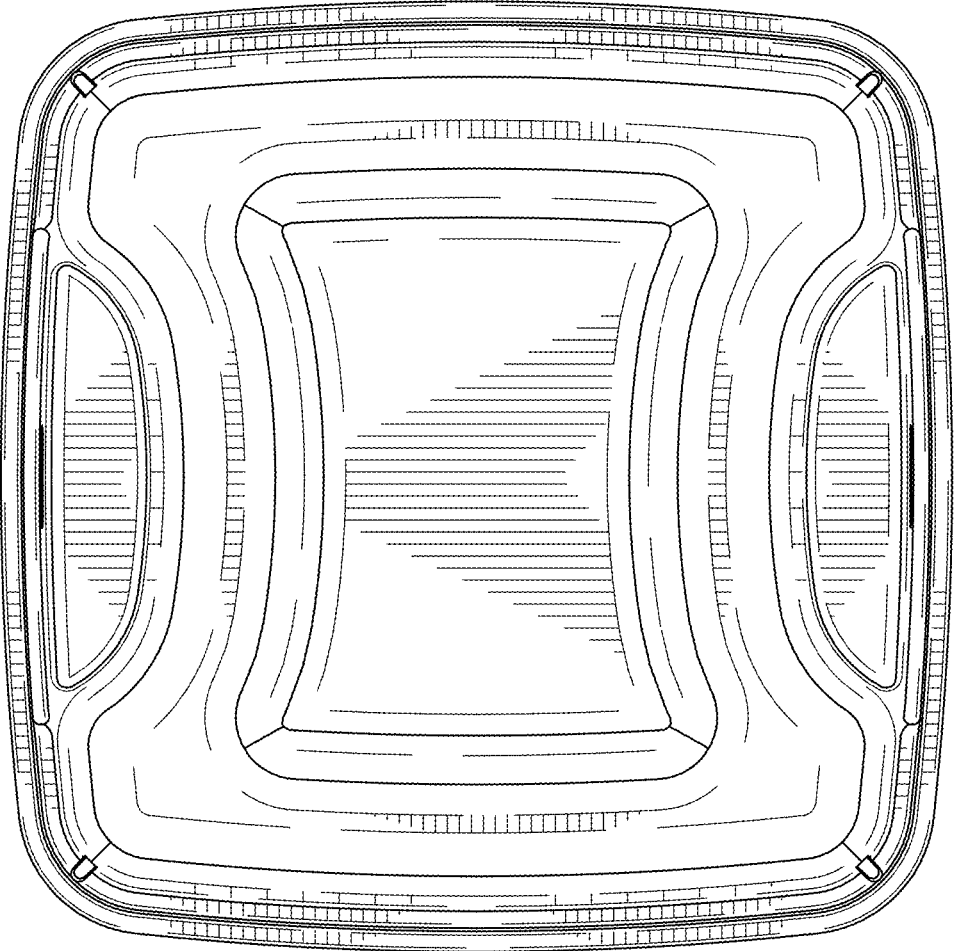


FIG. 7

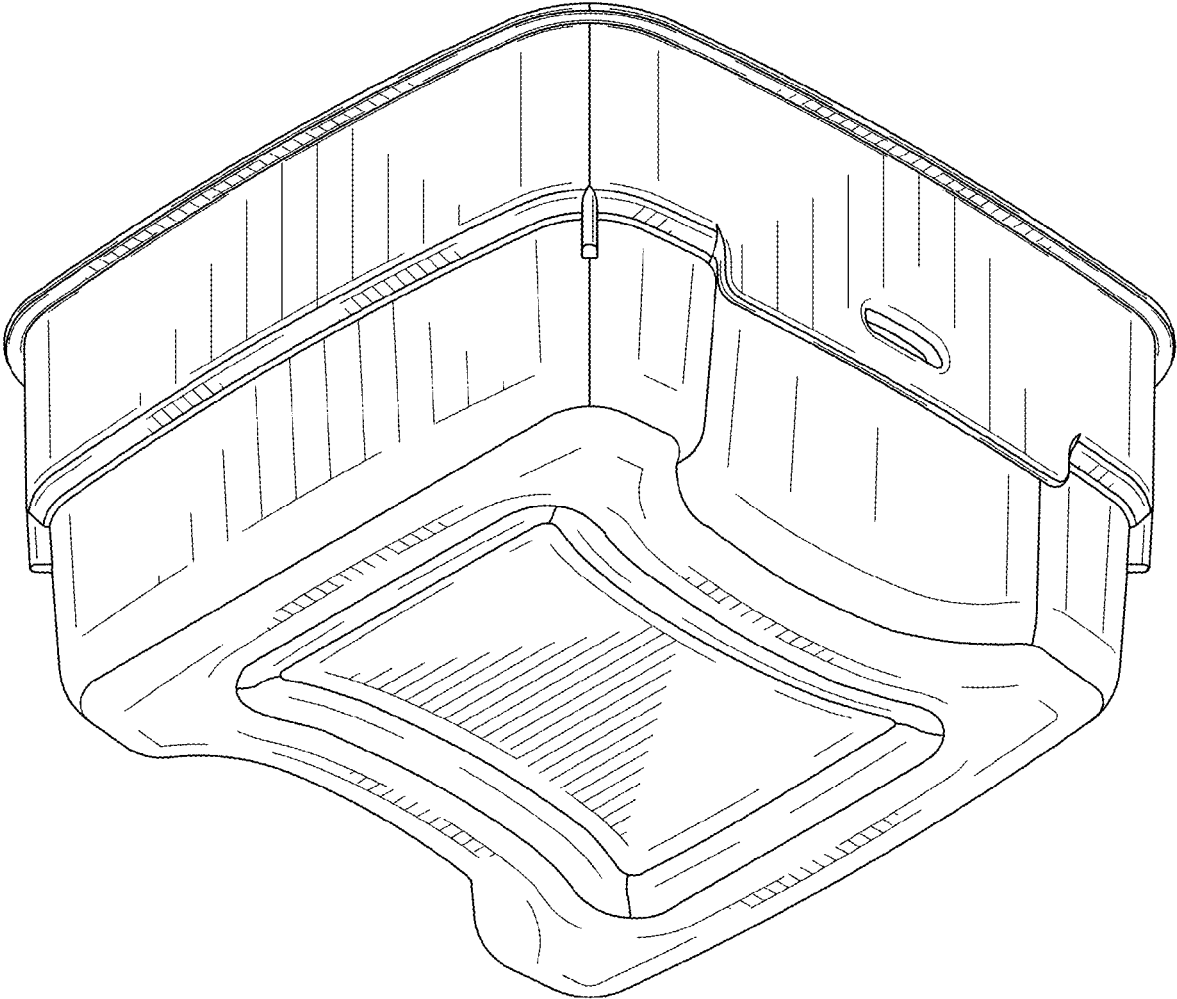


FIG. 8