



(12) **United States Design Patent**
Julemont

(10) **Patent No.:** **US D913,590 S**
(45) **Date of Patent:** **** Mar. 16, 2021**

- (54) **HAIRSTYLING APPARATUS**
- (71) Applicant: **BABYLISS FACO SPRL**, Wandre (BE)
- (72) Inventor: **Pierre Julemont**, Soumagne (BE)
- (73) Assignee: **BABYLISS FACO SPRL**, Wandre (BE)

D570,042 S *	5/2008	Leung	D28/35
D682,468 S *	5/2013	Kim	D28/35
D696,456 S *	12/2013	Julemont	D28/35
D717,000 S *	11/2014	Julemont	D28/35
D727,568 S *	4/2015	Francois	D28/10
D754,396 S *	4/2016	Keong	D28/35
D759,306 S *	6/2016	Delassus	D28/35
D783,897 S *	4/2017	Kong	D28/35
D785,866 S *	5/2017	French-Jackson	D28/35
D803,479 S *	11/2017	Collier	D28/13

(**) Term: **15 Years**

FOREIGN PATENT DOCUMENTS

(21) Appl. No.: **35/506,578**

CN	201330421939	*	9/2013	
DE	102014221924 B3	*	1/2016 A45D 6/02
EP	3100633 A1	*	12/2016 A45D 2/02

(22) Filed: **Nov. 20, 2018**

* cited by examiner

(80) **Hague Agreement Data**

Int. Filing Date: **Nov. 20, 2018**
 Int. Reg. No.: **DM/200516**
 Int. Reg. Date: **Nov. 20, 2018**
 Int. Reg. Pub. Date: **Apr. 12, 2019**

Primary Examiner — George D. Kirschbaum
Assistant Examiner — Samantha N Wood

(30) **Foreign Application Priority Data**

May 23, 2018 (EM) 005279064-0001

(51) **LOC (13) Cl.** **28-03**

(52) **U.S. Cl.**
USPC **D28/35**

(58) **Field of Classification Search**
 USPC D28/10, 11, 35, 23, 25, 36, 37, 38, 54.1, D28/99
 CPC . A45D 2/12; A45D 2/122; A45D 2/14; A45D 2/36; A45D 2/362; A45D 2/365; A45D 2/367; A45D 2/001; A45D 2/002; A45D 2/06

See application file for complete search history.

(56) **References Cited**

U.S. PATENT DOCUMENTS

D507,849 S *	7/2005	Lee	D28/10
D535,746 S *	1/2007	Grove	D24/144

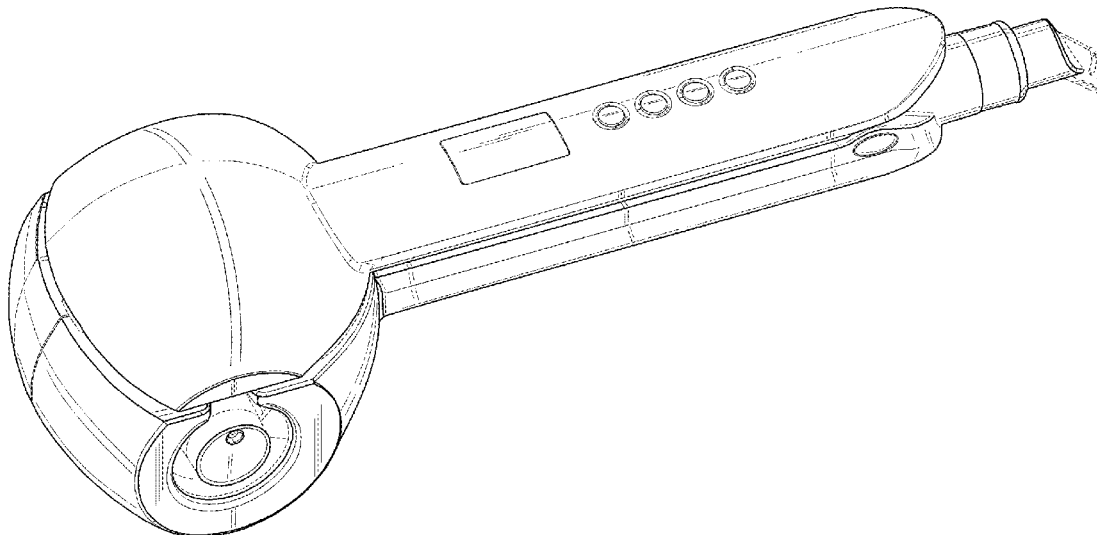
(57) **CLAIM**

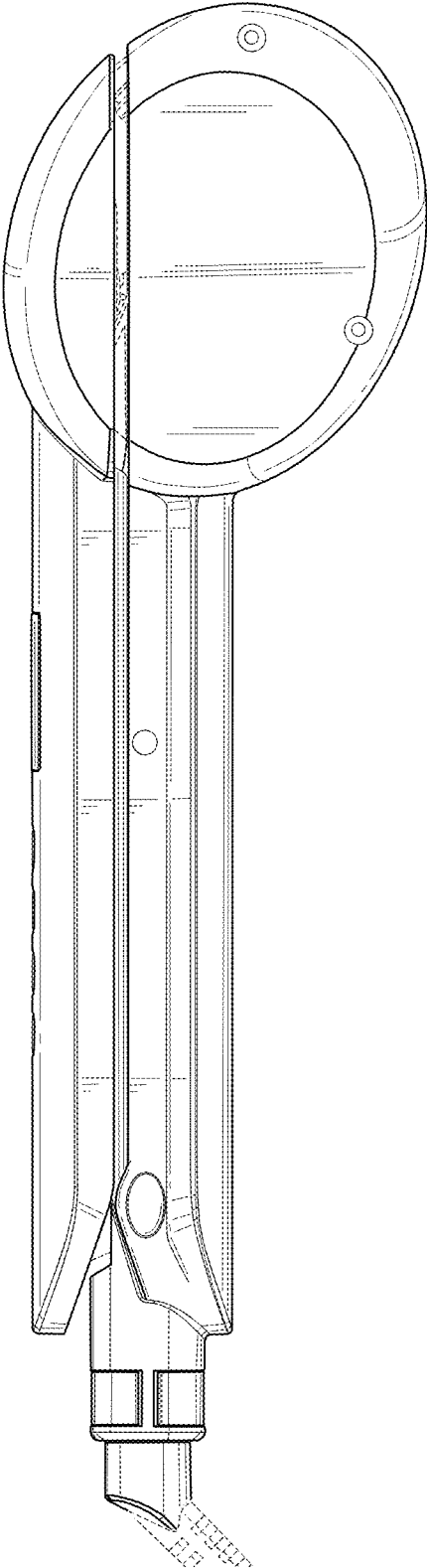
The ornamental design for a hair styling apparatus, as shown and described.

DESCRIPTION

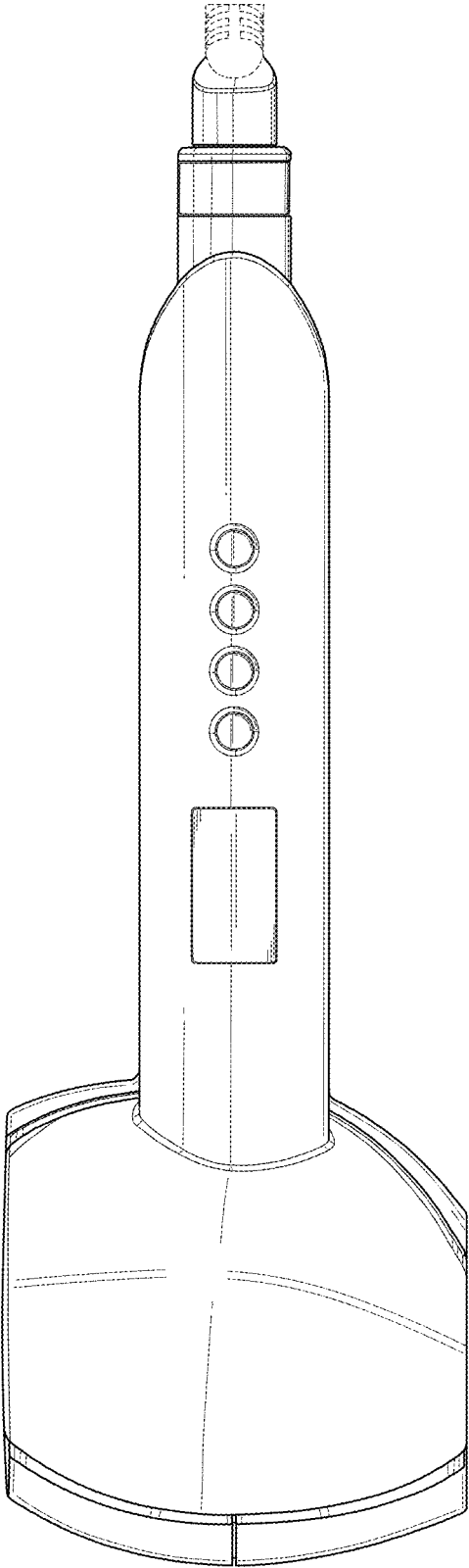
FIG. 1.1 is a left side view of a hair styling apparatus showing our new design;
 FIG. 1.2 is a top plan view thereof;
 FIG. 1.3 is a bottom view thereof;
 FIG. 1.4 is a front elevational view thereof;
 FIG. 1.5 is a rear elevational view thereof;
 FIG. 1.6 is a right side elevational view thereof; and
 FIG. 1.7 is a top, right side perspective view thereof.
 In the drawings, the portions of the article shown in broken lines do not form any part of the claimed design.

1 Claim, 7 Drawing Sheets

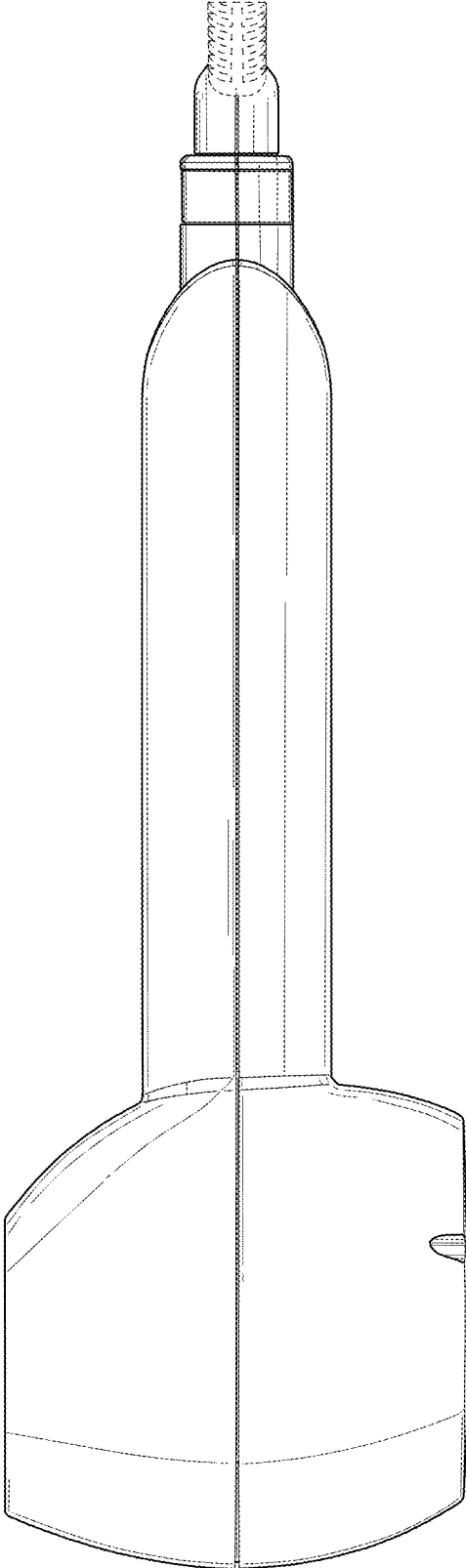




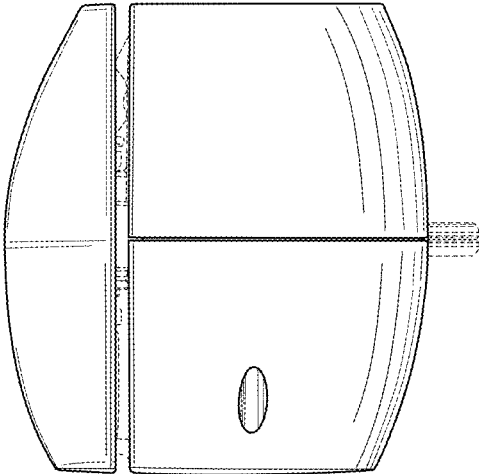
1.1



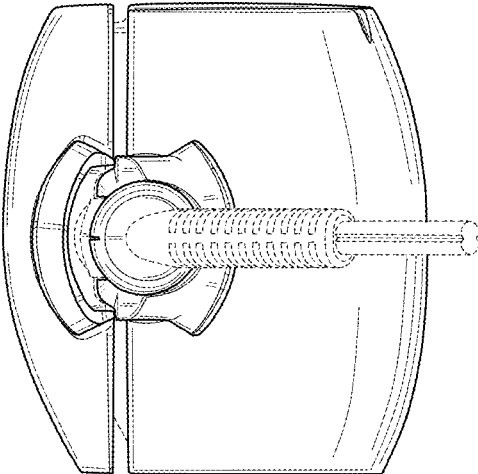
1.2



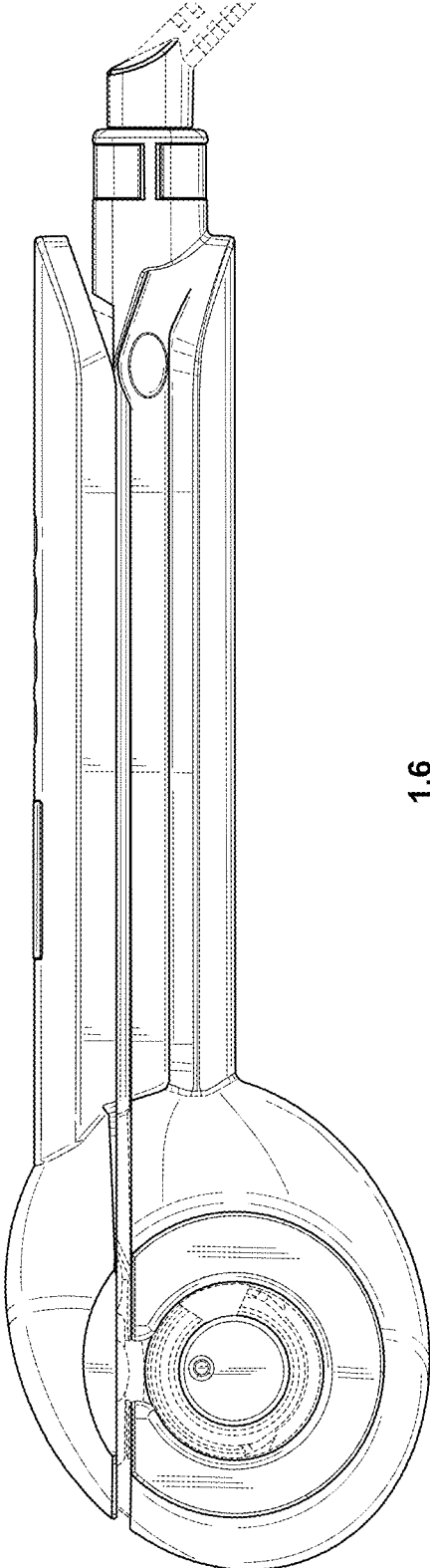
1.3



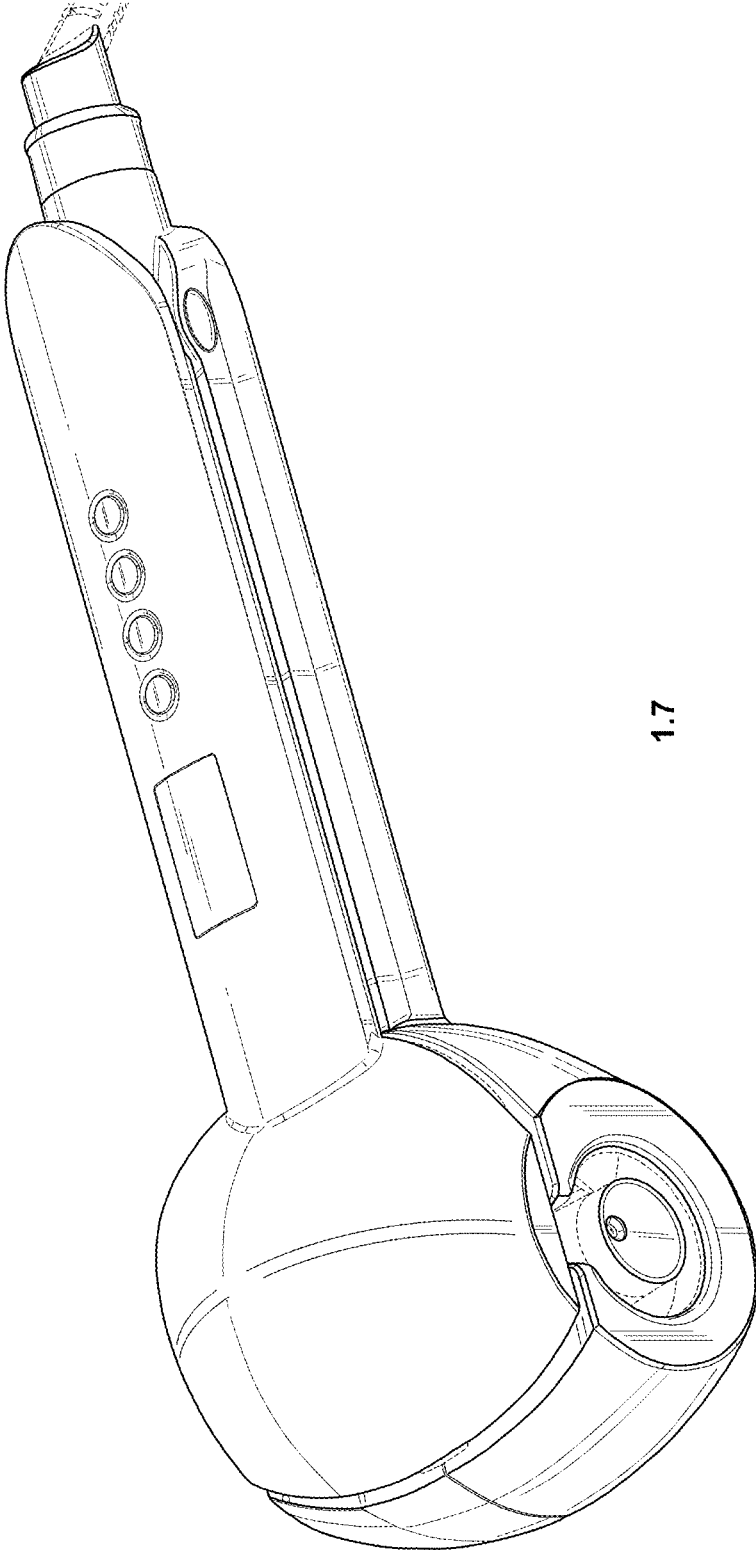
1.4



1.5



1.6



1.7