

(19) World Intellectual Property Organization
International Bureau



(43) International Publication Date
23 August 2007 (23.08.2007)

PCT

(10) International Publication Number
WO 2007/094898 A3

- (51) International Patent Classification:
A61M 5/178 (2006.01)
- (21) International Application Number:
PCT/US2007/000251
- (22) International Filing Date: 5 January 2007 (05.01.2007)
- (25) Filing Language: English
- (26) Publication Language: English
- (30) Priority Data:
11/355,095 14 February 2006 (14.02.2006) US
- (71) Applicant (for all designated States except US): **B. BRAUN MEDICAL INC.** [US/US]; 824 Twelfth Avenue, Bethlehem, PA 18018-0027 (US).

AT, AU, AZ, BA, BB, BG, BR, BW, BY, BZ, CA, CH, CN, CO, CR, CU, CZ, DE, DK, DM, DZ, EC, EE, EG, ES, FI, GB, GD, GE, GH, GM, GT, HN, HR, HU, ID, IL, IN, IS, JP, KE, KG, KM, KN, KP, KR, KZ, LA, LC, LK, LR, LS, LT, LU, LV, LY, MA, MD, MG, MK, MN, MW, MX, MY, MZ, NA, NG, NI, NO, NZ, OM, PG, PH, PL, PT, RO, RS, RU, SC, SD, SE, SG, SK, SL, SM, SV, SY, TJ, TM, TN, TR, TT, TZ, UA, UG, US, UZ, VC, VN, ZA, ZM, ZW.

(84) Designated States (unless otherwise indicated, for every kind of regional protection available): ARIPO (BW, GH, GM, KE, LS, MW, MZ, NA, SD, SL, SZ, TZ, UG, ZM, ZW), Eurasian (AM, AZ, BY, KG, KZ, MD, RU, TJ, TM), European (AT, BE, BG, CH, CY, CZ, DE, DK, EE, ES, FI, FR, GB, GR, HU, IE, IS, IT, LT, LU, LV, MC, NL, PL, PT, RO, SE, SI, SK, TR), OAPI (BF, BJ, CF, CG, CI, CM, GA, GN, GQ, GW, ML, MR, NE, SN, TD, TG).

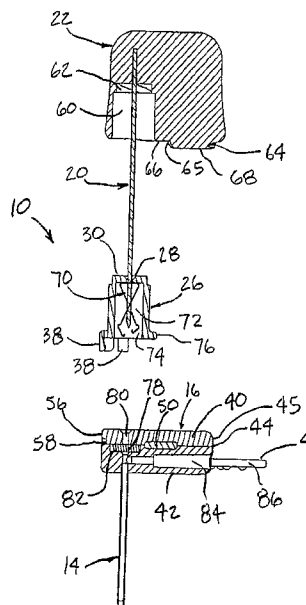
Published:
— with international search report
— before the expiration of the time limit for amending the claims and to be republished in the event of receipt of amendments

(88) Date of publication of the international search report:
29 November 2007

For two-letter codes and other abbreviations, refer to the "Guidance Notes on Codes and Abbreviations" appearing at the beginning of each regular issue of the PCT Gazette.

- (72) Inventor; and
- (75) Inventor/Applicant (for US only): **MOYER, Robert** [US/US]; 4275 Primrose Lane, Walnutport, PA 18088 (US).
- (74) Agent: **DAO, Tom, H.**; Christie Parker & Hale, LLP, Post Office Box 7068, Pasadena, California 91109-7068 (US).
- (81) Designated States (unless otherwise indicated, for every kind of national protection available): AE, AG, AL, AM,

(54) Title: PORT ACCESS DEVICE



(57) Abstract: A venous access device is generally discussed herein with particular discussions extended to port access device having a protective clip. The port access device includes a needle hub having a needle extending therefrom and a catheter hub having a catheter tube extending therefrom with the needle positioned inside the tube in a ready to use position. A tip protector is positioned inside a clip housing, which is positioned in between the catheter

WO 2007/094898 A3

INTERNATIONAL SEARCH REPORT

International application No.
PCT/US07/00251

A. CLASSIFICATION OF SUBJECT MATTER

IPC(8) - A61M 5/32 (2007.01)

USPC - 604/93.01,192

According to International Patent Classification (IPC) or to both national classification and IPC

B. FIELDS SEARCHED

Minimum documentation searched (classification system followed by classification symbols)

IPC(8) - A61M 5/32 (2007.01)

USPC - 604/93.01,192

Documentation searched other than minimum documentation to the extent that such documents are included in the fields searched

Electronic data base consulted during the international search (name of data base and, where practicable, search terms used)

USPTO EAST System (US, USPG-PUB, EPO, DERWENT), MicroPatent.

C. DOCUMENTS CONSIDERED TO BE RELEVANT

Category*	Citation of document, with indication, where appropriate, of the relevant passages	Relevant to claim No.
X -- Y	US 2005/0267441 A1 (DOUGLAS) 01 December 2005 (01.12.2005) entire document	1, 10 ----- 2-9, 23
Y	US 2004/0162518 A1 (CONNELLY et al) 19 August 2004 (19.08.2004) entire document	2-9, 11-16, 21-22, 24
X -- Y	US 2002/0095138 A1 (LYNCH et al) 18 July 2002 (18.07.2002) entire document	17-20 ----- 11-16, 21-22, 24-25
Y	US 2003/0158520 A1 (SAFABASH et al) 21 August 2003 (21.08.2003) entire document	23-25

Further documents are listed in the continuation of Box C.

* Special categories of cited documents:

"A" document defining the general state of the art which is not considered to be of particular relevance

"E" earlier application or patent but published on or after the international filing date

"L" document which may throw doubts on priority claim(s) or which is cited to establish the publication date of another citation or other special reason (as specified)

"O" document referring to an oral disclosure, use, exhibition or other means

"P" document published prior to the international filing date but later than the priority date claimed

"T" later document published after the international filing date or priority date and not in conflict with the application but cited to understand the principle or theory underlying the invention

"X" document of particular relevance; the claimed invention cannot be considered novel or cannot be considered to involve an inventive step when the document is taken alone

"Y" document of particular relevance; the claimed invention cannot be considered to involve an inventive step when the document is combined with one or more other such documents, such combination being obvious to a person skilled in the art

"&" document member of the same patent family

Date of the actual completion of the international search

13 August 2007

Date of mailing of the international search report

01 OCT 2007

Name and mailing address of the ISA/US

Mail Stop PCT, Attn: ISA/US, Commissioner for Patents

P.O. Box 1450, Alexandria, Virginia 22313-1450

Facsimile No. 571-273-3201

Authorized officer:

Blaine R. Copenheaver

PCT Helpdesk: 571-272-4300
PCT OSP: 571-272-7774