



US00D803631S

(12) **United States Design Patent**
Min et al.

(10) **Patent No.:** **US D803,631 S**

(45) **Date of Patent:** **** Nov. 28, 2017**

(54) **CONTAINER FOR HEATING AND COOLING FOODS AND BEVERAGES**

D660,095 S * 5/2012 Kyung D7/629
D762,087 S * 7/2016 Cross D7/629
2004/0084464 A1* 5/2004 Koo B65D 43/0218
220/784

(71) Applicants: **Kristen Yoohee Min**, Wauconda, IL (US); **Jee Yeon Yoo Kim**, Barrington, IL (US)

(Continued)

Primary Examiner — Terry A Wallace

(74) *Attorney, Agent, or Firm* — Michael McGreal

(72) Inventors: **Kristen Yoohee Min**, Wauconda, IL (US); **Jee Yeon Yoo Kim**, Barrington, IL (US)

(57) **CLAIM**

The ornamental design for container for heating and cooling foods and beverages, shown and described.

(73) Assignee: **INNO BABY LLC**, Barrington, IL (US)

DESCRIPTION

(**) Term: **15 Years**

FIG. 1 is a front and rear elevation view of the container for heating and cooling foods and beverages of our design assembled.

(21) Appl. No.: **29/620,158**

FIG. 2 is a right and left side elevation view thereof.

(22) Filed: **Jul. 26, 2016**

FIG. 3 is a front exploded view thereof showing a closure, inner container and an outer container.

(51) **LOC (10) Cl.** **07-07**

FIG. 4 is a left side exploded view thereof showing a closure, inner container and an outer container.

(52) **U.S. Cl.**

FIG. 5 is a rear exploded view thereof showing a closure, inner container and an outer container.

USPC **D7/605**; D7/629

FIG. 6 is a left side exploded view thereof showing a closure, inner container and an outer container.

(58) **Field of Classification Search**

USPC D7/605–608, 629, 602, 538–542, 391, D7/392, 392.1

FIG. 7 is a top plan view of the closure.

CPC B65D 43/0218; B65D 45/20;

FIG. 8 is a bottom view of the closure.

B29C 45/0025; A45C 5/04; A45C 11/16; A45C 11/20

FIG. 9 is a top plan view of the inner container.

See application file for complete search history.

FIG. 10 is a bottom plan view of the inner container

(56) **References Cited**

U.S. PATENT DOCUMENTS

- 6,415,947 B1 * 7/2002 Kim B29C 45/0025
220/326
- D481,910 S * 11/2003 Kim D7/629
- 6,793,096 B1 * 9/2004 Seok B65D 43/0218
220/326
- D543,412 S * 5/2007 Munson D7/354
- D544,762 S * 6/2007 Zimmerman D7/601
- D568,102 S * 5/2008 Ruiz de Az a D7/316

FIG. 11 is a top plan view of the outer container.

FIG. 12 a bottom plan view of the outer container.

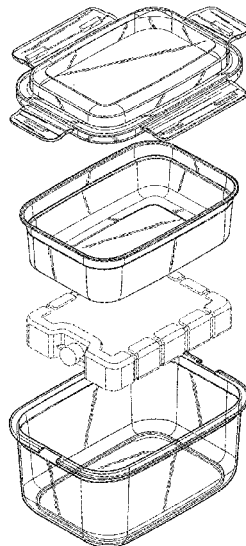
FIG. 13 is an exploded perspective view thereof; and,

FIG. 14 is an exploded perspective view thereof showing a heating/cooling unit in the outer container.

The broken line showing of the periphery of the heating/cooling unit is for illustrative purposes only to show environment and form no part of the claimed design. No specific color is claimed.

The inner and outer container and closure have been shown separately for clarity of illustration.

1 Claim, 10 Drawing Sheets



(56)

References Cited

U.S. PATENT DOCUMENTS

2005/0006390 A1* 1/2005 Wang B65D 45/30
220/326
2005/0035125 A1* 2/2005 Bae B65D 43/0218
220/326

* cited by examiner

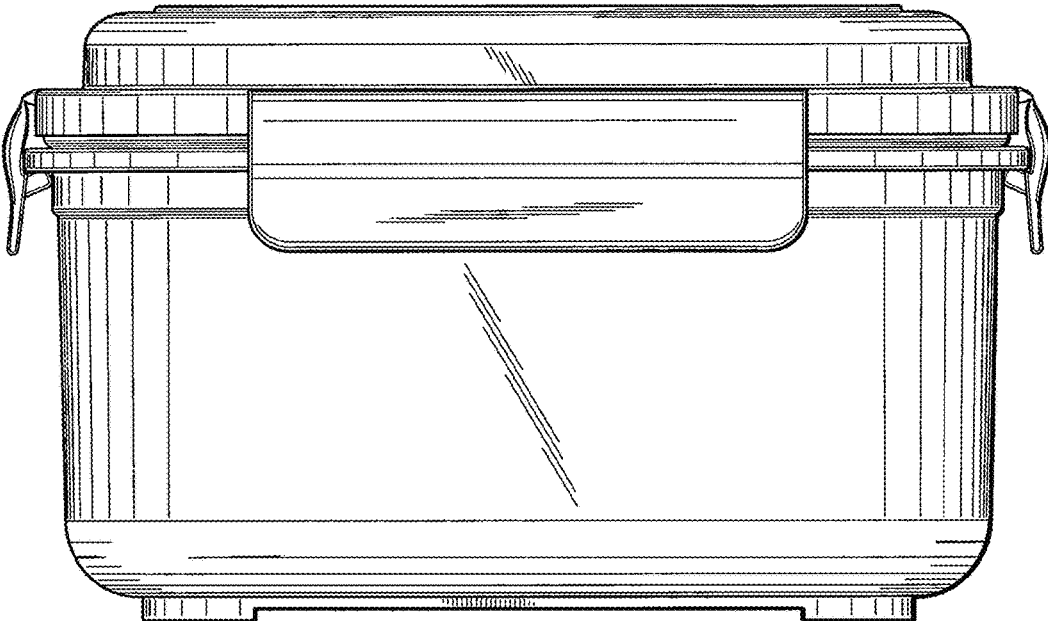


FIG. 1

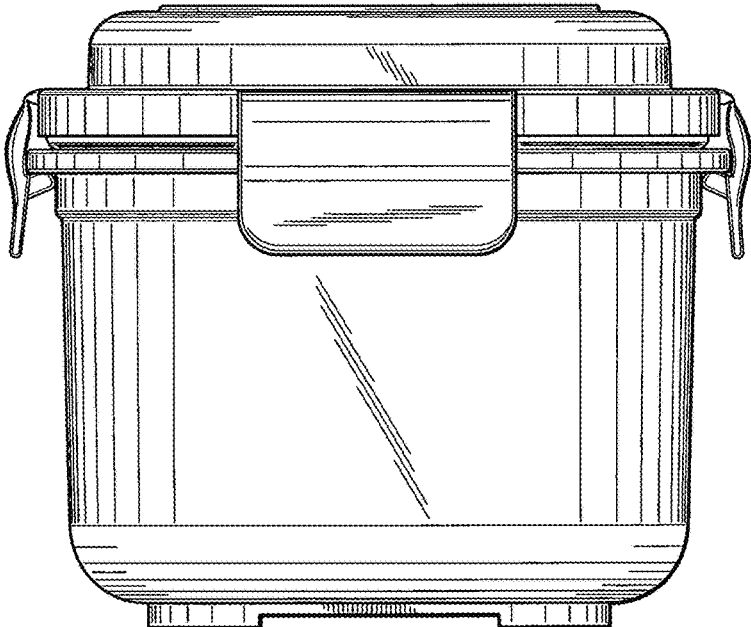


FIG. 2

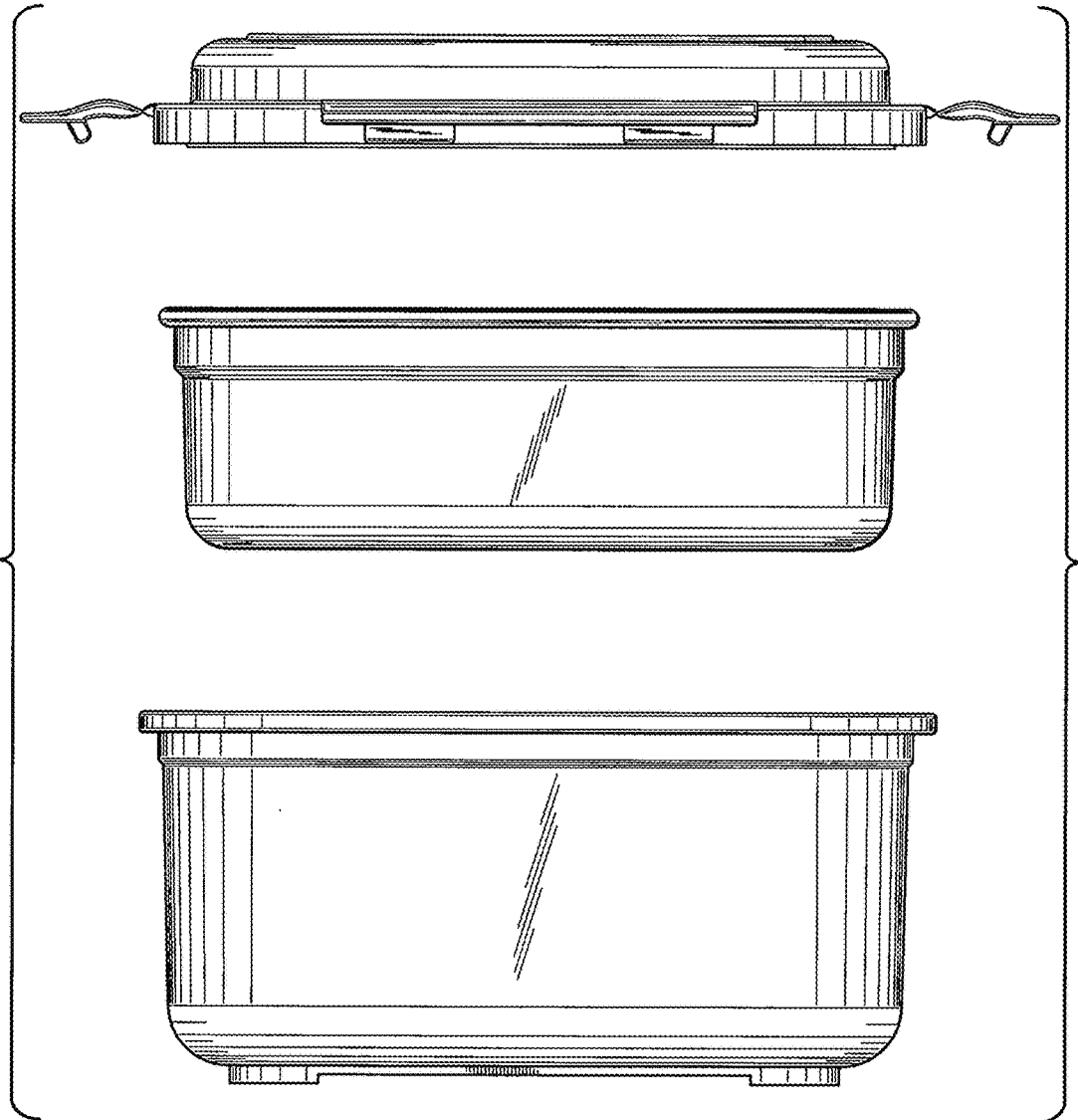


FIG. 3

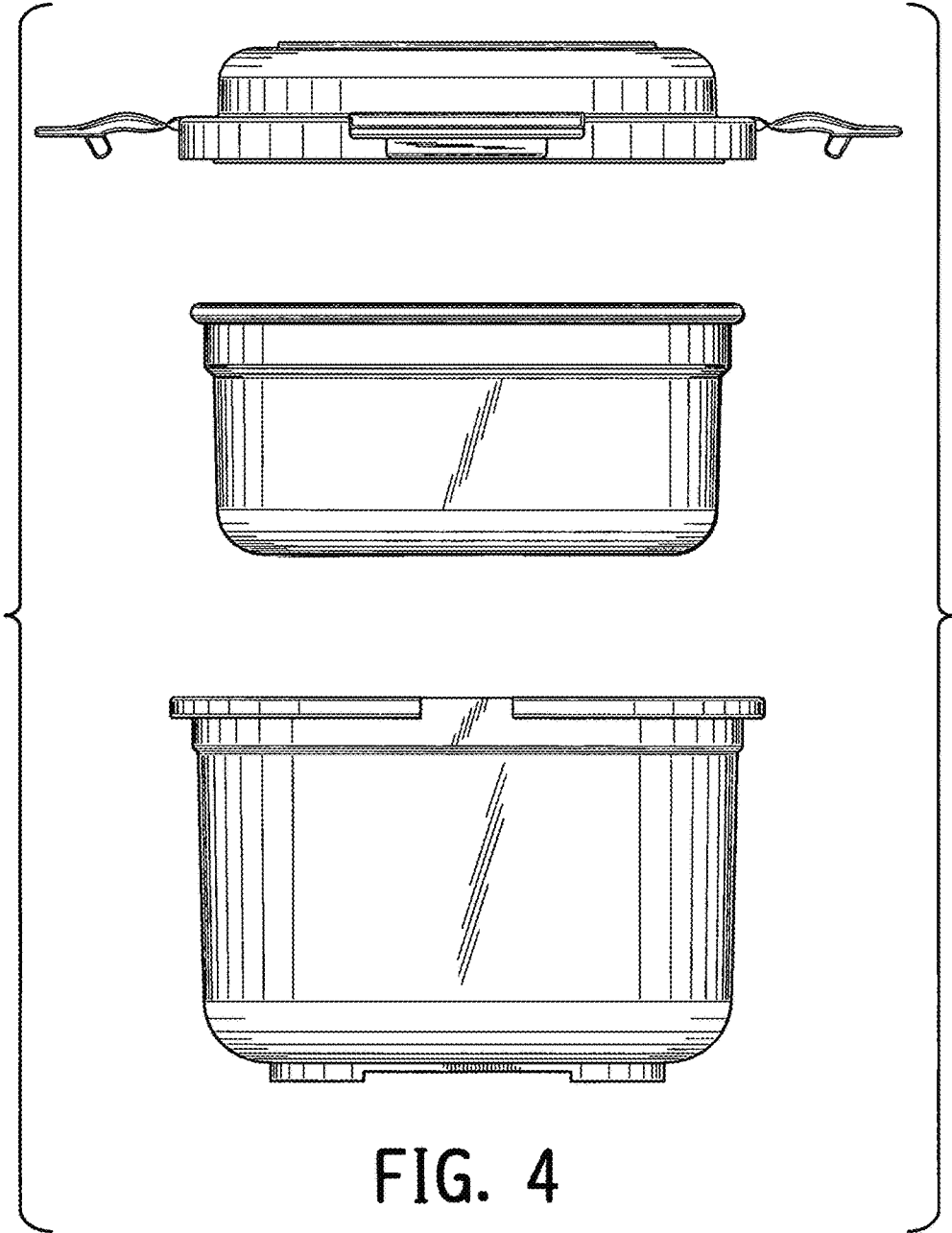


FIG. 4

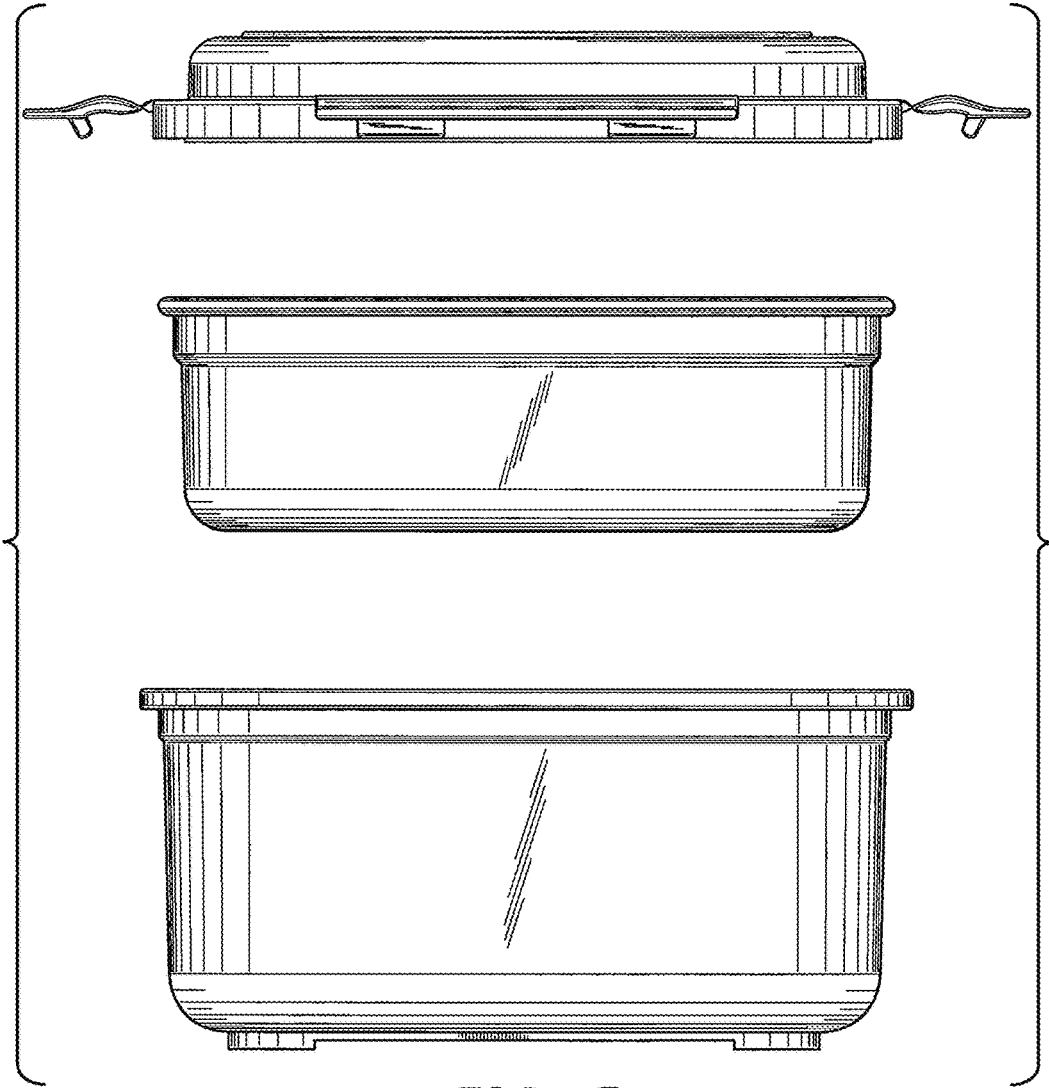
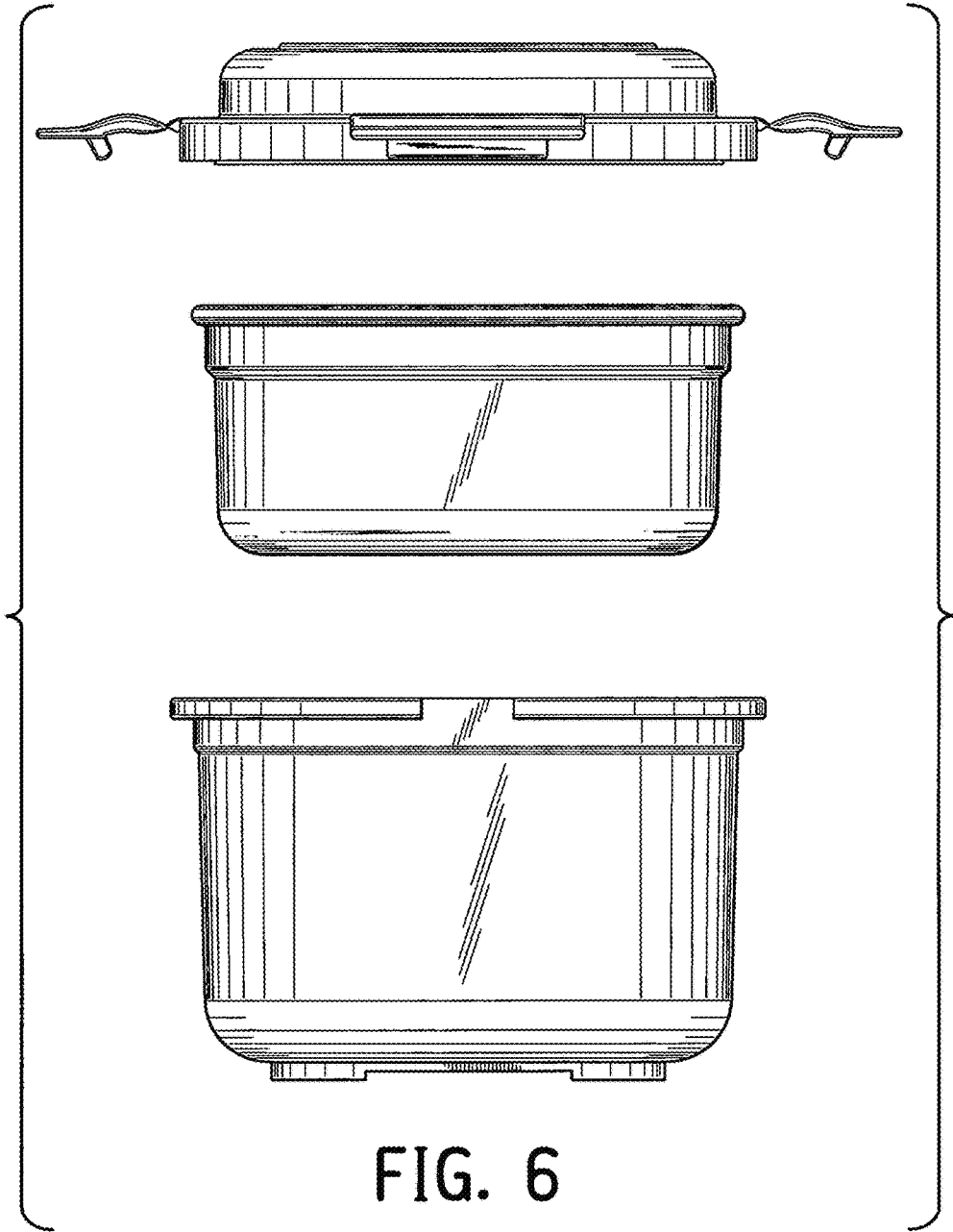


FIG. 5



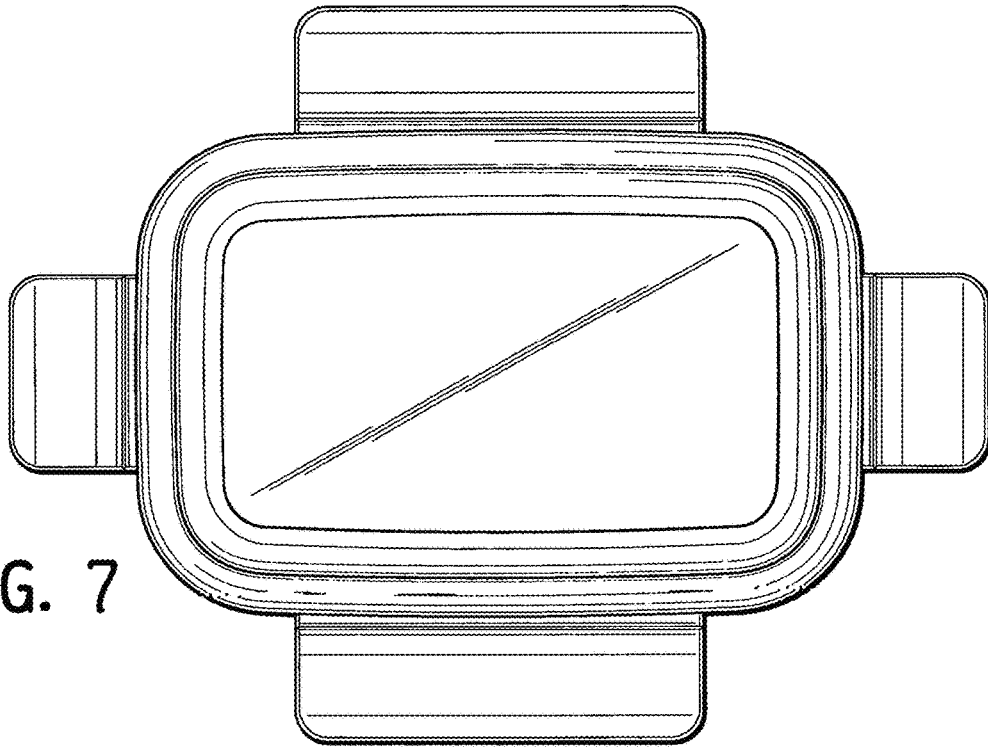


FIG. 7

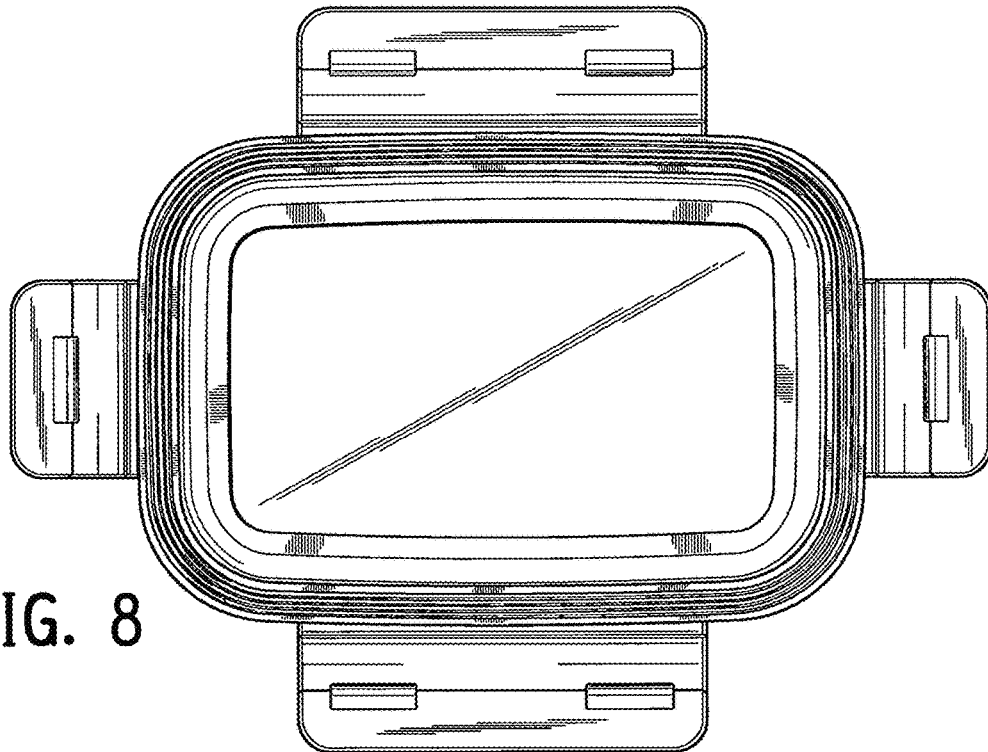


FIG. 8

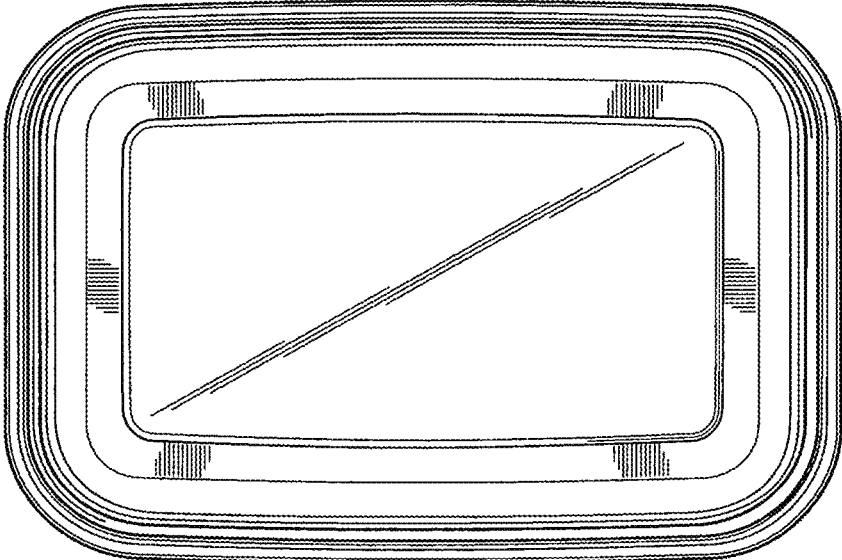


FIG. 9

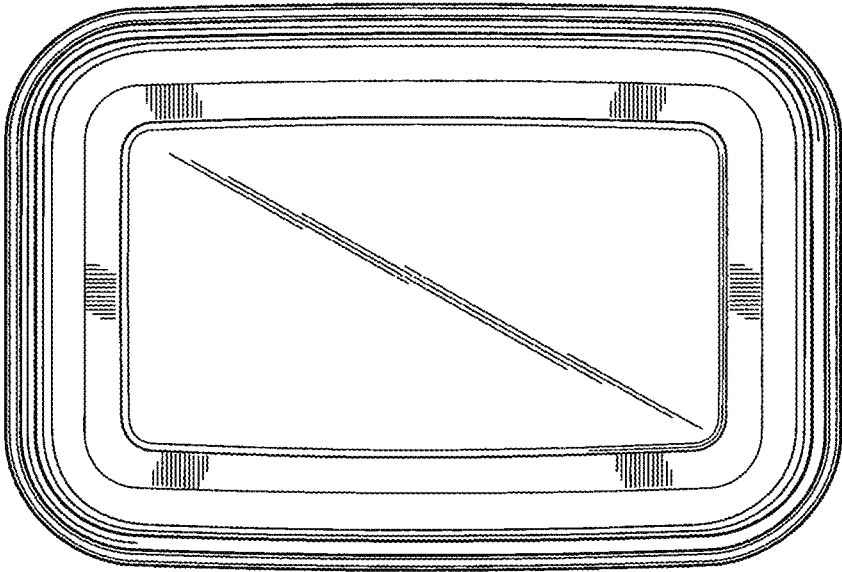


FIG. 10

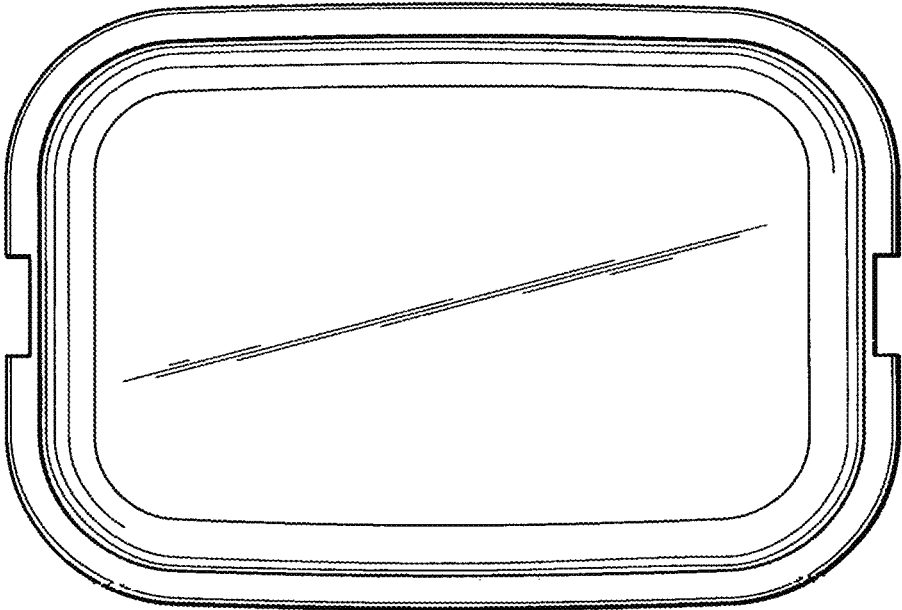


FIG. 11

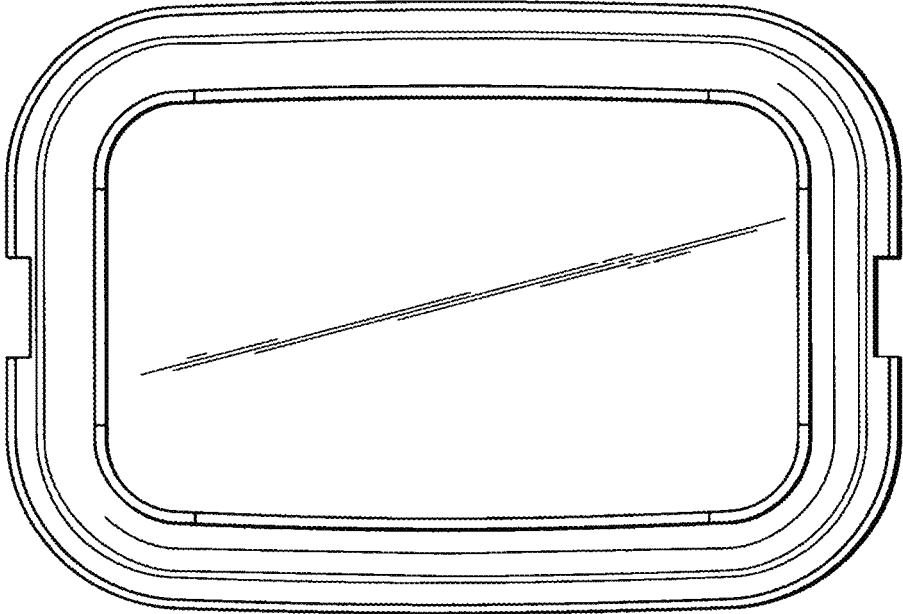


FIG. 12

FIG. 13

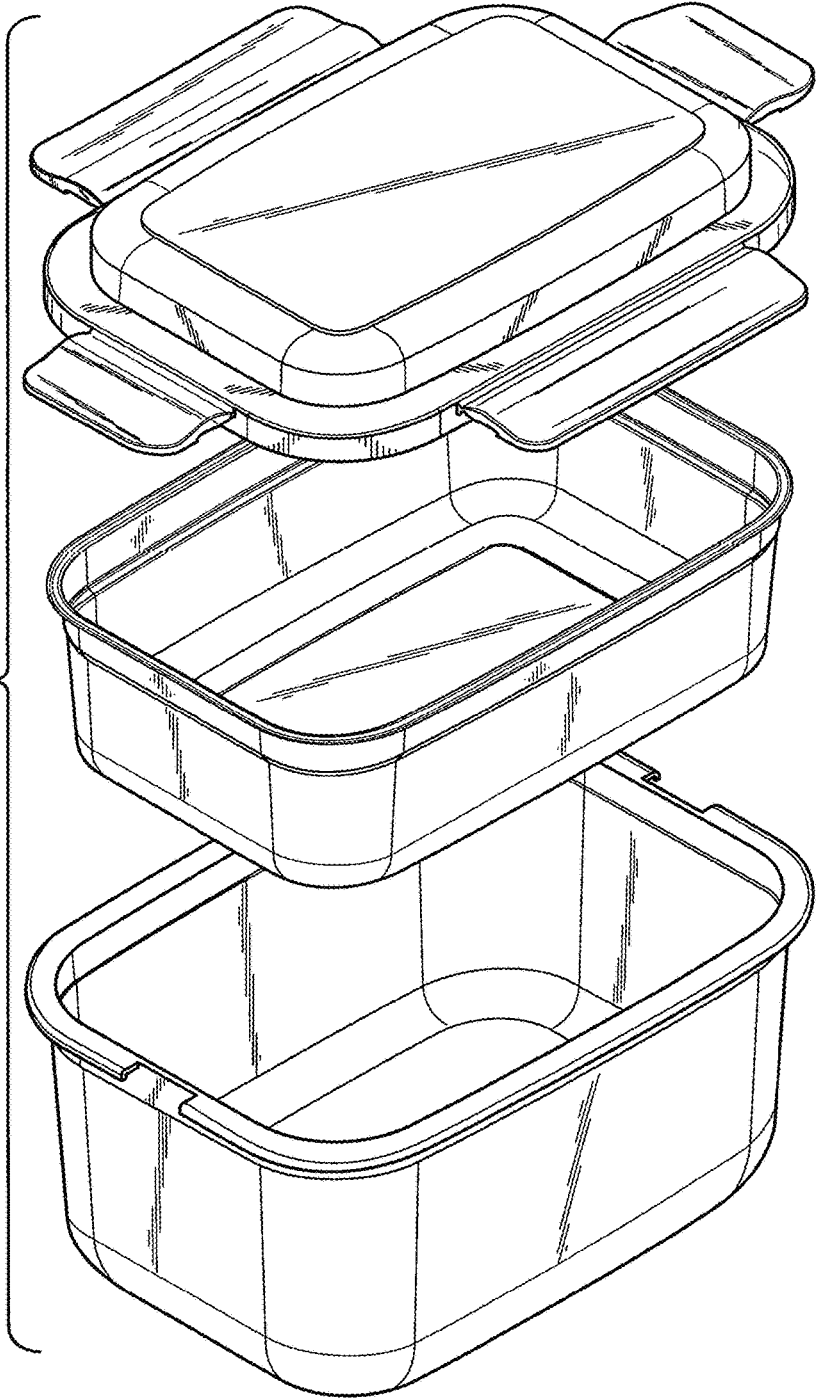


FIG. 14

