



US00D56990S

(12) **United States Design Patent**
Fisch

(10) **Patent No.:** **US D569,990 S**

(45) **Date of Patent:** **** May 27, 2008**

(54) **MICROSCOPE SLIDE ASSEMBLY**

(75) Inventor: **Harry Fisch**, Scarsdale, NY (US)

(73) Assignee: **Millennium Sciences**, New York, NY (US)

(**) Term: **14 Years**

(21) Appl. No.: **29/266,839**

(22) Filed: **Sep. 28, 2006**

(51) **LOC (8) Cl.** **24-02**

(52) **U.S. Cl.** **D24/225**

(58) **Field of Classification Search** D24/224–226;
D16/131; 356/244, 246; 359/391, 396–398;
422/102; 428/206, 210; 435/305.1

See application file for complete search history.

(56) **References Cited**

U.S. PATENT DOCUMENTS

D218,819 S *	9/1970	Rubin	D24/225
4,501,496 A *	2/1985	Griffin	356/246
5,518,925 A *	5/1996	Tyndorf et al.	422/102
5,571,721 A *	11/1996	Turner	435/305.1
D418,228 S *	12/1999	Fisch	D24/225

D420,746 S *	2/2000	Cardy	D24/224
D423,678 S *	4/2000	Fisch	D24/225
D431,300 S *	9/2000	Fisch	D24/225
D431,301 S *	9/2000	Fisch	D24/225
D495,806 S *	9/2004	Nørholm	D24/224
D501,678 S *	2/2005	Oberhardt	D24/225

* cited by examiner

Primary Examiner—Robert A. Delehanty

Assistant Examiner—Mark Cavanna

(74) *Attorney, Agent, or Firm*—Hogan & Hartson LLP

(57) **CLAIM**

The ornamental design for the microscope slide assembly, as shown and described.

DESCRIPTION

FIG. 1 is a perspective view of my new design of a microscope slide assembly;

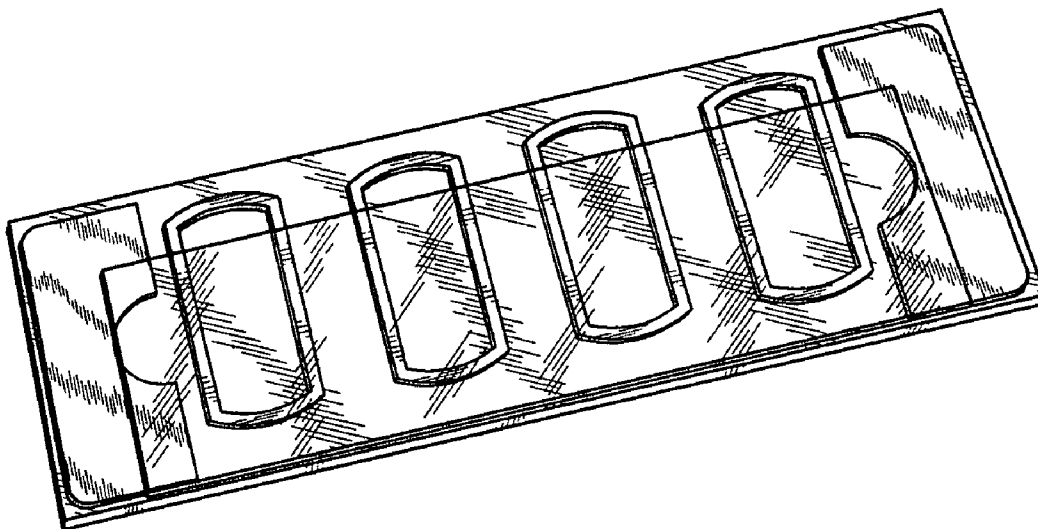
FIG. 2 is a top view thereof;

FIG. 3 is a bottom view thereof;

FIG. 4 is a front view thereof; and,

FIG. 5 is a side view thereof.

1 Claim, 3 Drawing Sheets



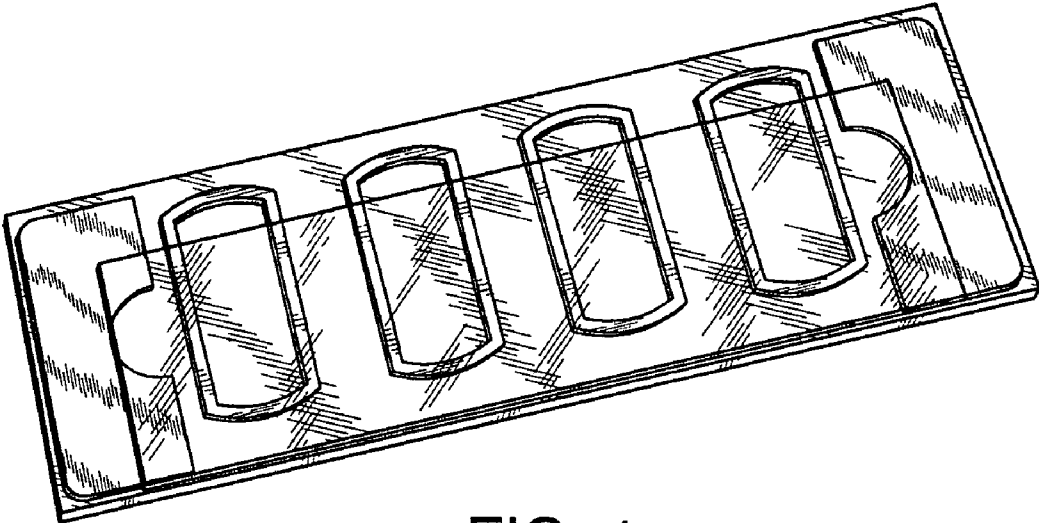


FIG. 1

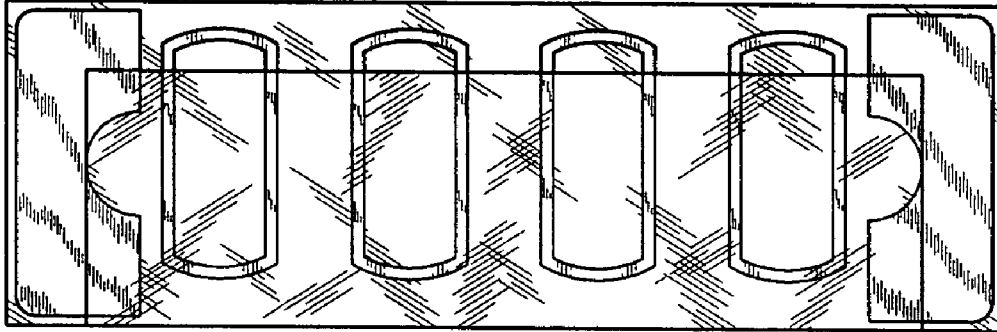


FIG. 2

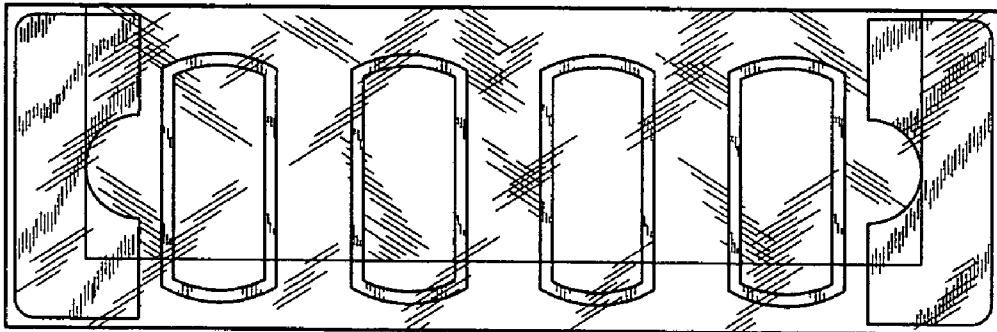


FIG. 3

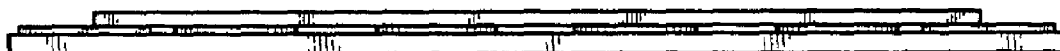


FIG. 4



FIG. 5