



(12) **United States Design Patent**  
**Morris et al.**

(10) **Patent No.:** **US D900,225 S**  
(45) **Date of Patent:** **\*\* Oct. 27, 2020**

(54) **WRAPAROUND PERIPHERAL GRIP FOR A GAME CONTROLLER**

(71) Applicant: **GAMING GRIPS, INC.**, Steamboat Springs, CO (US)

(72) Inventors: **Michael Lee Morris**, Steamboat Springs, CO (US); **Michael Jeffrey Kozer**, Steamboat Springs, CO (US)

(73) Assignee: **GAMING GRIPS, INC.**, Steamboat Springs, CO (US)

(\*\*) Term: **15 Years**

(21) Appl. No.: **29/615,446**

(22) Filed: **Aug. 29, 2017**

(51) **LOC (12) Cl.** ..... **21-01**

(52) **U.S. Cl.**  
USPC ..... **D21/333**

(58) **Field of Classification Search**

USPC ..... D21/324, 333; D14/160, 137, 138, 168, D14/174, 217, 218, 356, 387, 388, 389, D14/399-401, 412-416, 443, 449, 450, D14/454, 471, 474, 483, 496, 511; D13/164-168; D18/19; D12/174, 177, D12/190, 218  
CPC ..... A63F 13/24; A63F 13/02; A63F 13/06; A63F 13/98; A63F 9/00; A63F 9/24; A63F 11/00; H04N 21/00; H04N 7/14; G06F 1/1666; G06F 17/00; G06F 19/00; C09J 7/38

See application file for complete search history.

(56) **References Cited**

**U.S. PATENT DOCUMENTS**

6,923,443 B1 8/2005 Hughes, IV  
D640,697 S \* 6/2011 Lovoi ..... D14/401  
D669,078 S \* 10/2012 Lovoi ..... D14/401  
D708,615 S 7/2014 Delrue et al.

D712,973 S \* 9/2014 Sumii ..... D14/401  
D730,451 S 5/2015 Burgess et al.  
D733,802 S 7/2015 Burgess et al.  
D736,762 S \* 8/2015 Lovoi ..... D14/333  
D736,860 S \* 8/2015 Lovoi ..... D14/401  
9,210,819 B2 12/2015 Cohen

(Continued)

**OTHER PUBLICATIONS**

Francisco, Eric KontrolFreek's FPS Thumbsticks Work, Kind of Kontrol Freeks FPS; available at <https://www.inverse.com/article/9297-kontrolfreak-s-fps-thumbsticks-work-kind-of>; posted online Dec. 16, 2015.

(Continued)

*Primary Examiner* — Sandra Snapp

*Assistant Examiner* — Mehri Bajoul

(74) *Attorney, Agent, or Firm* — Jason H. Vick; Sheridan Ross, PC

(57) **CLAIM**

The ornamental design for the wraparound peripheral grip for a game controller, as shown and described.

**DESCRIPTION**

FIG. 1 is a perspective view of a wraparound peripheral grip for a game controller;

FIG. 2 is a front elevation view thereof;

FIG. 3 is a rear elevation view thereof;

FIG. 4 is a right elevation view thereof;

FIG. 5 is a left elevation view thereof;

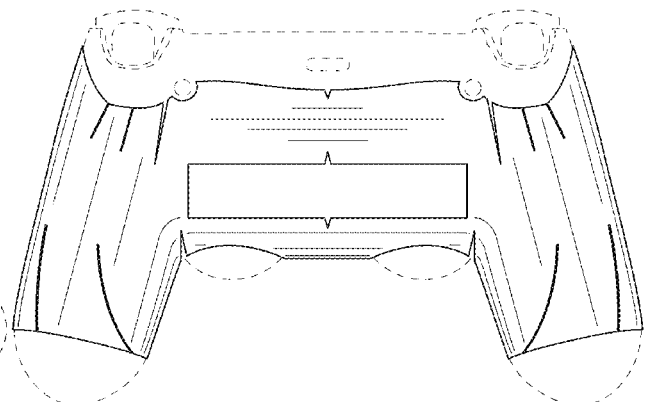
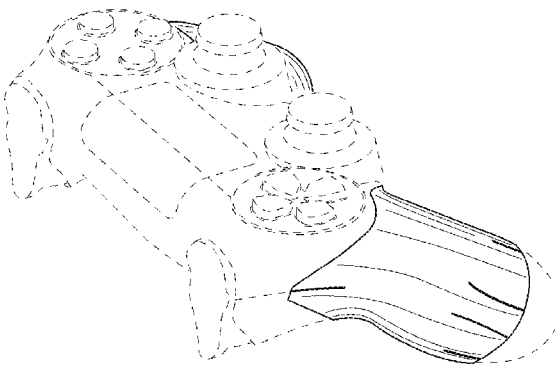
FIG. 6 is a top plan view thereof;

FIG. 7 is a bottom plan view thereof; and,

FIG. 8 is a rear elevation view that shows the wraparound peripheral grip for a game controller in an unwrapped position.

The broken lines in the drawings illustrate portions of the wraparound peripheral grip for a game controller which form no part of the claimed design.

**1 Claim, 8 Drawing Sheets**



(56)

**References Cited**

## U.S. PATENT DOCUMENTS

D768,786	S	*	10/2016	Seflic	.....	D14/401
D780,180	S		2/2017	Ironmonger et al.		
D787,606	S	*	5/2017	Coe	.....	D21/333
D816,674	S		5/2018	Wu		
2002/0010020	A1		1/2002	Johnson		
2005/0022924	A1		2/2005	Blackburn		
2005/0075172	A1		4/2005	Coleman		
2005/0275165	A1		12/2005	Hussaini et al.		
2006/0154029	A1		7/2006	Antonini		
2006/0198978	A1		9/2006	Antonini		
2009/0162651	A1		6/2009	Rios et al.		
2014/0125009	A1		5/2014	Sternberg		
2018/0154252	A1	*	6/2018	Mistry	.....	A63F 13/98
2019/0054382	A1	*	2/2019	Morris	.....	A63F 13/98

## OTHER PUBLICATIONS

Kontrol Freek Controller Performance Grips for PS4 & Xbox One!;  
available at <https://www.youtube.com/watch?v=Jh5galxsRWQ>; posted  
Oct. 7, 2017.

Ex Parte Quayle Action for U.S. Appl. No. 29/615,415, mailed Jun.  
28, 2019.

Notice of Allowance for U.S. Appl. No. 29/615,415, dated Oct. 11,  
2019.

Office Action for U.S. Appl. No. 15/998,454, dated Dec. 30, 2019.

Notice of Allowance for U.S. Appl. No. 15/998,454, dated Mar. 25,  
2020.

\* cited by examiner

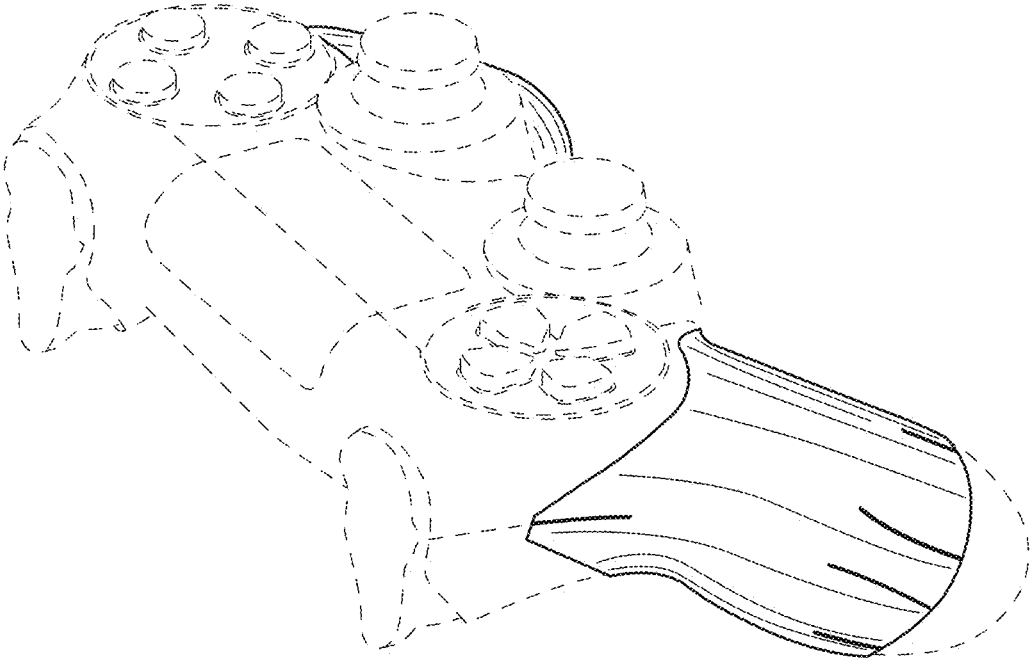


FIG.1

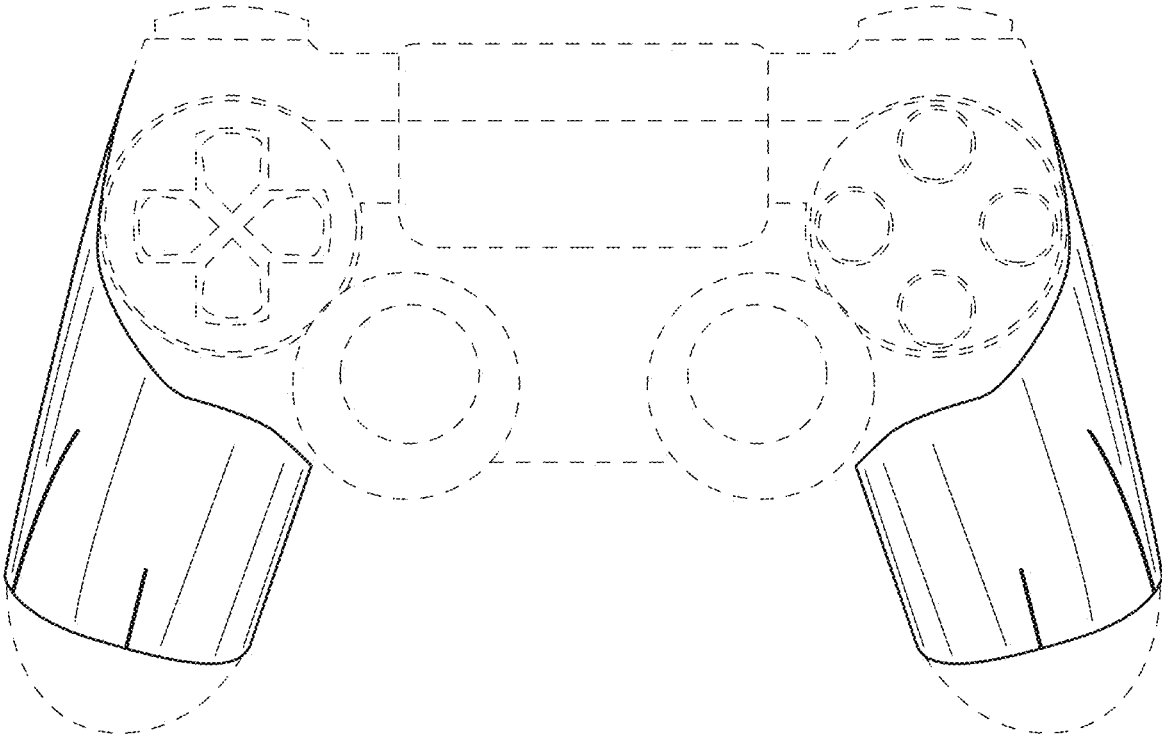


FIG.2

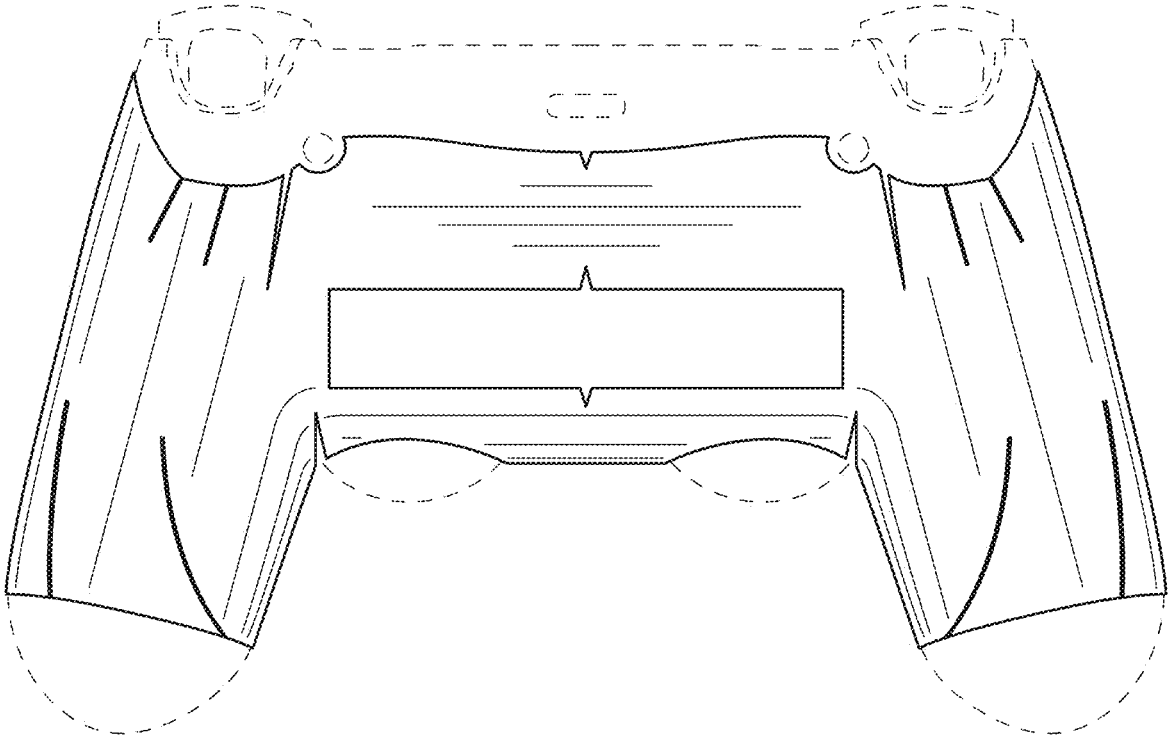


FIG.3

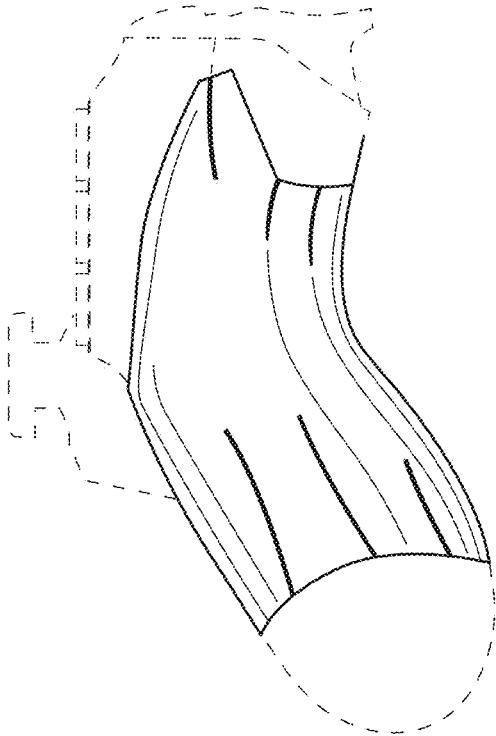


FIG.4

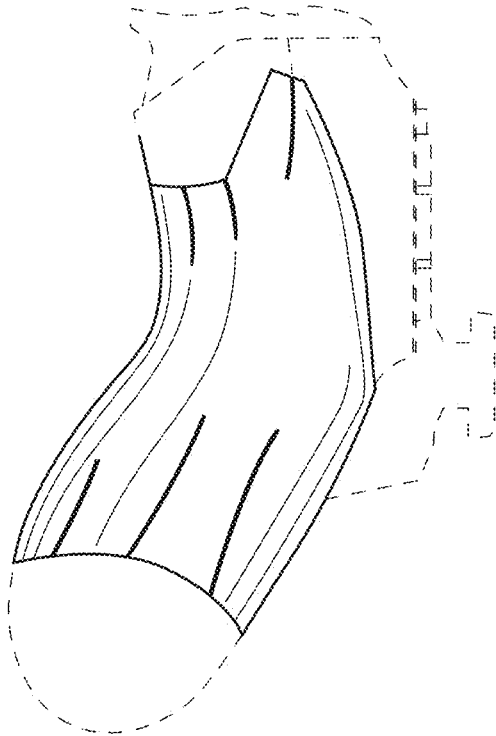


FIG.5

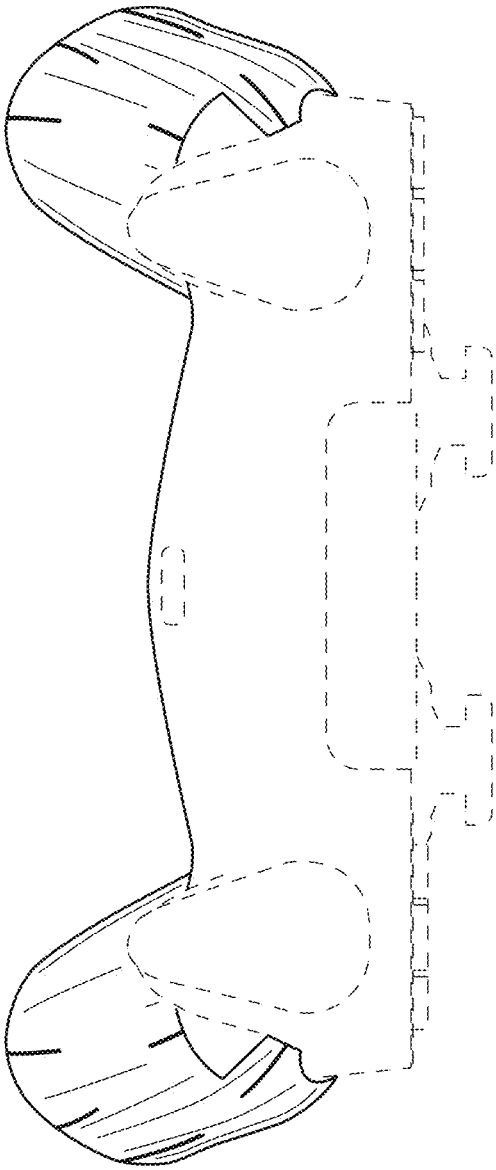


FIG.6



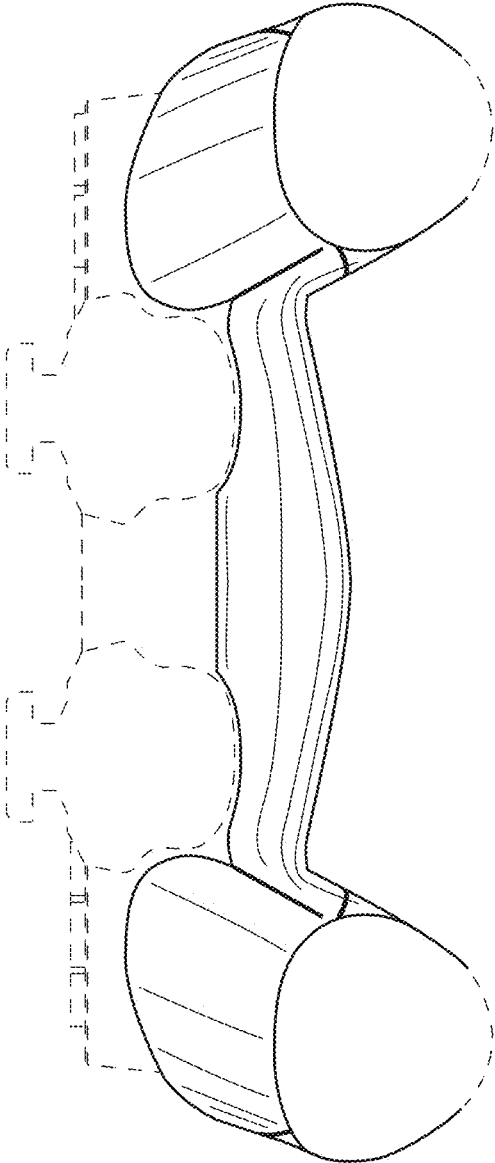


FIG.7

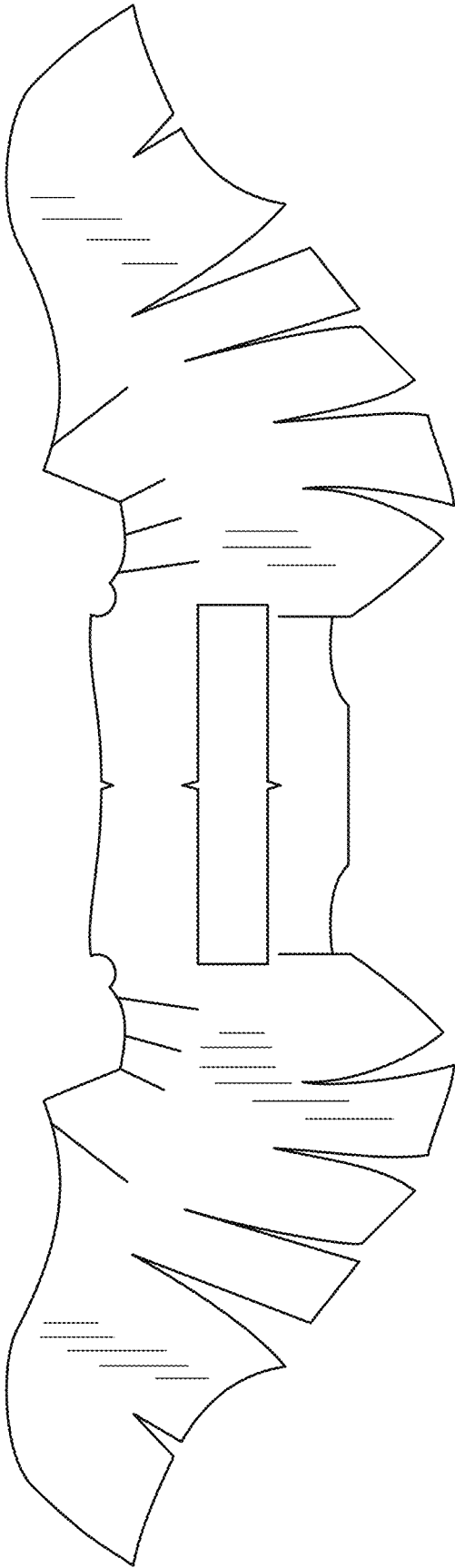


FIG.8