



US00D732327S

(12) **United States Design Patent**
Ciuksza, Jr. et al.

(10) **Patent No.:** **US D732,327 S**
(45) **Date of Patent:** **** Jun. 23, 2015**

(54) **PORTABLE KEGGED BEVERAGE CONTAINER**

(71) Applicants: **Albert B. Ciuksza, Jr.**, Pittsburgh, PA (US); **Todd Barnett**, Pittsburgh, PA (US); **Douglas Crame**, Pittsburgh, PA (US); **Ray Robbins**, Mesa, AZ (US)

(72) Inventors: **Albert B. Ciuksza, Jr.**, Pittsburgh, PA (US); **Todd Barnett**, Pittsburgh, PA (US); **Douglas Crame**, Pittsburgh, PA (US); **Ray Robbins**, Mesa, AZ (US)

(**) Term: **14 Years**

(21) Appl. No.: **29/470,787**

(22) Filed: **Oct. 24, 2013**

(51) **LOC (10) Cl.** **07-01**

(52) **U.S. Cl.**
USPC **D7/306; D7/300**

(58) **Field of Classification Search**
USPC D7/300, 300.1, 300.2, 304-318, 326, D7/397-399, 386, 605, 606; D3/279; D18/34.6; D34/24, 25; D32/21, 22; 222/146.6, 185.1, 108; 422/120; 62/457.5, 371, 306, 457.9; D23/359, D23/319, 354, 225; D24/111; D15/79; 15/327.2
CPC B67D 1/0004; B67D 2001/0822; B67D 2210/00133
See application file for complete search history.

(56) **References Cited**
U.S. PATENT DOCUMENTS

2,917,906	A	*	12/1959	Woolley	62/306
3,178,896	A		4/1965	Sandsto		
3,180,529	A		4/1965	Buffington		
4,633,678	A		1/1987	Lea		
5,154,317	A		10/1992	Roppolo, III		
D370,159	S	*	5/1996	Fenton et al.	D7/605
D378,456	S	*	3/1997	Speicher	D34/25

D415,383	S	*	10/1999	Le	D7/306
5,971,218	A	*	10/1999	Le	222/185.1
D422,386	S	*	4/2000	Jaros et al.	D32/22
D445,116	S	*	7/2001	Evans et al.	D15/79
D466,267	S	*	11/2002	Lee	D34/24
6,648,177	B2	*	11/2003	Burger	222/108
D528,368	S	*	9/2006	Maldonado	D7/605
D544,758	S	*	6/2007	Jones et al.	D7/605
D576,703	S	*	9/2008	Nathan et al.	D23/225
D613,560	S	*	4/2010	Robichaud et al.	D7/605
7,757,908	B1		7/2010	Buhl, Jr.		
D634,414	S	*	3/2011	Wolfe et al.	D23/359
D667,597	S	*	9/2012	Dammkoehler	D32/21
D674,245	S	*	1/2013	Williams et al.	D7/605
D675,388	S	*	1/2013	Buck	D32/21
D712,605	S	*	9/2014	Dammkoehler	D32/21
D713,213	S	*	9/2014	Day	D7/606
D714,501	S	*	9/2014	Dammkoehler	D32/22
2008/0115312	A1	*	5/2008	DiPasquale et al.	15/327.2
2010/0212351	A1	*	8/2010	Chapin et al.	62/457.5
2010/0326123	A1	*	12/2010	Johnson	62/457.9

* cited by examiner

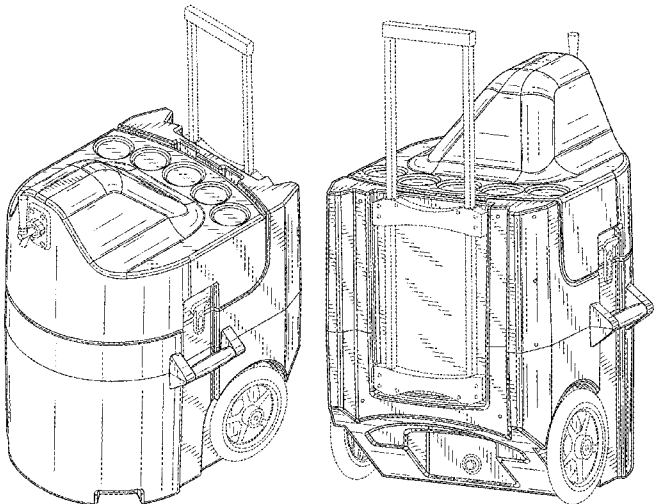
Primary Examiner — Marianne Pandozzi
Assistant Examiner — Jae Liang
(74) *Attorney, Agent, or Firm* — Ronald Law Group, LLC

(57) **CLAIM**
The ornamental design for a portable kegged beverage container, as shown and described.

DESCRIPTION

FIG. 1 is a left side view of the portable kegged beverage container showing my design;
FIG. 2 is a front view thereof;
FIG. 3 is a right side view thereof;
FIG. 4 is a rear view thereof;
FIG. 5 is a top view thereof;
FIG. 6 is a bottom view thereof;
FIG. 7 is a from perspective view thereof; and,
FIG. 8 is a rear perspective view thereof.
The broken lines in the figure drawings are included for the purpose of illustration and form no part of the claimed design.

1 Claim, 8 Drawing Sheets



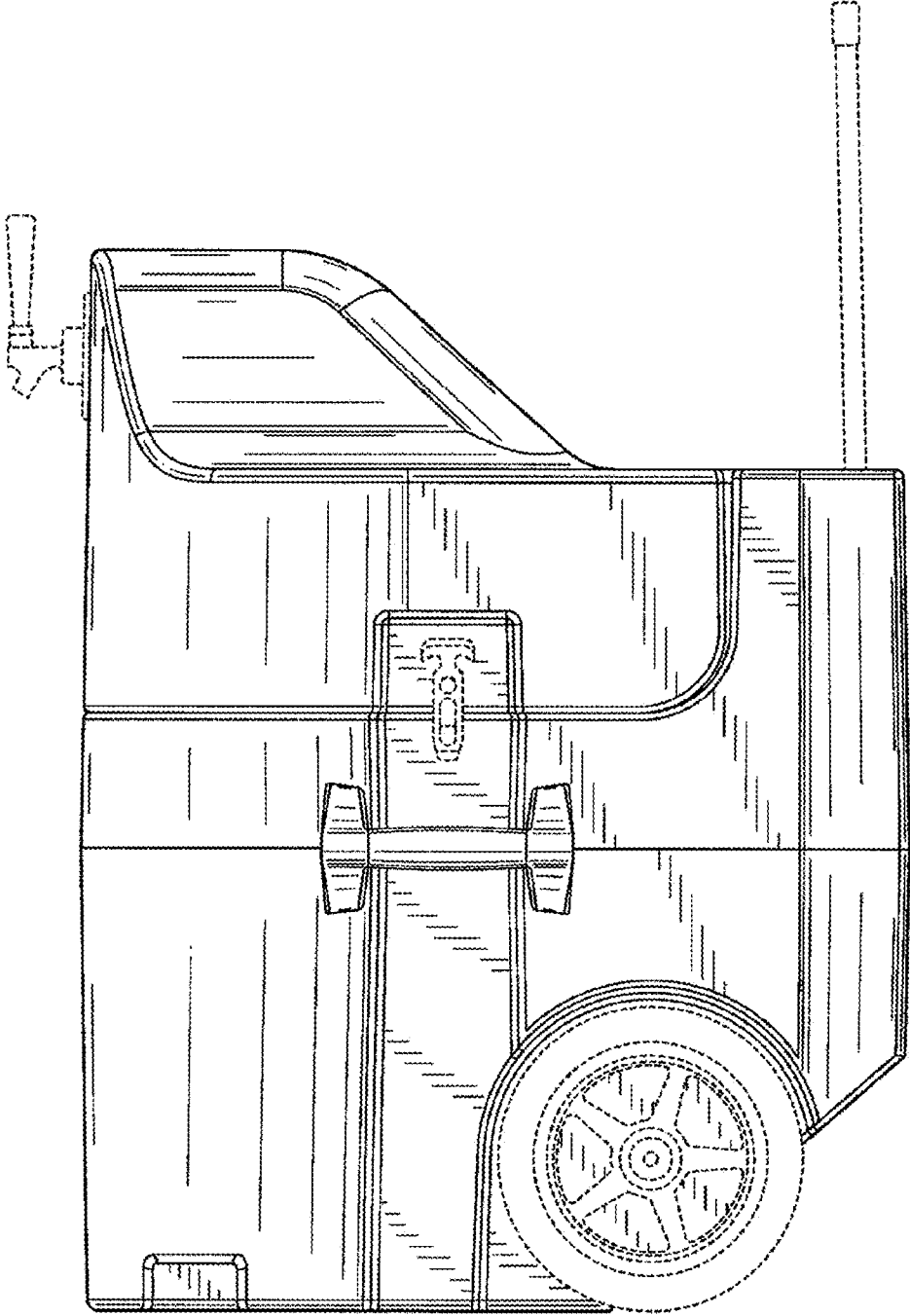


FIG. 1

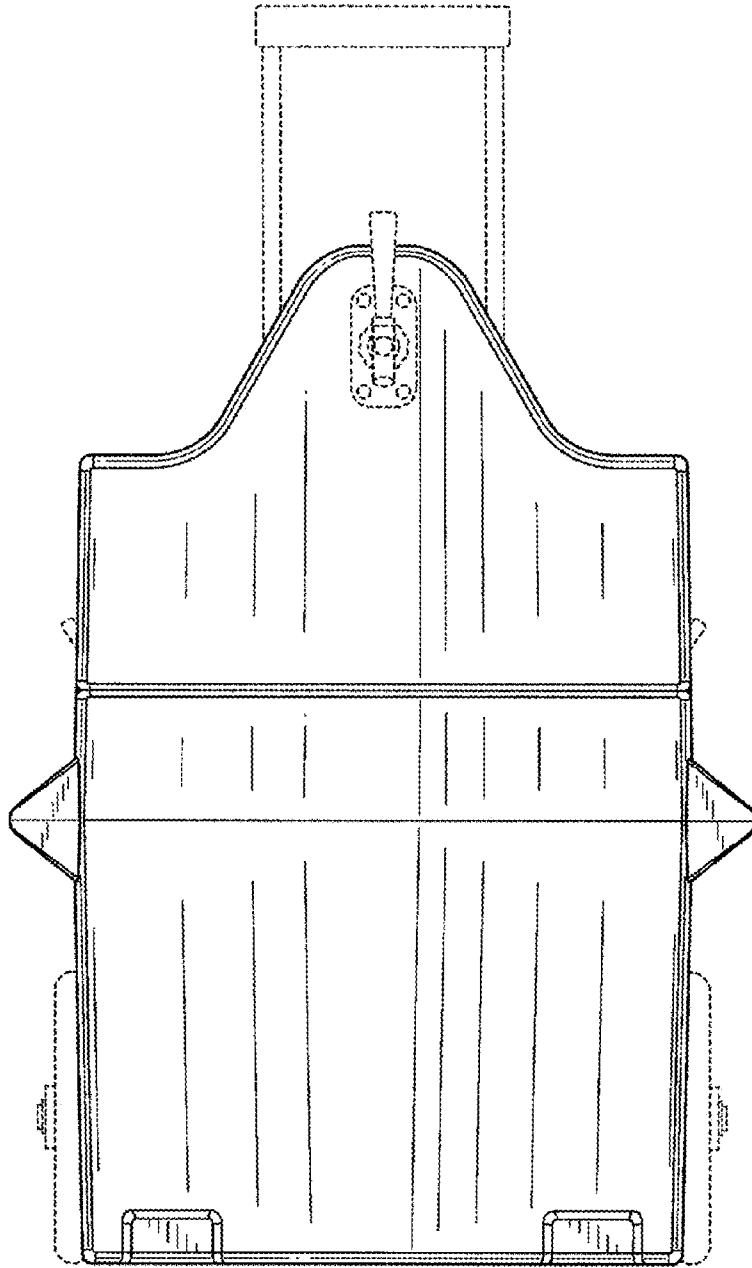


FIG. 2

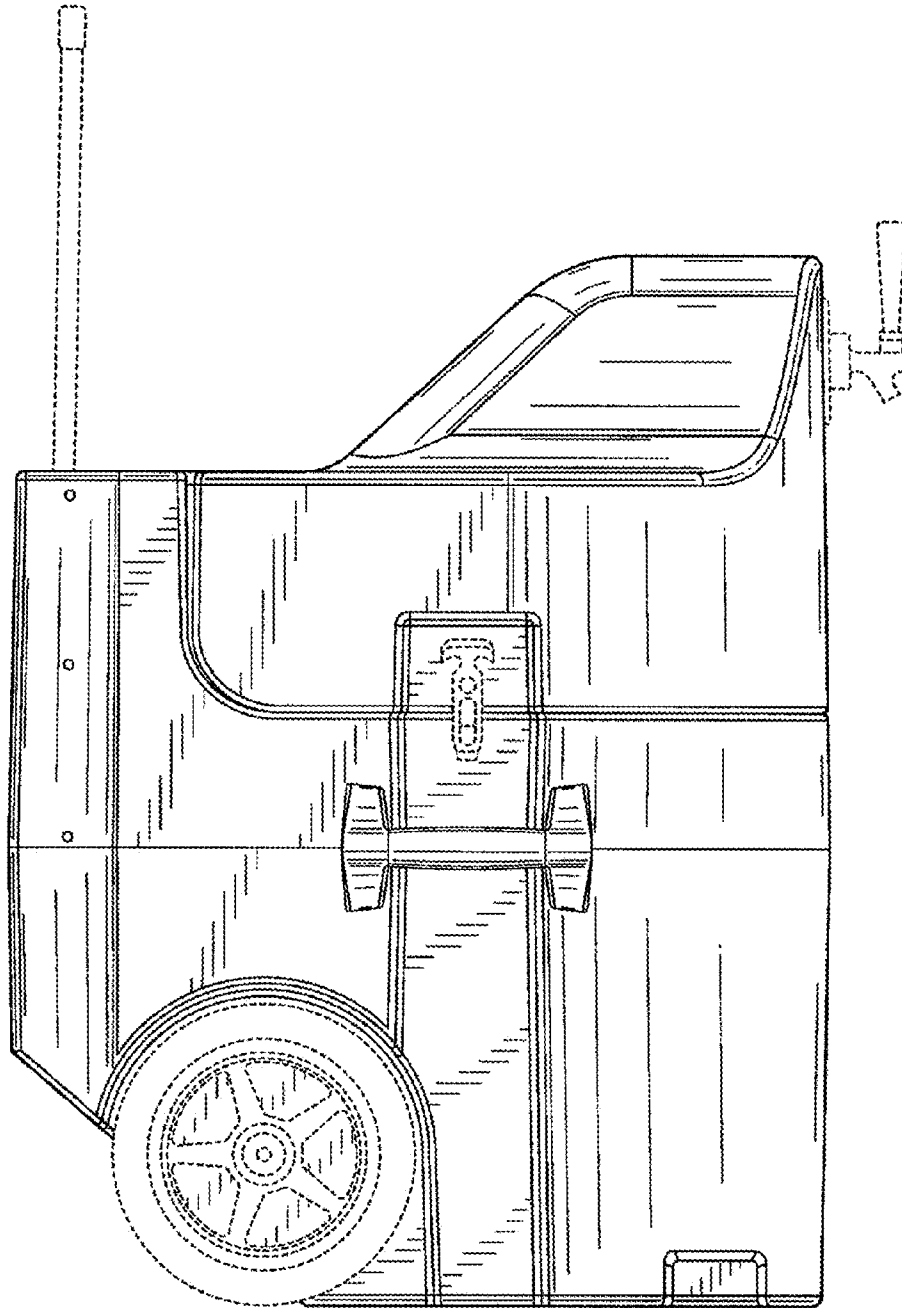


FIG. 3

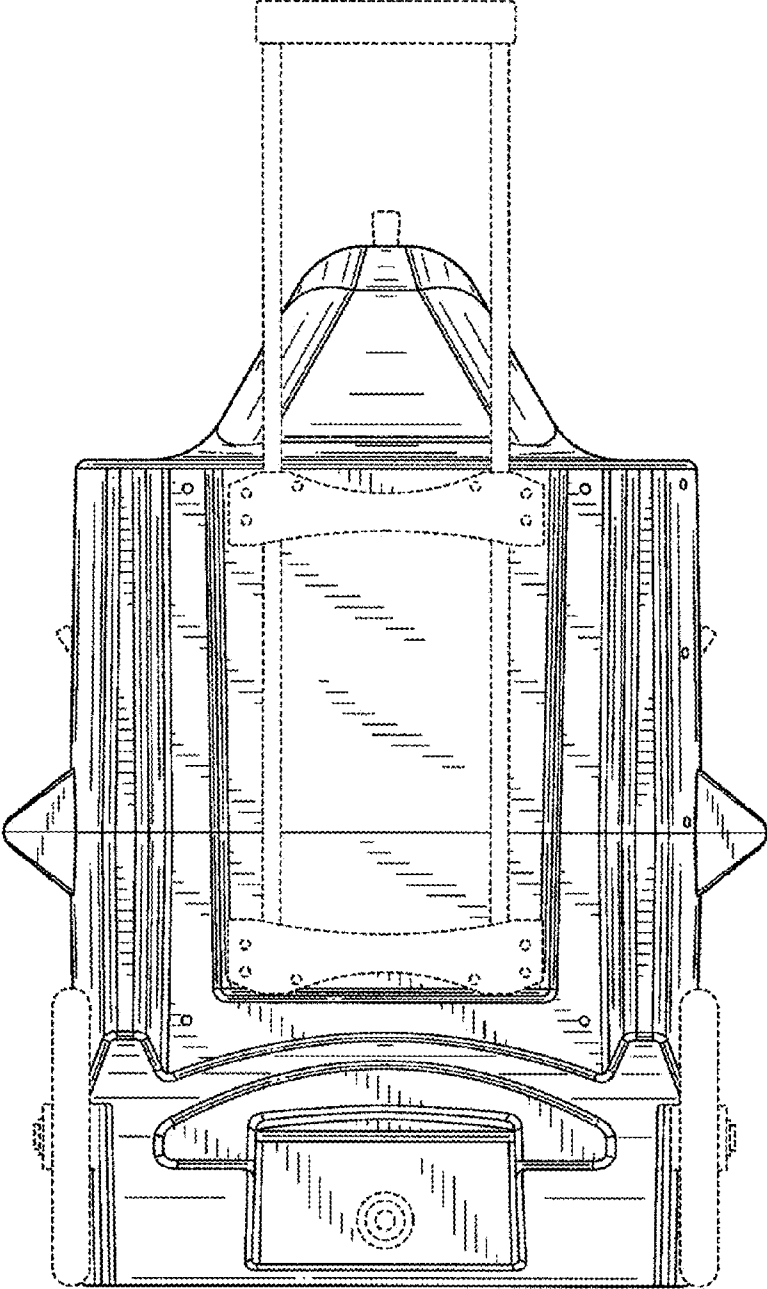


FIG. 4

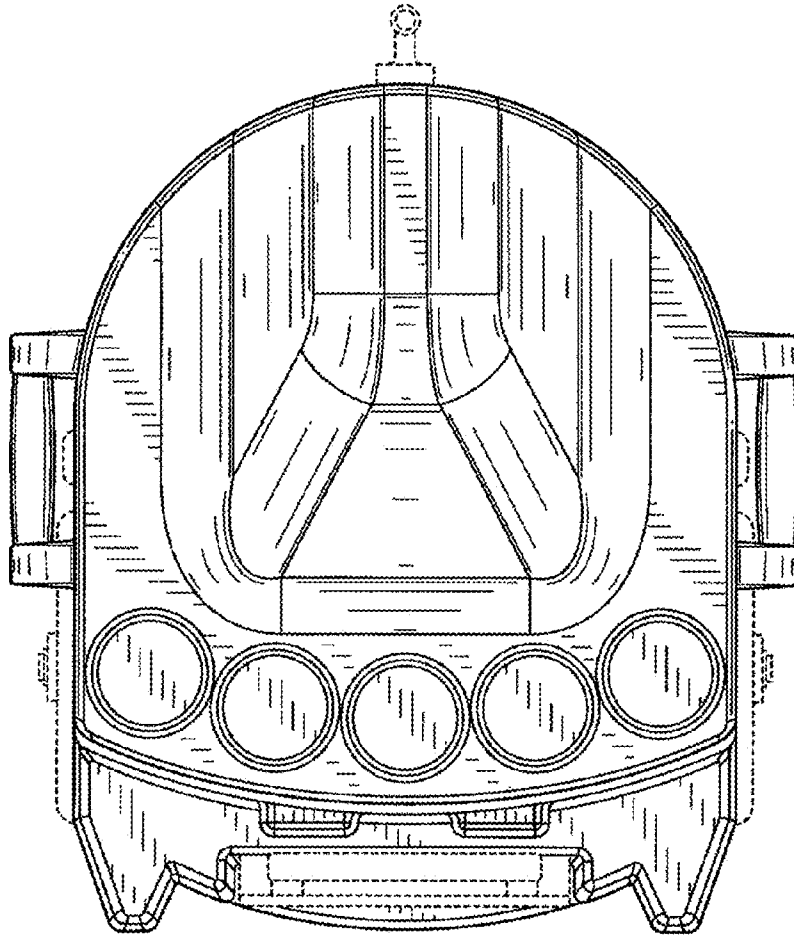


FIG. 5

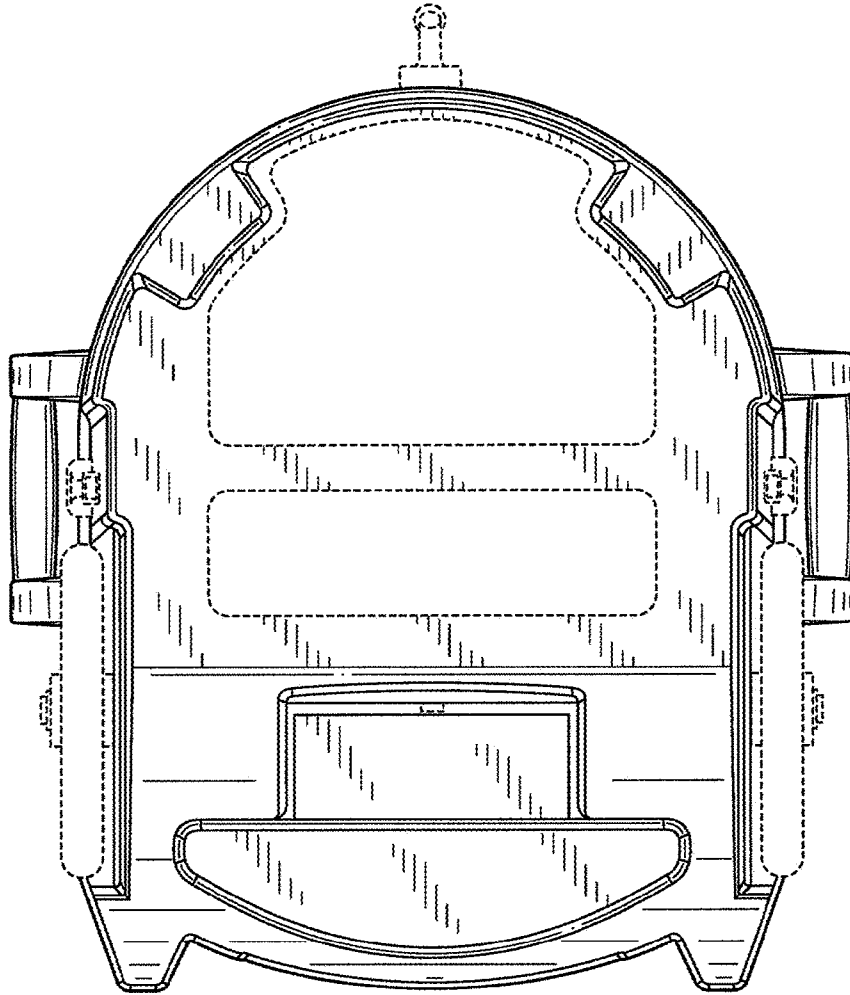


FIG. 6

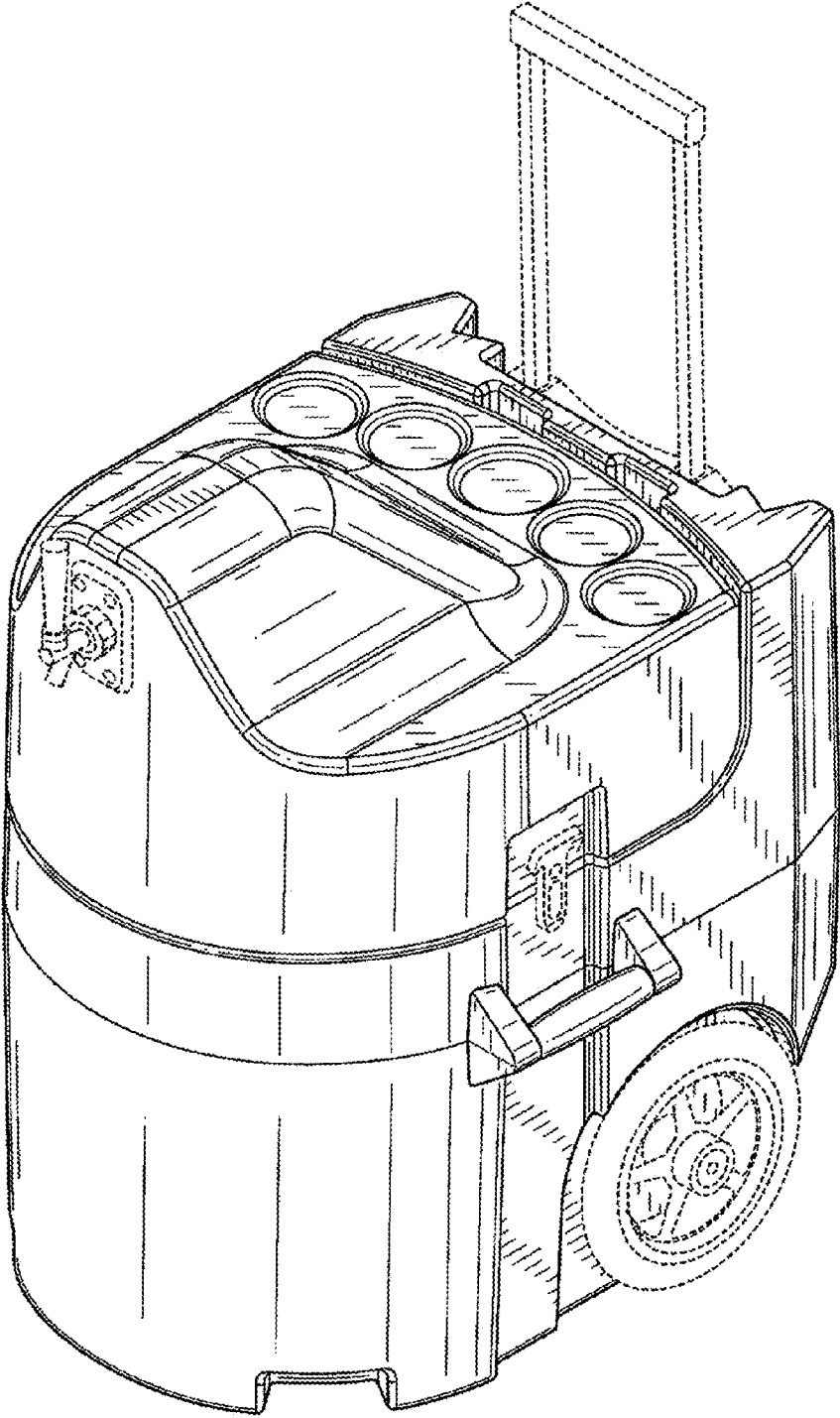


FIG. 7

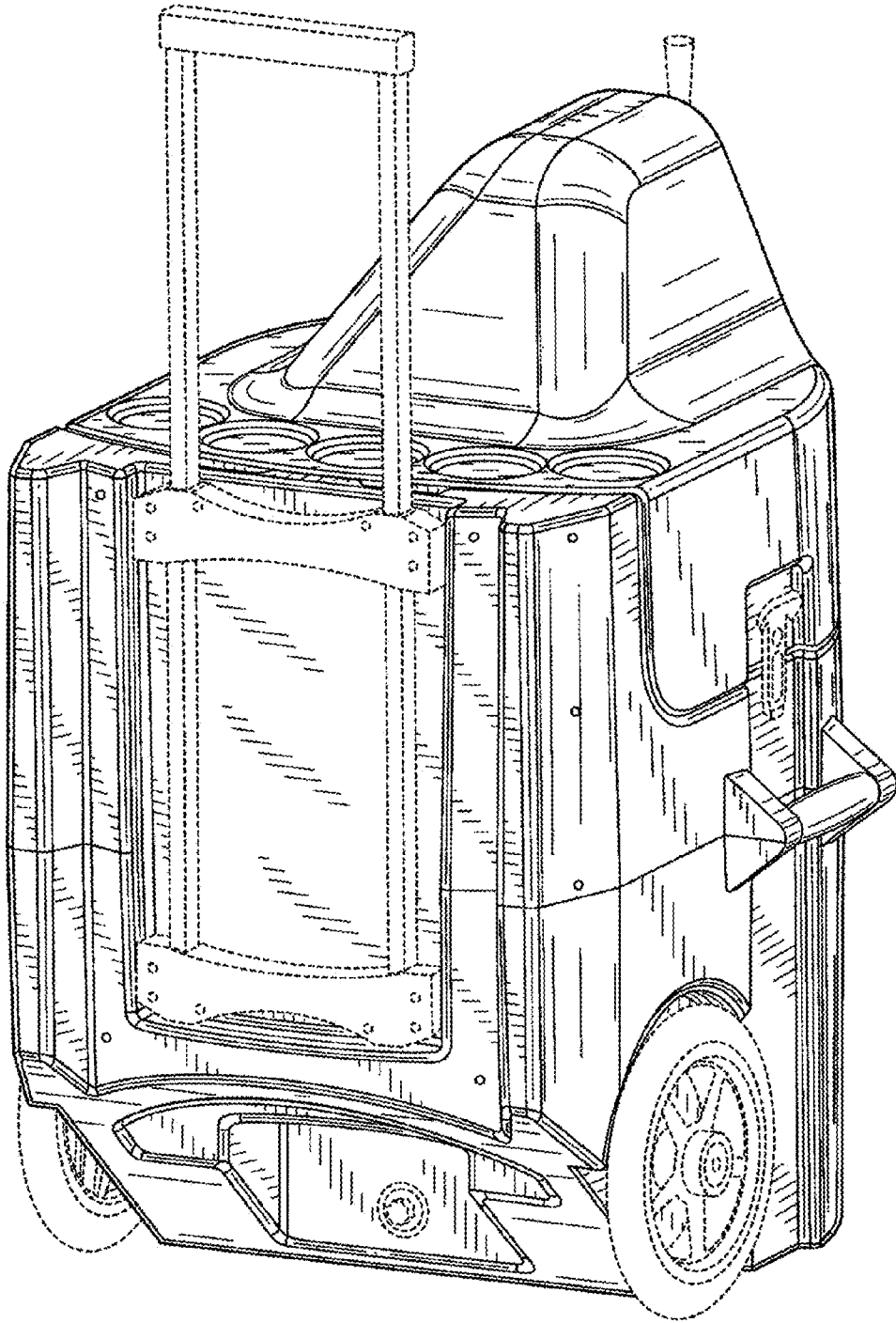


FIG. 8