



US00D419660S

# United States Patent [19]

[11] Patent Number: Des. 419,660

Zuege

[45] Date of Patent: \*\* Jan. 25, 2000

[54] COMBINED CEILING FAN AND LIGHT FIXTURE

### OTHER PUBLICATIONS

Minka-Aire Cat., P. 28, Ceiling Fan (A) top of page.

[75] Inventor: Bradford C. Zuege, Memphis, Tenn.

Primary Examiner—Lisa Lichtenstein  
Attorney, Agent, or Firm—Garrison, Morris & Haight, PLLC

[73] Assignee: Hunter Fan Company, Memphis, Tenn.

[\*\*] Term: 14 Years

### [57] CLAIM

The ornamental design for a combined ceiling fan and light fixture, as shown.

[21] Appl. No.: 29/101,390

[22] Filed: Mar. 3, 1999

### DESCRIPTION

[51] LOC (7) Cl. .... 23-04

[52] U.S. Cl. .... D23/377; D23/379; D23/385; D26/59

[58] Field of Search ..... D23/377, 379, D23/385, 411, 413; 416/5; 392/364; 362/96; D26/59, 51, 72, 81-86

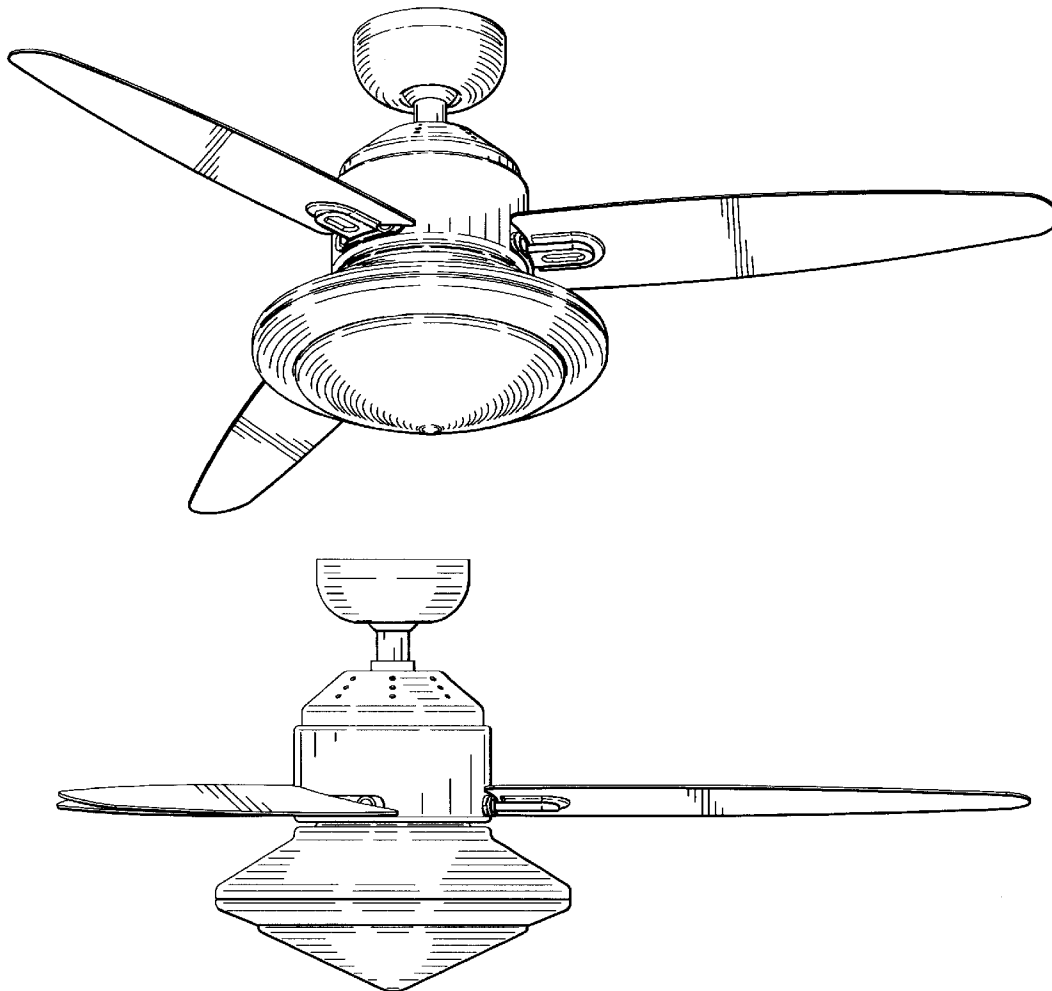
FIG. 1 is a perspective view of a combined ceiling fan and light fixture showing my new design; FIG. 2 is a front view of FIG. 1; FIG. 3 is a right-side view of FIG. 1; FIG. 4 is a rear view of FIG. 1; FIG. 5 is a left-side view of FIG. 1; FIG. 6 is a top view of FIG. 1; FIG. 7 is a bottom view of FIG. 1; and, FIG. 8 is an enlarged perspective view of the design shown in FIG. 1, with the fan blades shown broken away for ease of illustration.

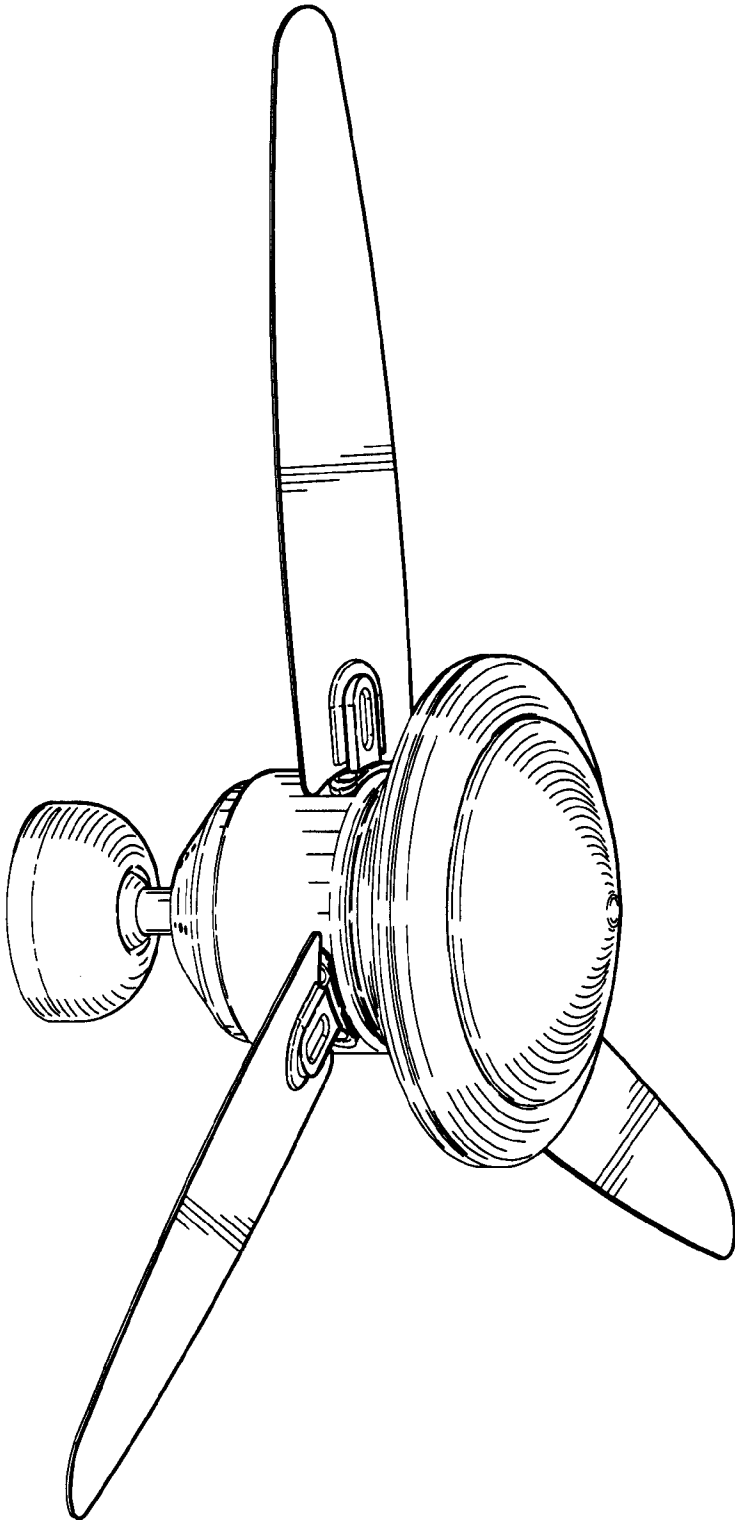
### [56] References Cited

#### U.S. PATENT DOCUMENTS

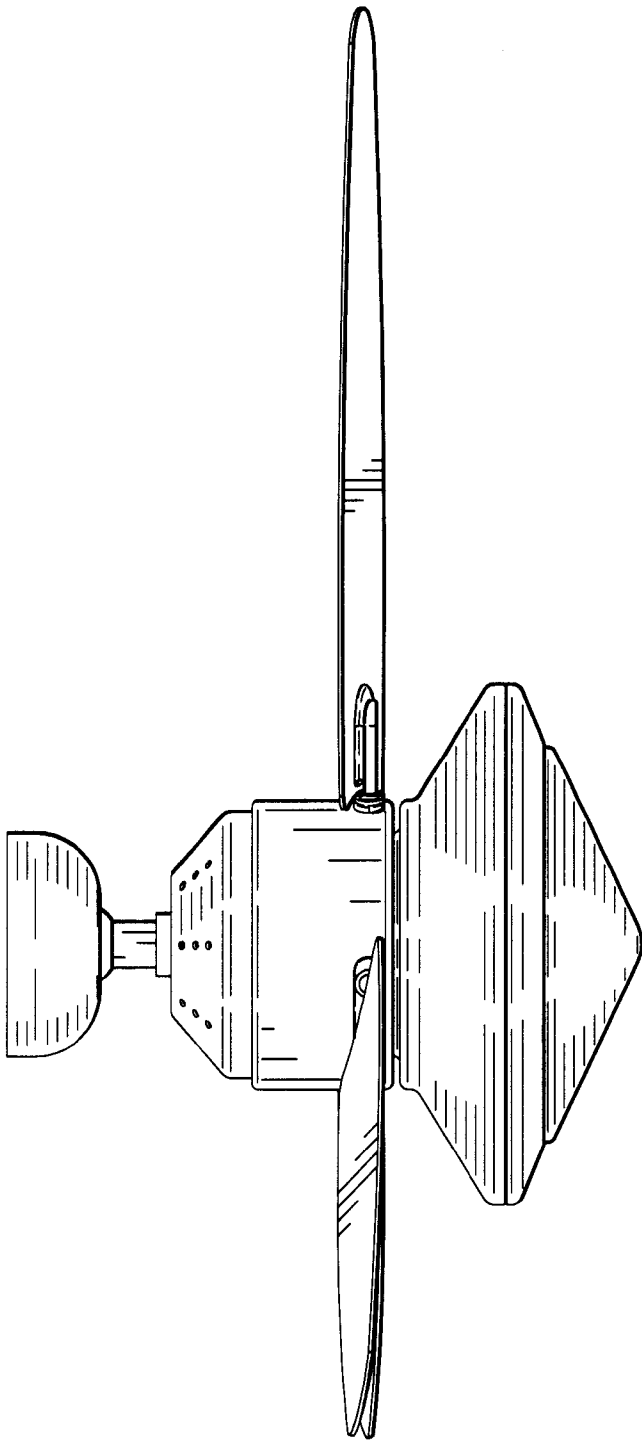
- D. 305,059 12/1989 Miranda et al. .... D23/377
- D. 407,481 3/1999 Evans ..... D23/377
- D. 408,516 4/1999 Tai ..... D23/377

1 Claim, 8 Drawing Sheets

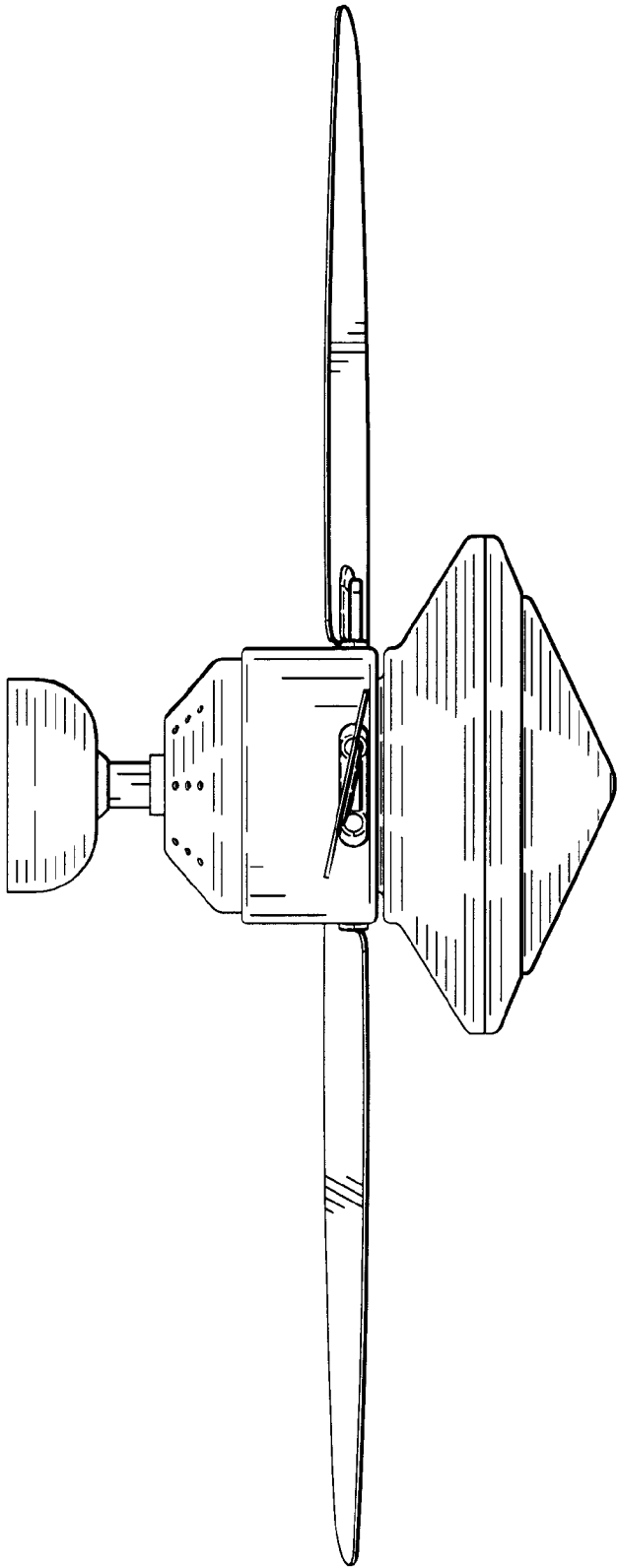




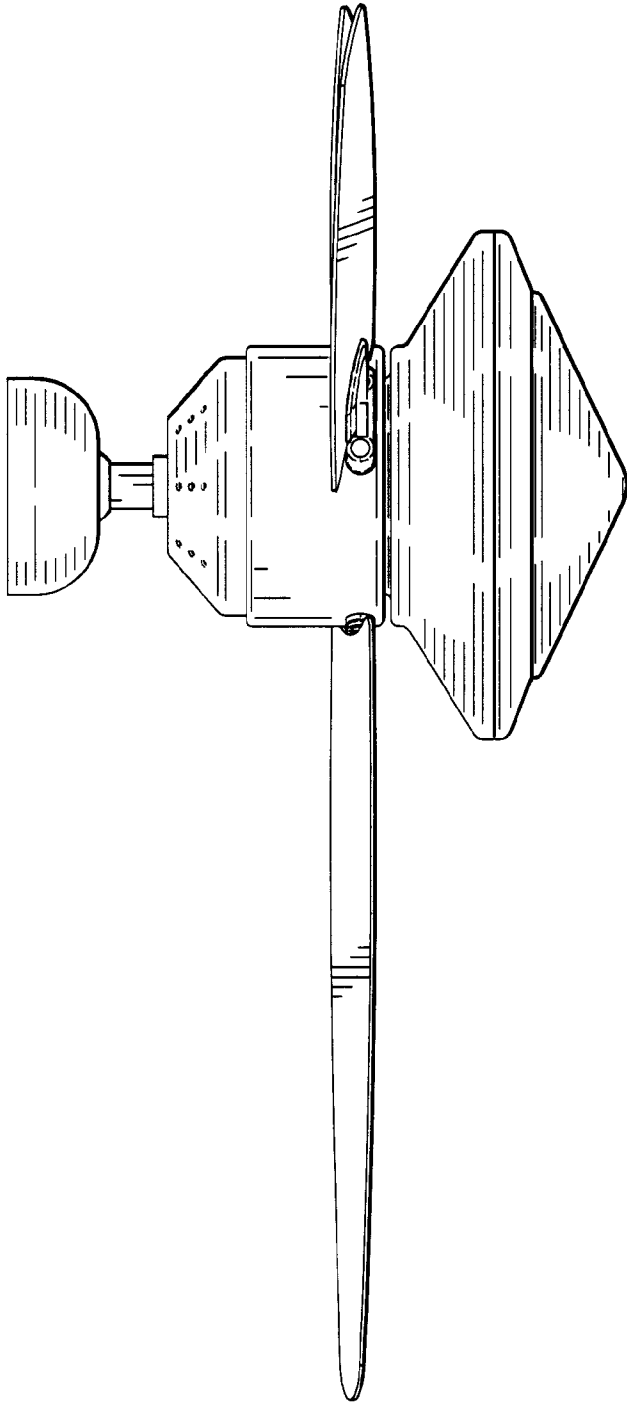
**FIG 1**



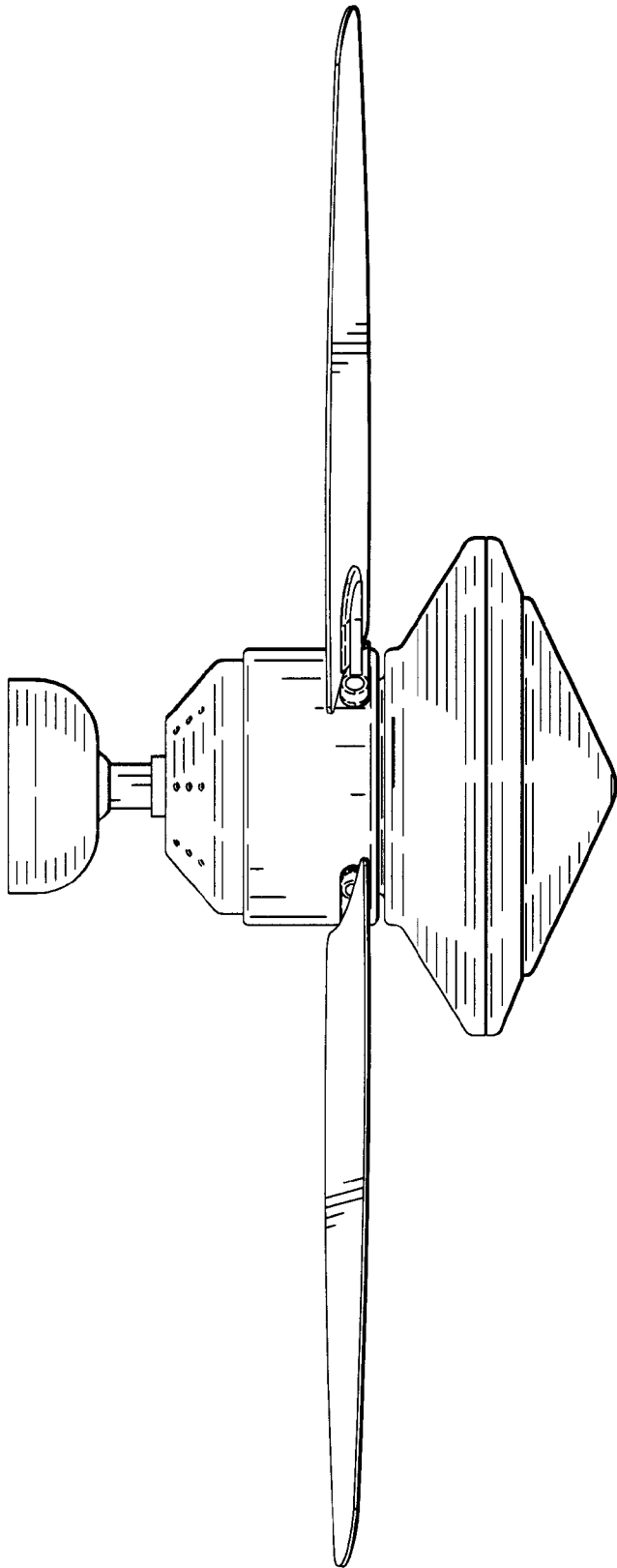
**FIG 2**



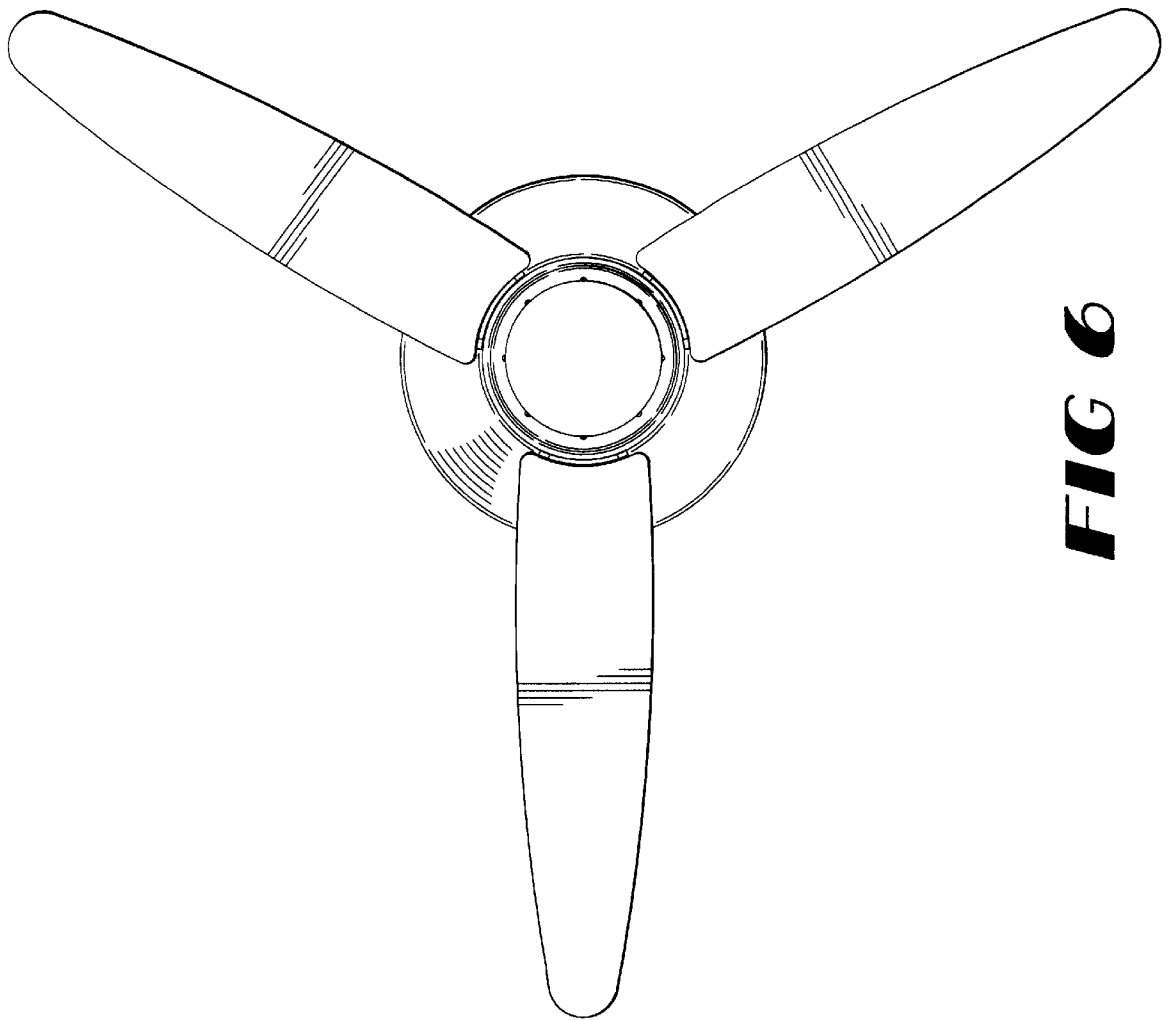
**FIG 3**



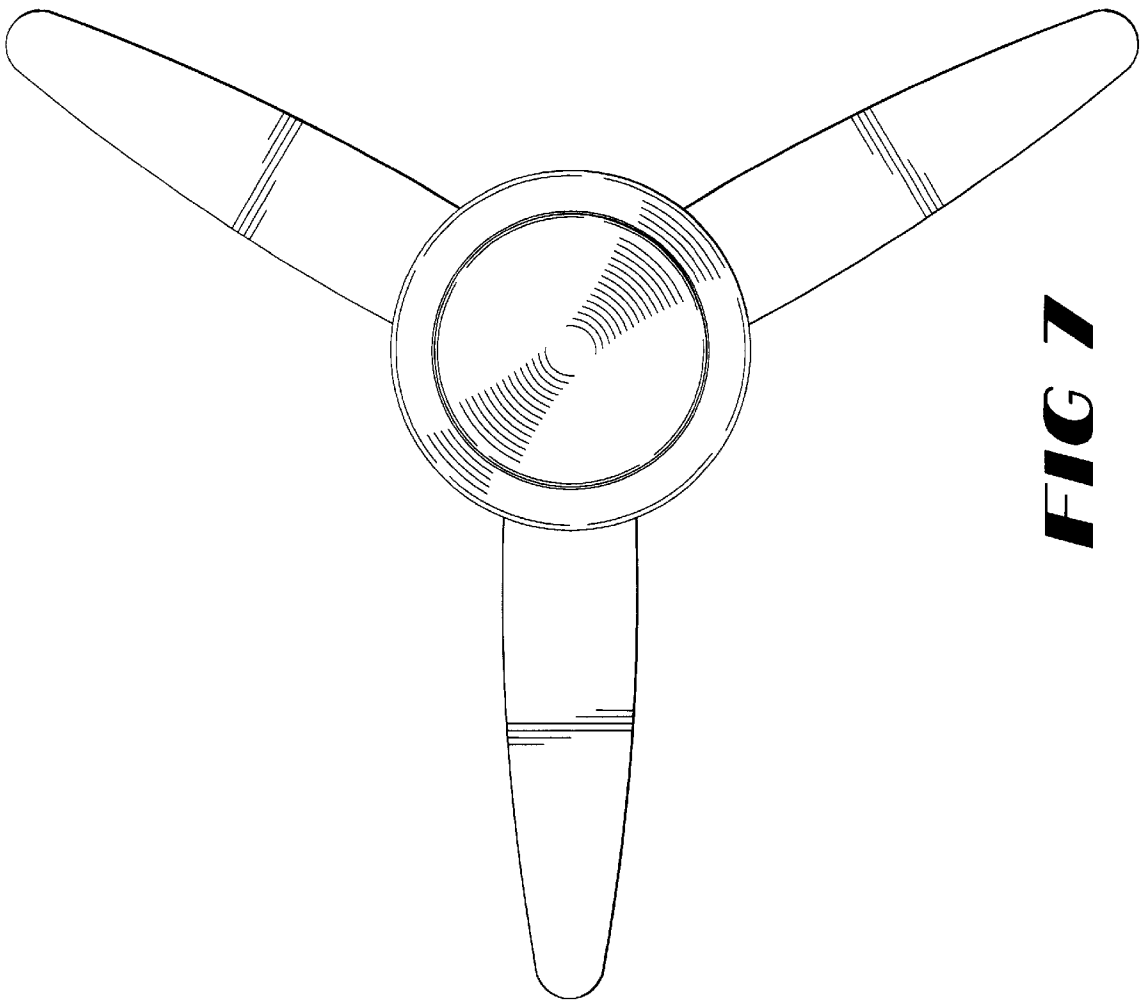
**FIG 4**



**FIG 5**

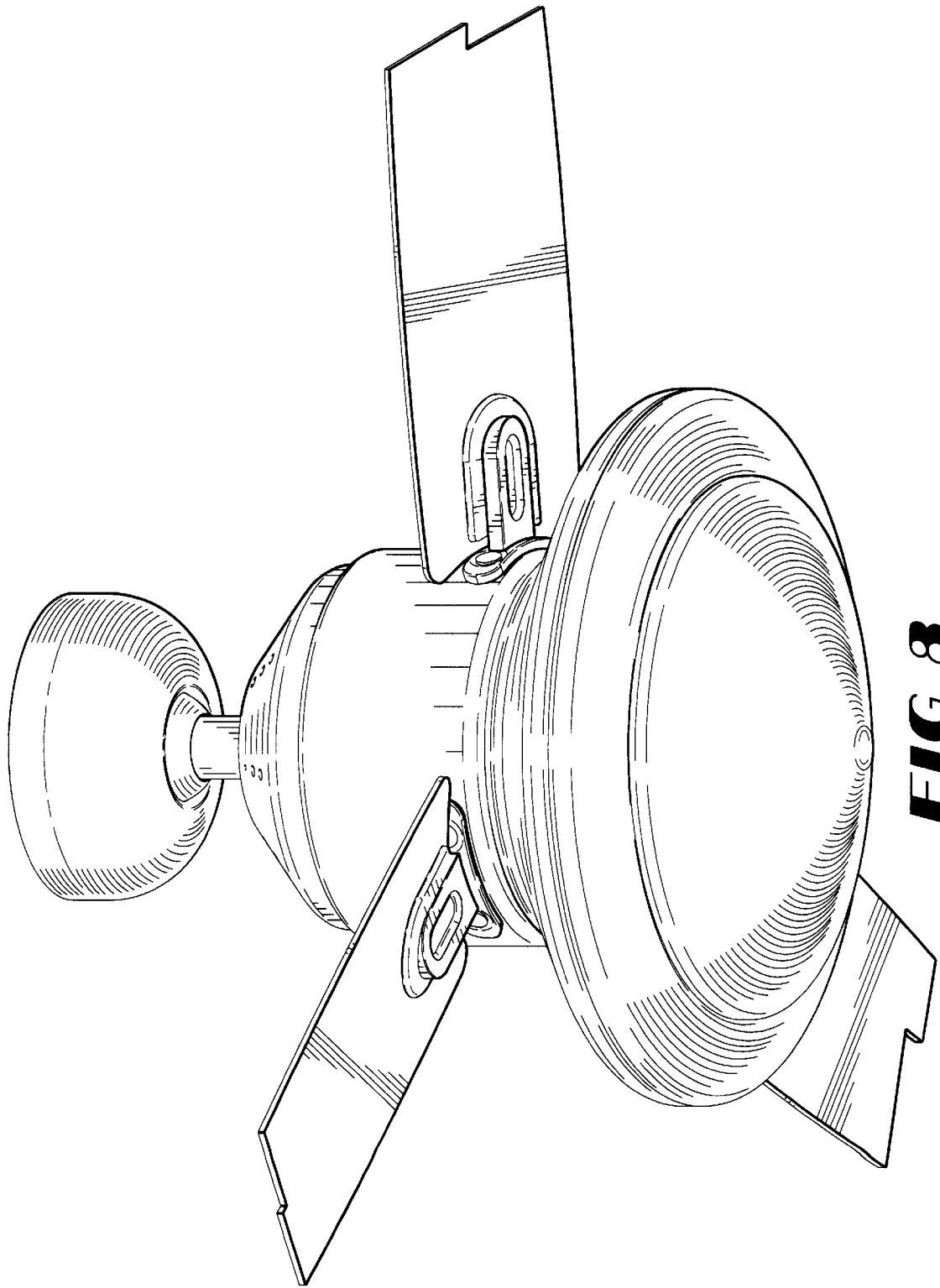


**FIG 6**



**FIG 7**





**FIG 8**