



US0D1002810S

(12) **United States Design Patent**  
**Stoler**

(10) **Patent No.:** **US D1,002,810 S**

(45) **Date of Patent:** **\*\* Oct. 24, 2023**

(54) **FAUCET**

(71) Applicant: **DELTA FAUCET COMPANY,**  
Indianapolis, IN (US)

(72) Inventor: **Benjamin Stoler,** Carmel, IN (US)

(73) Assignee: **DELTA FAUCET COMPANY,**  
Indianapolis, IN (US)

(\*\*) Term: **15 Years**

(21) Appl. No.: **29/777,276**

(22) Filed: **Apr. 5, 2021**

(51) **LOC (14) Cl.** ..... **23-01**

(52) **U.S. Cl.**  
USPC ..... **D23/242**

(58) **Field of Classification Search**  
USPC ..... D23/238–242, 249–250, 252, 255, 257;  
D8/307–308  
CPC ..... E03C 1/04; E03C 1/0404; E03C 1/042;  
E03C 2001/0415; Y10T 137/9464; F16K  
31/60; F16K 31/607  
See application file for complete search history.

(56) **References Cited**

**U.S. PATENT DOCUMENTS**

D667,937 S \* 9/2012 Liao ..... D23/257  
D950,018 S \* 4/2022 Stoler ..... D23/242

D956,935 S \* 7/2022 Elser ..... D23/255  
D961,736 S \* 8/2022 Kim ..... D23/241  
D963,805 S \* 9/2022 Liao ..... D23/242  
D979,018 S \* 2/2023 Zhang ..... D23/241  
D991,411 S \* 7/2023 Miller ..... D23/255

\* cited by examiner

*Primary Examiner* — Robert A Delehanty

(74) *Attorney, Agent, or Firm* — Jeffrey L. Doyle

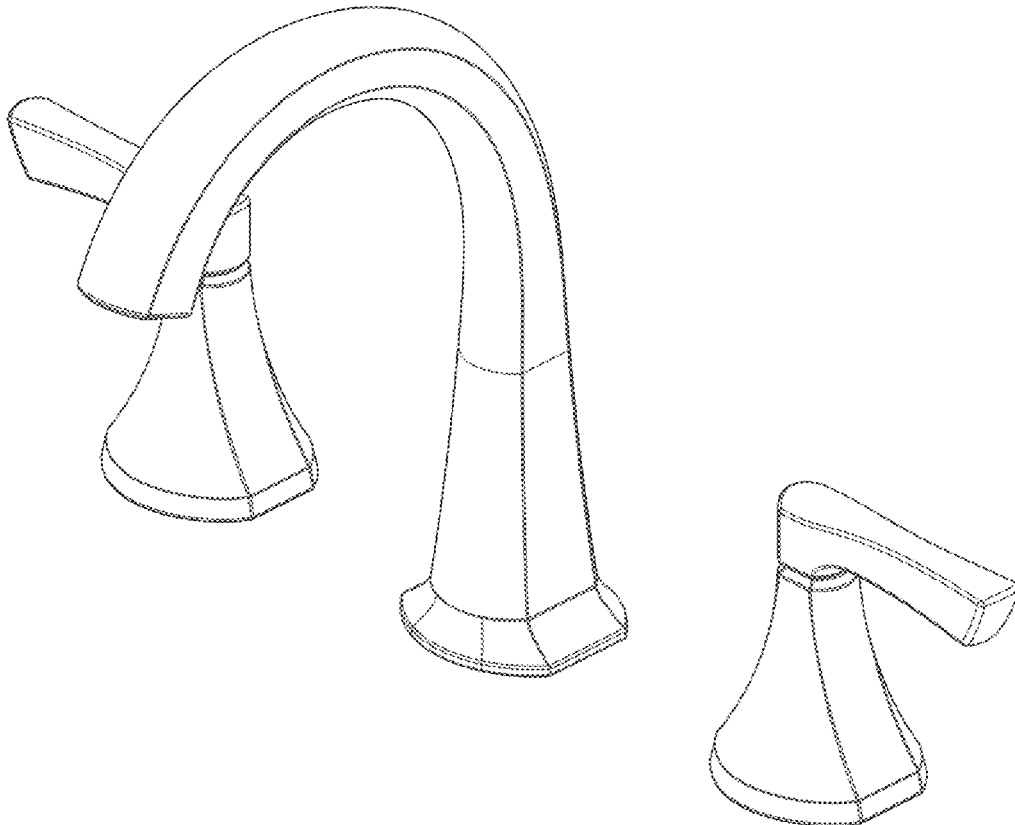
(57) **CLAIM**

The ornamental design for a faucet, as shown and described.

**DESCRIPTION**

FIG. 1 is a front perspective view of a faucet showing our new design;  
FIG. 2 is a rear perspective view thereof.  
FIG. 3 is a front elevational view thereof;  
FIG. 4 is a left side view thereof;  
FIG. 5 is a rear view thereof;  
FIG. 6 is a right side view thereof; and,  
FIG. 7 is a top plan view thereof.

**1 Claim, 4 Drawing Sheets**



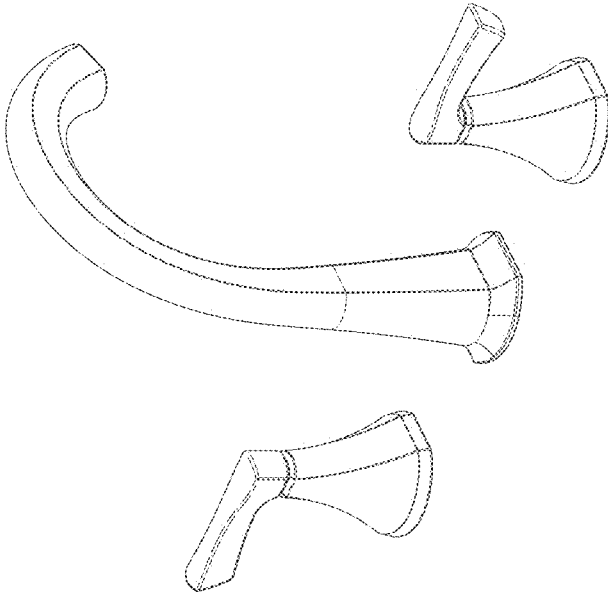


FIG - 2

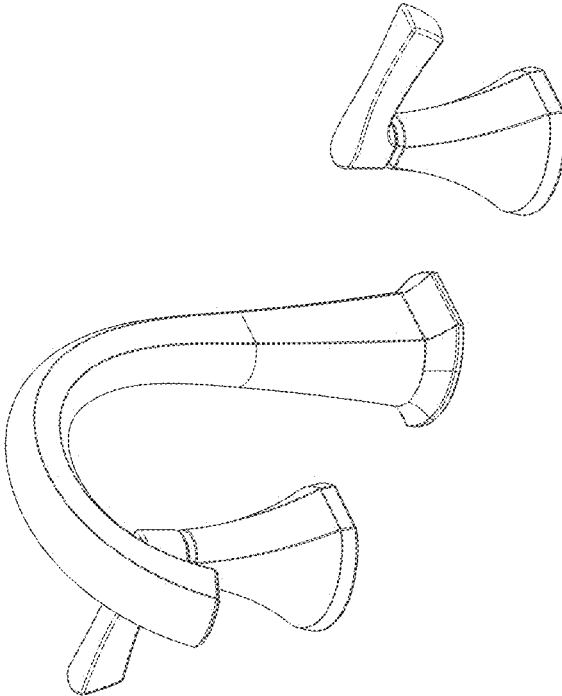


FIG - 1

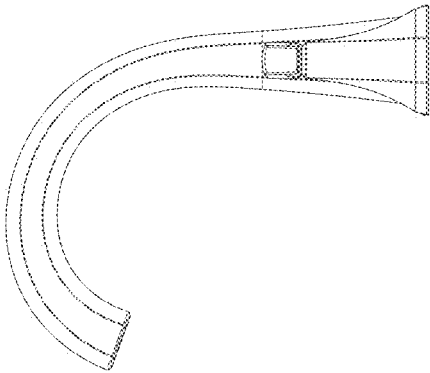


FIG - 4

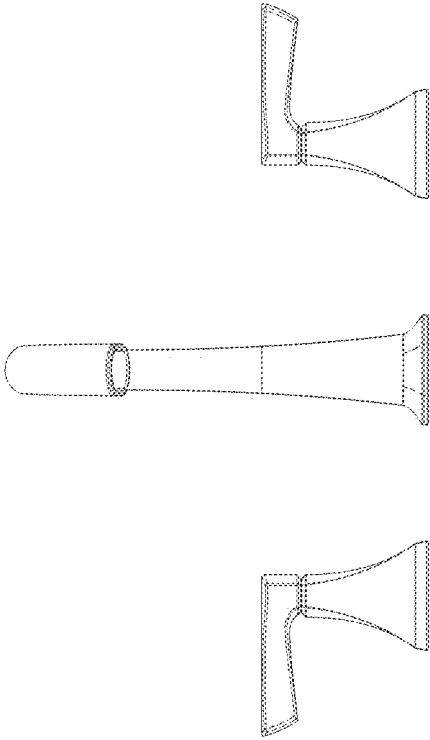


FIG - 3

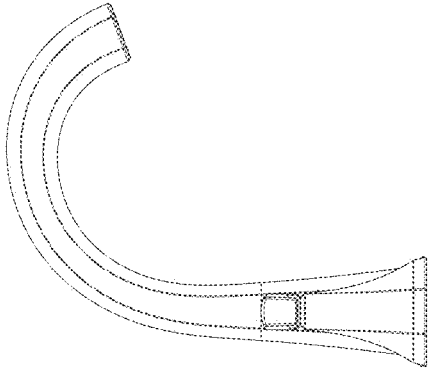


FIG - 6

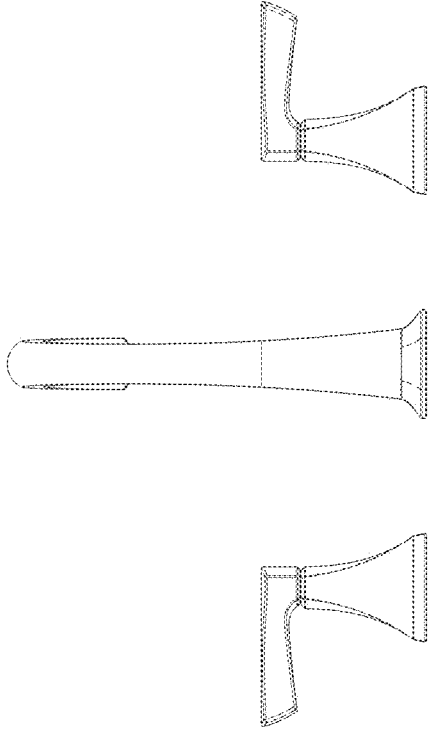


FIG - 5

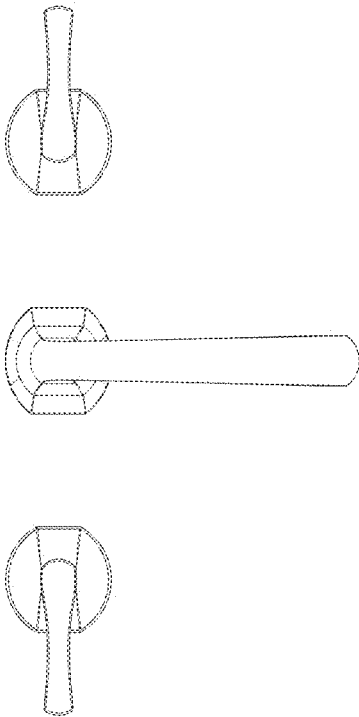


FIG - 7