



US00D865467S

(12) **United States Design Patent**
Tsai

(10) **Patent No.:** **US D865,467 S**

(45) **Date of Patent:** **** Nov. 5, 2019**

(54) **EXTENDABLE LOCKABLE PLIERS**

(71) Applicant: **Chien Yu Hong Co., Ltd.**, Taichung (TW)

(72) Inventor: **Chang-Ta Tsai**, Taichung (TW)

(73) Assignee: **Chien Yu Hong Co., Ltd.**, Taichung (TW)

(**) Term: **15 Years**

(21) Appl. No.: **29/650,483**

(22) Filed: **Jun. 7, 2018**

(51) **LOC (12) Cl.** **08-05**

(52) **U.S. Cl.**
USPC **D8/52**

(58) **Field of Classification Search**
USPC D8/1, 4, 5, 7, 9, 51, 52, 54, 56, 58, 60
CPC B25B 7/00; B25B 7/02; B25B 7/04; B25B 7/06; B25B 7/08; B25B 7/10; B25B 7/123; B25B 7/16; B25B 25/005; H01R 43/22

See application file for complete search history.

(56) **References Cited**

U.S. PATENT DOCUMENTS

273,382	A *	3/1883	Packham	B25B 7/02 72/409.19
D245,751	S *	9/1977	Wiener	D8/52
4,708,034	A *	11/1987	Oetiker	B25B 7/00 81/9.3
D392,167	S *	3/1998	Cockrell	D8/22
D406,031	S *	2/1999	Toshima	D8/52
6,412,375	B1 *	7/2002	Wang	B25B 7/02 254/18
D596,910	S *	7/2009	Whitehead	D8/52
D715,121	S *	10/2014	Lai	D8/52
D715,122	S *	10/2014	Lai	D8/52
D758,816	S *	6/2016	Sonne	D8/52

D766,683	S *	9/2016	West	D8/4
D775,914	S *	1/2017	Robinson	D8/52
D775,915	S *	1/2017	Robinson	D8/52
10,016,882	B1 *	7/2018	Lai	B25B 25/005
D848,807	S *	5/2019	Chen	D8/52
2008/0041198	A1 *	2/2008	Wu	B25B 7/04 81/486
2009/0007734	A1 *	1/2009	Lulewicz	B25B 7/00 81/415
2009/0064823	A1 *	3/2009	Huang	B25B 25/005 81/9.3
2010/0058895	A1 *	3/2010	Wu	B25B 7/123 81/9.3
2010/0101379	A1 *	4/2010	Hofmann	B25B 7/02 81/423
2010/0107823	A1 *	5/2010	Wu	B25B 7/123 81/9.3
2013/0228046	A1 *	9/2013	Wu	B25B 7/02 81/9.3
2015/0202745	A1 *	7/2015	Chen	B25B 7/16 81/319

(Continued)

Primary Examiner — Sheryl Lane
Assistant Examiner — Ieisha N Price
(74) *Attorney, Agent, or Firm* — Alan D. Kamrath; Karin L. Williams; Mayer & Williams PC

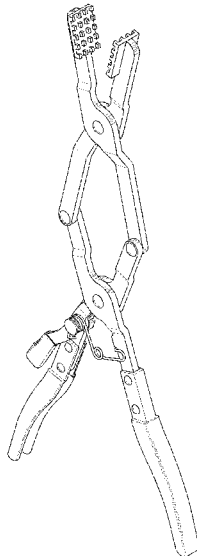
(57) **CLAIM**

The ornamental design for extendable lockable pliers, as shown.

DESCRIPTION

FIG. 1 is a perspective view of extendable lockable pliers showing my new design;
FIG. 2 is a front view thereof;
FIG. 3 is a rear view thereof;
FIG. 4 is a left view thereof;
FIG. 5 is a right view thereof;
FIG. 6 is a top view thereof; and,
FIG. 7 is a bottom view thereof.

1 Claim, 6 Drawing Sheets



(56)

References Cited

U.S. PATENT DOCUMENTS

2015/0303638 A1* 10/2015 Collie H01R 43/22
81/420

* cited by examiner

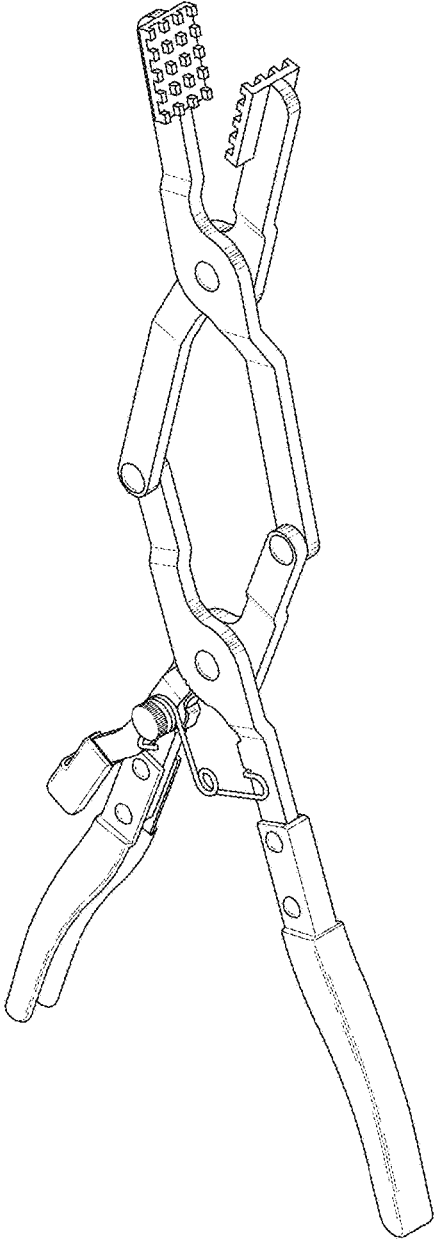


FIG.1

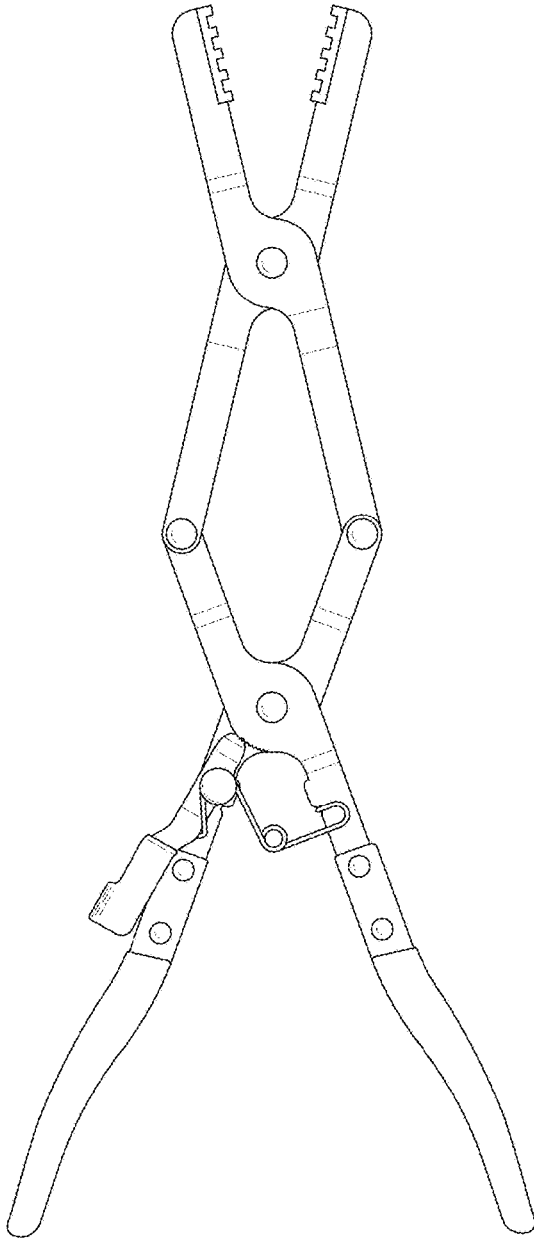


FIG.2

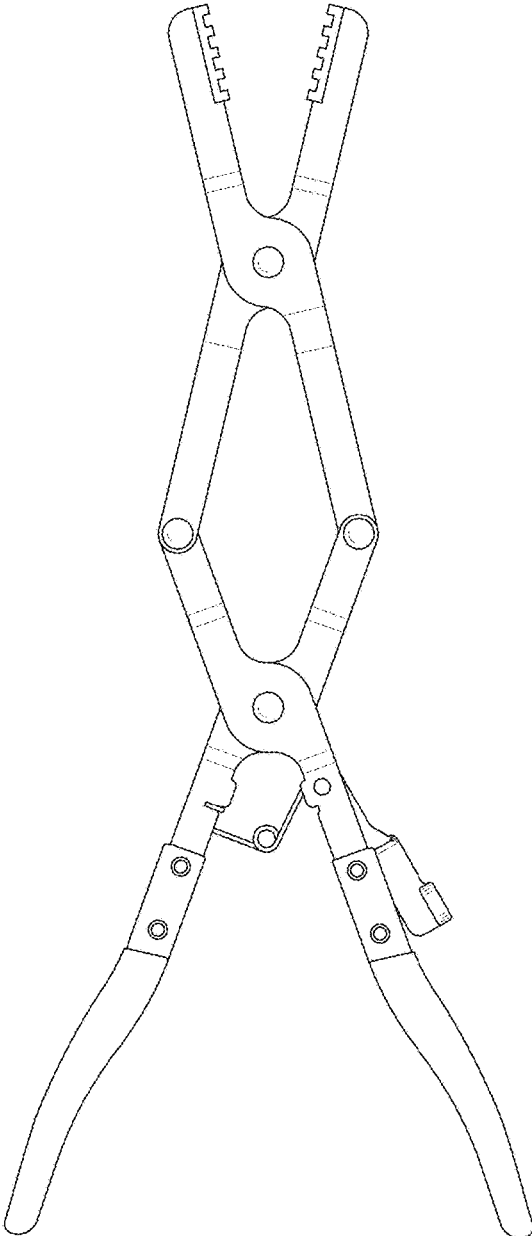


FIG.3

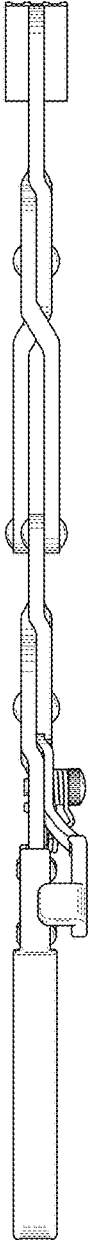


FIG.4

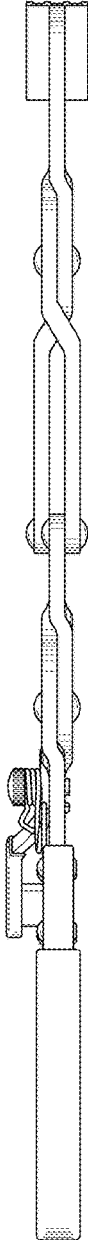


FIG.5

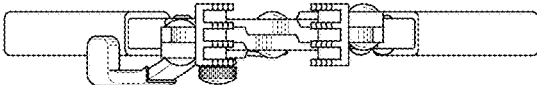


FIG.6

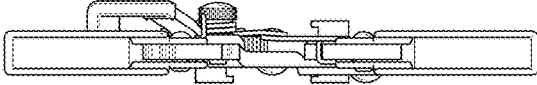


FIG.7