



US00D516899S

(12) **United States Design Patent**
Anderson et al.

(10) **Patent No.:** **US D516,899 S**

(45) **Date of Patent:** **** Mar. 14, 2006**

(54) **SMALL LOOP HOOK**

(75) Inventors: **Torrence Anderson**, Overland Park, KS (US); **Adam Thomas**, Wheaton, IL (US)

(73) Assignee: **Suncast Corporation**, Batavia, IL (US)

(**) Term: **14 Years**

(21) Appl. No.: **29/202,957**

(22) Filed: **Apr. 6, 2004**

(51) **LOC (8) Cl.** **08-05**

(52) **U.S. Cl.** **D8/367**

(58) **Field of Classification Search** D8/367, D8/370, 373; 248/302-303, 215
See application file for complete search history.

(56) **References Cited**

U.S. PATENT DOCUMENTS

401,683 A * 4/1889 Buell 248/303
D301,406 S * 6/1989 Barbieri et al. D6/323

D315,860 S * 4/1991 Joss et al. D8/367
D327,641 S * 7/1992 Hoskinson et al. D8/370
D406,485 S * 3/1999 Paikos et al. D6/566
2002/0088911 A1 * 7/2002 Kao 248/302

* cited by examiner

Primary Examiner—Holly H. Baynham

(74) *Attorney, Agent, or Firm*—McHale & Slavin, P.A.

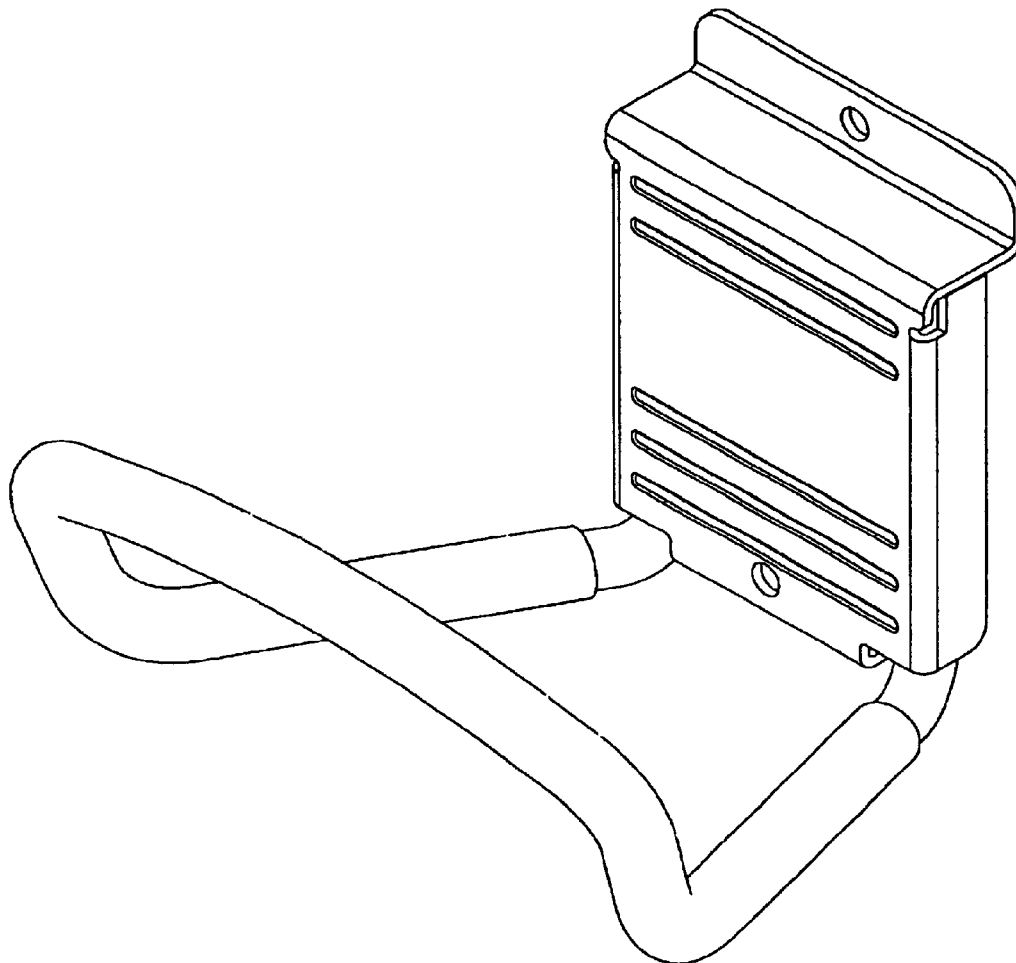
(57) **CLAIM**

The ornamental design for a small loop hook, as shown and described.

DESCRIPTION

FIG. 1 is a perspective view of the small loop hook of the instant invention;
FIG. 2 is a front elevation view thereof;
FIG. 3 is a rear view thereof;
FIG. 4 is a right side view thereof;
FIG. 5 is a left side view thereof;
FIG. 6 is a top view thereof; and,
FIG. 7 is a bottom view.

1 Claim, 4 Drawing Sheets



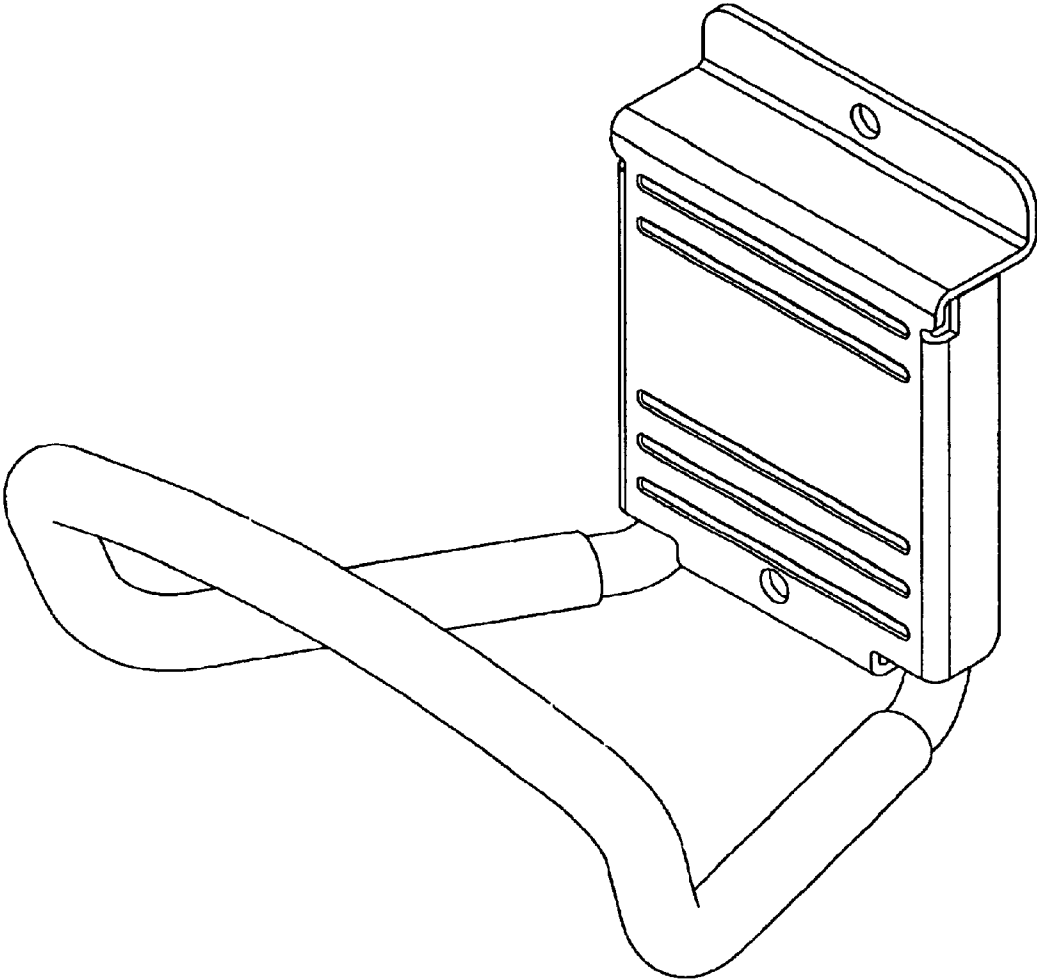


FIGURE 1

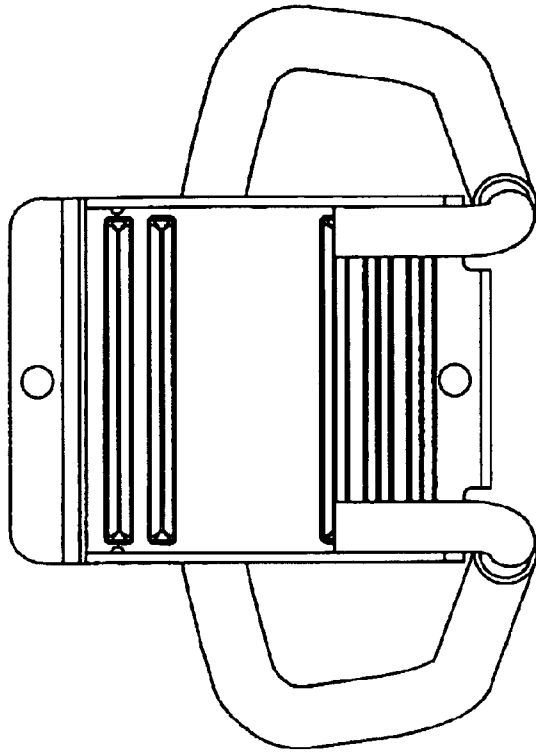


FIGURE 3

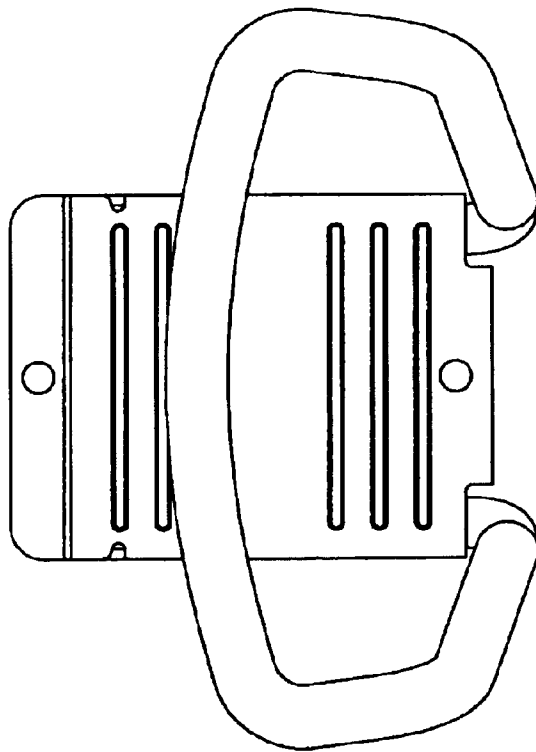


FIGURE 2

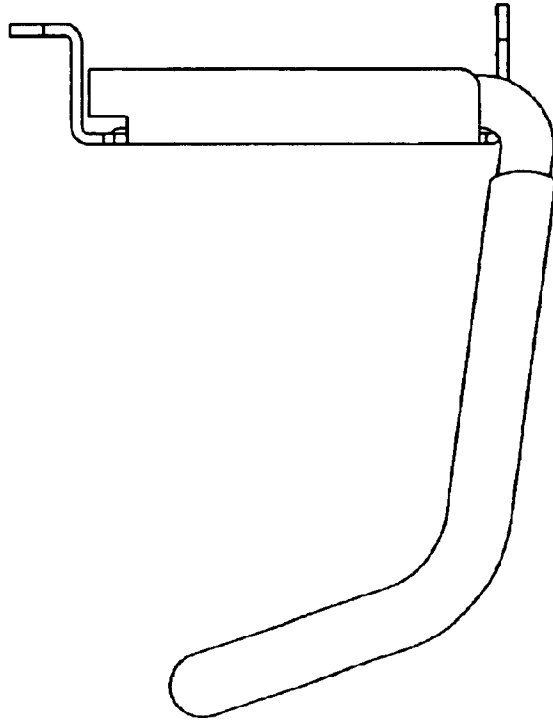


FIGURE 5

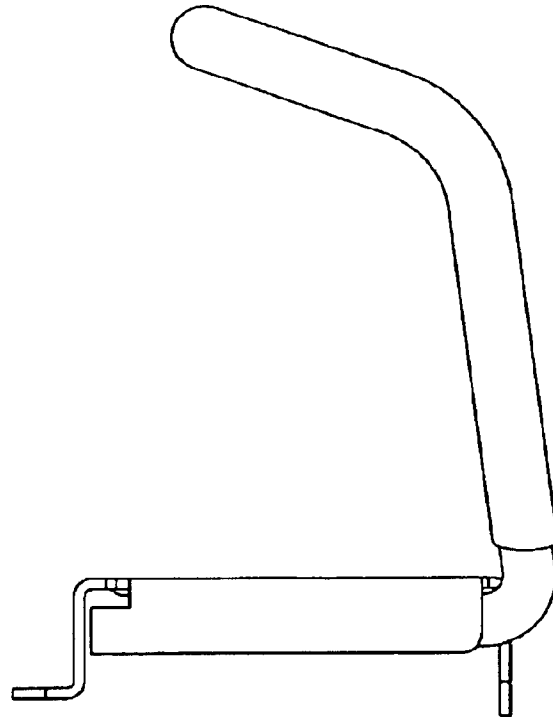


FIGURE 4

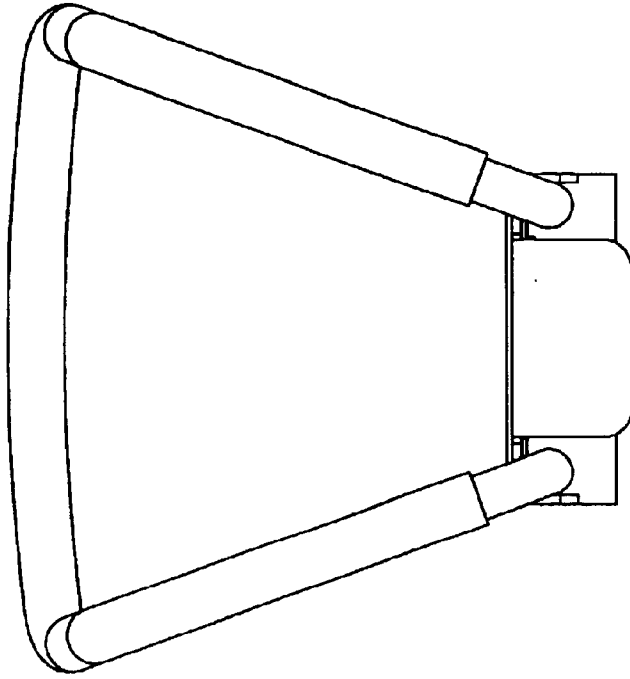


FIGURE 7

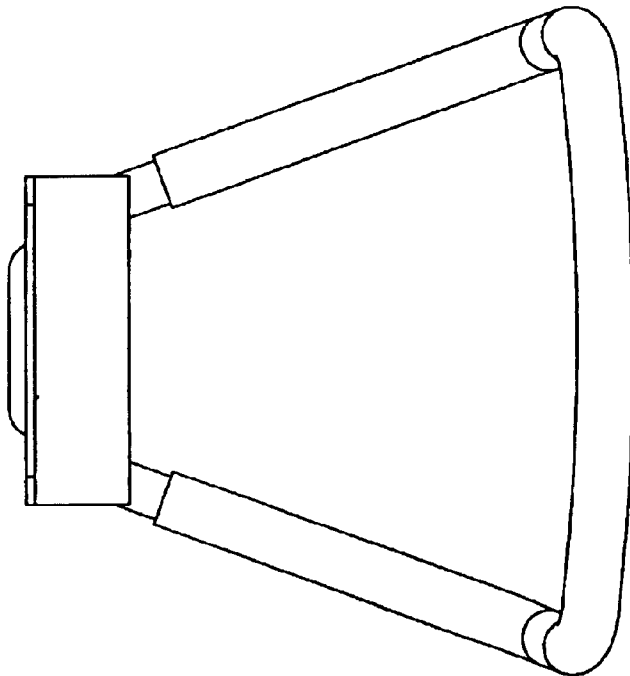


FIGURE 6