



US0D1035447S

(12) **United States Design Patent**
Buck

(10) **Patent No.:** **US D1,035,447 S**

(45) **Date of Patent:** **** Jul. 16, 2024**

- (54) **JAR**
- (71) Applicant: **Central Bag & Burlap Co.**, Denver, CO (US)
- (72) Inventor: **Jeremiah Buck**, Denver, CO (US)
- (73) Assignee: **CENTRAL BAG & BURLAP CO.**, Denver, CO (US)
- (**) Term: **15 Years**
- (21) Appl. No.: **29/771,145**
- (22) Filed: **Feb. 19, 2021**

Related U.S. Application Data

- (60) Continuation of application No. 29/757,600, filed on Nov. 6, 2020, now abandoned, which is a division of application No. 29/637,411, filed on Feb. 18, 2018, now Pat. No. Des. 901,305.

(51) **LOC (14) Cl.** **09-01**

(52) **U.S. Cl.**

USPC **D9/560; D9/574**

(58) **Field of Classification Search**

USPC D9/432, 434-436, 452, 516, 529, 544, D9/546, 559, 560, 564, 565, 570-575, D9/715, 719; D28/4, 7, 76, 83

CPC B65D 2/0204; B65D 2501/0081; A45D 40/0068; A45D 33/006; A45D 33/003; A45D 2200/1026

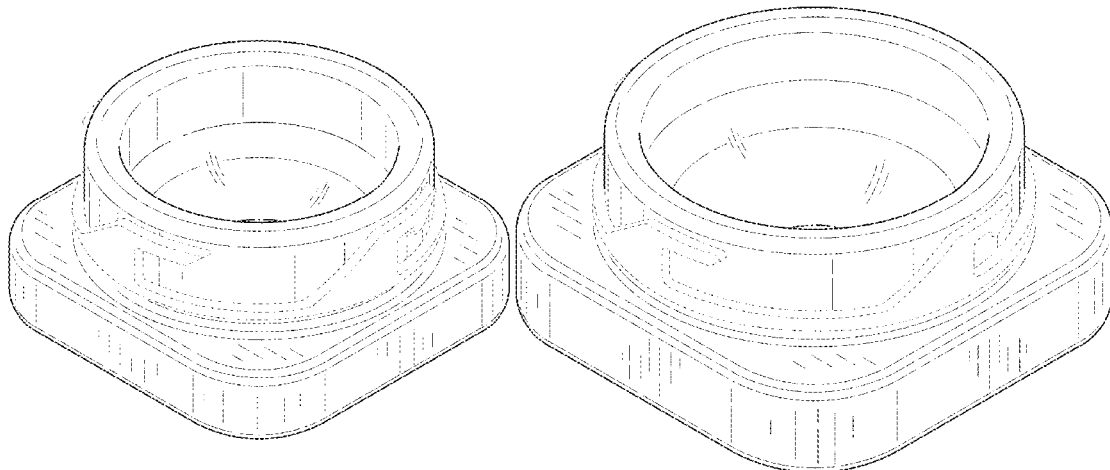
See application file for complete search history.

(56) **References Cited**

U.S. PATENT DOCUMENTS

D34,061 S 2/1901 Scattergood
 D65,326 S 7/1924 Cahalane
 2,076,551 A 4/1937 Conner
 2,077,215 A 4/1937 Conner
 2,077,216 A 4/1937 Conner
 D171,516 S 2/1954 Otto
 2,711,766 A 6/1955 Archer
 3,311,248 A 3/1967 Marchant
 D237,361 S 10/1975 Picker

4,020,965 A 5/1977 Northup
 5,197,616 A 3/1993 Buono
 D441,284 S 5/2001 Saur et al.
 D442,864 S 5/2001 Davies
 D453,473 S 2/2002 Del Bianco
 D484,646 S * 12/2003 Ditrichstein D28/83
 D493,721 S 8/2004 Puigbo
 D498,424 S 11/2004 Moretti
 D505,625 S 5/2005 Servaux et al.
 D506,128 S 6/2005 Foi
 D519,837 S 5/2006 Sturk et al.
 D540,688 S 4/2007 Lascaux
 D554,367 S 11/2007 Chou et al.
 D555,013 S 11/2007 Bartolone et al.
 D563,235 S 3/2008 Canamasas Puigbo
 D563,795 S 3/2008 Canamasas Puigbo
 D570,221 S 6/2008 Moretti
 D574,240 S 8/2008 Szczesniak
 D577,292 S 9/2008 Moretti
 D578,891 S 10/2008 Canamasas
 D579,784 S 11/2008 Verlet
 7,527,159 B2 5/2009 Brozell
 D595,577 S 7/2009 Ueno
 D598,297 S 8/2009 Rica
 D604,630 S 11/2009 Canamasas Puigbo
 7,815,061 B1 10/2010 Robinson et al.
 D633,386 S 3/2011 Taber et al.
 D634,202 S 3/2011 Zamberlan et al.
 D635,030 S 3/2011 L'Abbate
 D638,300 S 5/2011 L'Abbate
 D641,257 S 7/2011 Thiebaut et al.
 D645,749 S 9/2011 Lee
 D652,301 S 1/2012 Pelkey
 8,205,761 B2 6/2012 Stull, Sr. et al.
 D672,554 S * 12/2012 Penttinen D3/273
 D679,990 S 4/2013 O'Brien et al.
 D687,299 S 8/2013 Peykoff et al.
 8,672,158 B2 3/2014 Taber et al.
 9,045,265 B2 6/2015 Adamczak
 D739,741 S 9/2015 Staab
 D742,593 S * 11/2015 Corey D28/83
 D742,756 S 11/2015 DeVore et al.
 D746,627 S 1/2016 Puigbo
 D755,051 S 5/2016 Otani et al.
 D768,936 S * 10/2016 Yoshida D28/83
 D768,937 S * 10/2016 Yoshida D28/83
 D781,151 S 3/2017 Lerman
 D786,078 S * 5/2017 Futagami D28/83
 D787,895 S 5/2017 Kilduff et al.
 D795,705 S 8/2017 Huang
 D797,559 S 9/2017 Lerman
 D799,328 S * 10/2017 Canamasas Puigbo D9/560
 D803,687 S 11/2017 Fernandez et al.



D808,080	S *	1/2018	Corey	D28/83
D821,216	S	6/2018	Weinrich		
D837,094	S *	1/2019	Hung	D11/152
D853,240	S	7/2019	Steel		
D869,279	S	12/2019	Stoneberg		
D870,560	S	12/2019	Yoshioka		
D901,305	S *	11/2020	Buck	D9/560
D920,103	S *	5/2021	Griffin	D9/434
D920,104	S	5/2021	Griffin et al.		
D996,720	S *	8/2023	Kim	D28/76
2005/0074528	A1	4/2005	Servaux et al.		
2005/0082180	A1 *	4/2005	Smouha	B65D 81/363 206/301
2008/0308518	A1	12/2008	Sprishen		
2008/0314900	A1	12/2008	Biesecker et al.		
2010/0307521	A1	12/2010	Pires et al.		
2011/0147334	A1	6/2011	Mettu et al.		
2015/0076103	A1	3/2015	Koller et al.		
2015/0122767	A1	5/2015	Mettu et al.		
2015/0122769	A1	5/2015	Taber et al.		
2015/0298866	A1	10/2015	Hagen		
2016/0030285	A1	2/2016	Miceli et al.		
2021/0298451	A1	9/2021	Coquard		

FOREIGN PATENT DOCUMENTS

CN	301921442	5/2012
CN	303603019	3/2016
FR	2720376	12/1995
FR	3062375	8/2018
JP	2001-158455	6/2001
KR	10-2017-0123946	11/2017
SI	9650055-0001	10/1996
TR	2005-01421	7/2005
WO	WO 83/02763	8/1983

OTHER PUBLICATIONS

Empty Refill Upscale Acrylic Lotion Vial: Site Visited (Aug. 29, 2023). Available from URL: https://www.amazon.com/Upscale-Acrylic-Cosmetic-Packing-Container/dp/B07P3HPBQK/ref=sr_l_2?crd=C90XGD9UESD8&keywords=Acrylic+Cosmetic+Upscale+Bottles&qid=1693327504&sprefix=acrylic+cosmetic+upscale+bottles%2Caps%2C117&sr=8-2.*

Plastic Tiny Jars: Site Visited (Aug. 30, 2023). Available from URL: https://www.amazon.com/Plastic-Cosmetic-Bottles-Storage-Container/dp/B07C4THTXL/ref=sr_l_2?crd=3KTJ81NOM42NE&keywords=Small+Square+Cosmetic+Vial&qid=1693403471&sprefix=small+square+cosmetic+vial%2Caps%2C93&sr=8-2#customerReviews.*

Skylet Glass Cosmetic Jars: Announced (Apr. 13, 2023; online). Site Visited (Aug. 30, 2023). Available from URL: https://www.amazon.com/dp/B0C2BSGM8F/ref=sspa_dk_detail_0?psc=1&pd_rd_j=B0C2BSGM8F&pd_rd_w=7oAxR&content-id=amzn1.sym.eb7c1ac5-7c51-4df5-ba34-ca810f1f19a&pf_rd_p=eb7c1ac5-7c51-4df5-ba34-ca810f1f19a&pf_rd_r=0NQYZVG2E098E80S5XZS&pd_rd_wg=qKMHC&pd_rd_r=44321a0f-9e68-4074-8ac0-89f034a0f42d&s=beauty&sp_csd=d2lk22V0Tm.*

Green Nexus Square Clear Glass Jars: Announced (Jun. 7, 2021; online). Site Visited (Aug. 30, 2023). Available from URL: https://www.amazon.com/Packs-Green-Nexus-Square-Cosmetics/dp/B09IBWMMTP/ref=cm_cr_ar_p_d_product_top?ie=UTF8&th=1.*

Square Glass Jar: Announced (Aug. 15, 2023; online). Site Visited (Aug. 28, 2023). Available from URL: https://www.aliexpress.us/item/3256805676530097.html?src=google&aff_fcid=6863a76918f6447ca22142661e8704ae-1693404866716-02857-1693404866716-02857-UneMJZVf&aff_platform=aaf&sk=UneMJZVf&aff_trace_key=6863a76918f6447ca22142661e8704ae-1693404866716-02857-UneMJZVf&terminal_id=d8de7da66e334728bc3ea81b2b0d07d8&afSmartRedire.*

Thick Black Glass Square Cube Containers with Child Resistant Lids: Announced (Aug. 18, 2023; online). Site Visited (Aug. 30, 2023). Available from URL: <https://www.premiumvials.com/250-pack-9ml-thick-black-glass-square-cube-containers-with-black-child-resistant-lids-concentrate-jars-for-oil-lip-balm-wax-cosmetics/>.*

Square Glass Concentrate Jars: Announced (Jun. 10, 2020; online). Site Visited (Aug. 30, 2023). Available from URL: <https://www.amazon.com/SQUARE-Glass-Concentrate-Child-Resistant/dp/B089ZMD4Q3?th=1>.*

“53 DRAM (6.6Oz) White HDPE 80mm CRC Jar,” Burch Bottle & Packaging, 2022, retrieved from <https://www.burchbottle.com/53-Dram-6.6oz-White-HDPE-80mm-CRC-Jar>, 4 pages.

“7ml Cube Jar Glass Containers w/Dual Compartments (3.5ml each compartment) (60 Pack),” Premium Vials, 2022, retrieved from <https://www.premiumvials.com/7ml-cube-jar-glass-containers-w-dual-compartments-3-5ml-each-compartment-60-pack-square-jar-black-lid>, 7 pages.

“Child Proof 9ml Cube Jar Glass Containers (60 Pack)—Square Jars (White Lid),” CannaAroma Store at Amazon.com, Aug. 6, 2020, retrieved from https://www.amazon.com/dp/B08QVHGY82/ref=sspa_dk_detail_0, 8 pages.

“Qube Split,” MMC Depot, 2022, retrieved from <https://www.mmcdpot.com/qube-concentrates>, 7 pages.

Official Action for U.S. Appl. No. 29/766,527, dated Sep. 15, 2022, 7 pages. Restriction Requirement.

Official Action for U.S. Appl. No. 29/766,527, dated Dec. 23, 2022, 8 pages.

Official Action for U.S. Appl. No. 29/757,600, dated Jun. 29, 2021, 10 pages.

U.S. Appl. No. 29/757,600, filed Nov. 6, 2020, Buck.

U.S. Appl. No. 29/766,527, filed Jan. 15, 2021, Buck.

“25 Cosmetic Containers Thick Wall Square Plastic Beauty Lip Balm Jars Makeup Packaging—10 Gram MI (Black Lids) 3088-25 | Free US Shipping,” Etsy.com, 2017, retrieved from <https://www.etsy.com/listing/178816741/25-cosmetic-containers-thick-wall-square?ref=reviews>, 10 pages.

“3 Pes Clear Acrylic Square Cosmetic Jar with Black Cap Empty Upscale Sample Bottles Containers for Storage Lotion Facial Cream Mask size 50ML/1.7Oz,” Amazon.com, 2020, retrieved from <https://www.amazon.com/Acrylic-Cosmetic-Upscale-Bottles-Containers/dp/B07R5DWXWZ>, 7 pages.

“5g 15g 30g 50g Square Cosmetic Acrylic Jar Face Cream Container,” Songmile, 2020, retrieved from https://www.song-mile.com/products/products-view_783.html, 4 pages.

“7 mL Clear Glass Low Profile Jar 38-400,” Container & Packaging Supply, Inc., Mar. 2016, retrieved from www.containerandpackaging.com/item/G009C, 3 pages.

“Child Resistant Plastic Caps,” Alameda Packaging, 2016, retrieved from https://www.alamedapackaging.com/Catalog/Caps/Plastic_Caps/NonDispensing_Caps/181/Child_Resistant_Plastic_Caps.html, 19 pages.

“Clear color 5ml glass jar tempered glass storage jars dab wax jar container oil concentrate & cosmetic cream container,” Dhgate.com © 2015, retrieved from www.dhgate.com/product/clear-color-5ml-glass-jar-tempered-glass/238531495.html, 2 pages.

“EL-28595 Drawings,” Distributed by McKernan Packaging Clearing House to Customers starting Mar. 21, 2011, 2 pages.

“EL-28595,” McKernan Packaging Clearing House Website as it appeared on Archive.org, Oct. 30, 2013, retrieved from <https://web.archive.org/web/20131030045106/http://mckernan.com/store/images/D/EL-28595.jpg>, 1 page.

“EL-32315,” McKernan Packaging Clearing House, 2017, retrieved from mckernan.com/products/glass-jars/el-32315, 6 pages.

“Feb. 2012 Hot Deals,” McKernan Packaging Clearing House Catalog, Feb. 2012. 1 page.

“Frosted Glass Low Profile Jar—7ml,” Saffire Blue, Inc. © 2016, retrieved from www.saffireblue.ca/shop/glass-jars/frosted-glass-jars/frosted-glass-low-profile-jar-7-ml, 2 pages.

“HolisticPackaging Company website,” Holistic Packaging Company, © 2011, retrieved from <http://holisticpackaging.com>, 4 pages.

“McKernan Adds Low Profile, Frosted Glass Jars,” Beauty Packaging, Jun. 2006, retrieved from http://www.beutypackaging.com/issues/2012-06/view_design-center/mckernan-adds-low-profile-frosted-glass-jars, 7 pages.

“Thick Wall Glass Concentrate Jars—Not CR Clear,” eBottles.com, Jul. 2014, retrieved from https://www.ebottles.com/showbottles-bottle-1689-kw-/THICK_WALL_GLASS_CONCENTRATE_JARS_NOT_CR_CLEAR.htm#, 2 pages.

“Two Piece Plastic, Saf-Cap IIIA, ASTM Type: IA,” Van Blarcom Closures Inc., 2004, 4 pages.

“White Child Resistant PE Lined “Push Down” Caps,” SKS Science Products, 2007, retrieved from www.sks-science.com/closures-p-2756.html, 1 page.

Official Action for Canada Patent Application No. 182997, dated Apr. 25, 2019 2 pages.

Official Action for U.S. Appl. No. 29/637,411, dated Mar. 6, 2019 6 pages Restriction Requirement.

Official Action for U.S. Appl. No. 29/637,411, dated May 16, 2019 6 pages.

Official Action for U.S. Appl. No. 29/637,411, dated Mar. 17, 2020 8 pages.

Official Action for U.S. Appl. No. 29/637,411, dated Sep. 25, 2020, 5 pages.

Official Action for U.S. Appl. No. 29/757,600, dated Jan. 1, 2021, 12 pages.

* cited by examiner

Primary Examiner — Catherine S Posthauer

(74) *Attorney, Agent, or Firm* — Sheridan Ross P.C.

(57)

CLAIM

The ornamental design for a jar, as shown and described.

DESCRIPTION

FIG. 1 is a perspective view of a jar according to a first embodiment of the claimed design;

FIG. 2 is a front elevation view of the jar of FIG. 1;

FIG. 3 is a rear elevation view of the jar of FIG. 1;

FIG. 4 is a right elevation view of the jar of FIG. 1;

FIG. 5 is a left elevation view of the jar of FIG. 1;

FIG. 6 is a top plan view of the jar of FIG. 1;

FIG. 7 is a bottom plan view of the jar of FIG. 1;

FIG. 8 is a perspective view of a jar according to a second embodiment of the claimed design;

FIG. 9 is a front elevation view of the jar of FIG. 8;

FIG. 10 is a rear elevation view of the jar of FIG. 8;

FIG. 11 is a right elevation view of the jar of FIG. 8;

FIG. 12 is a left elevation view of the jar of FIG. 8;

FIG. 13 is a top plan view of the jar of FIG. 8; and,

FIG. 14 is a bottom plan view of the jar of FIG. 8.

The broken lines are shown for the purpose of illustrating parts of the article that form no part of the claimed design.

The dot-dash lines represent the boundaries of the claim and form no part thereof.

1 Claim, 14 Drawing Sheets

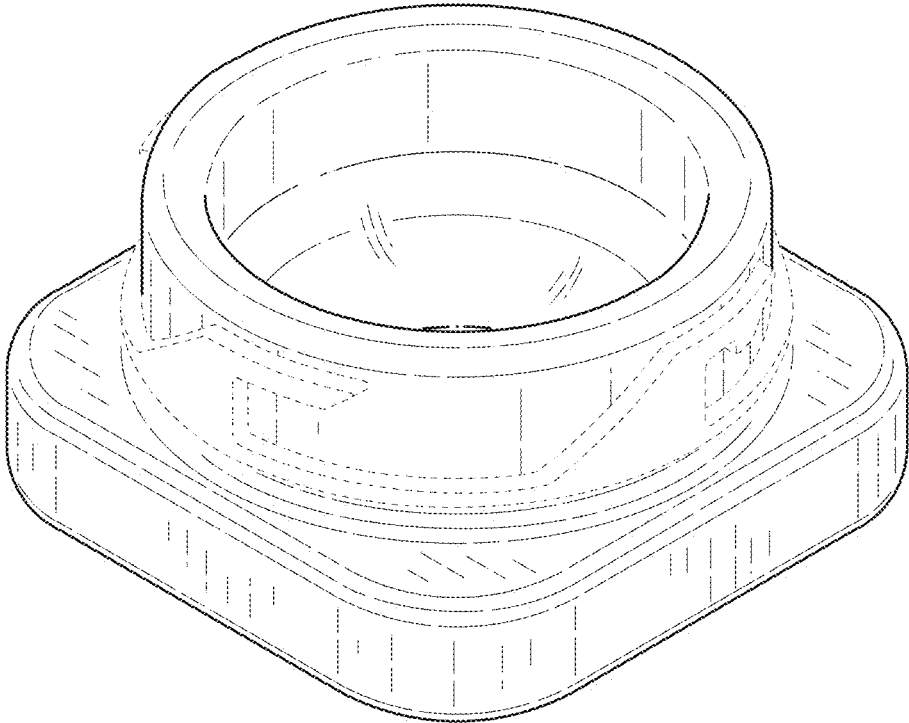


FIG.1

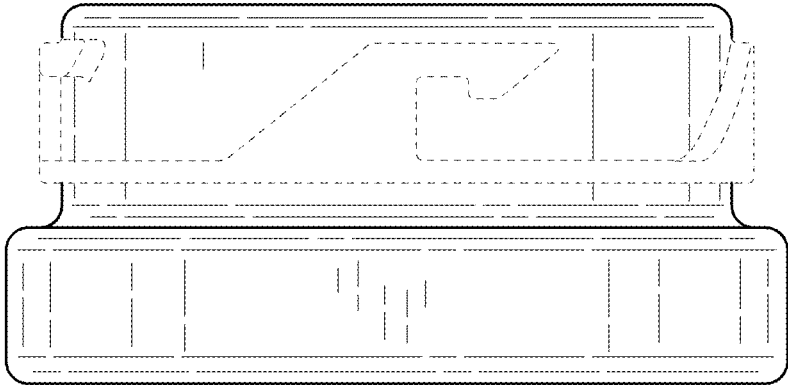


FIG.2

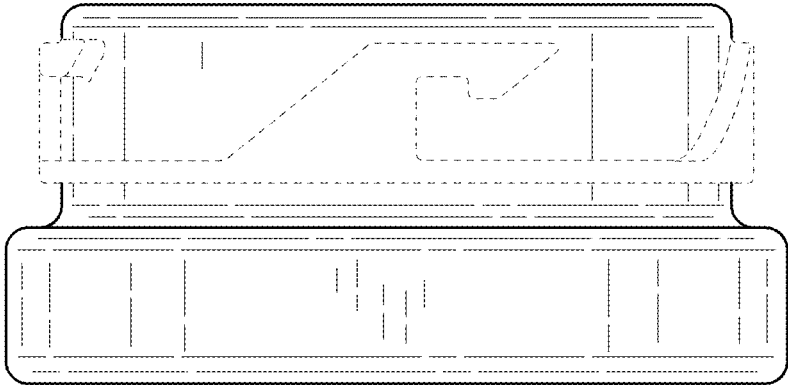


FIG.3

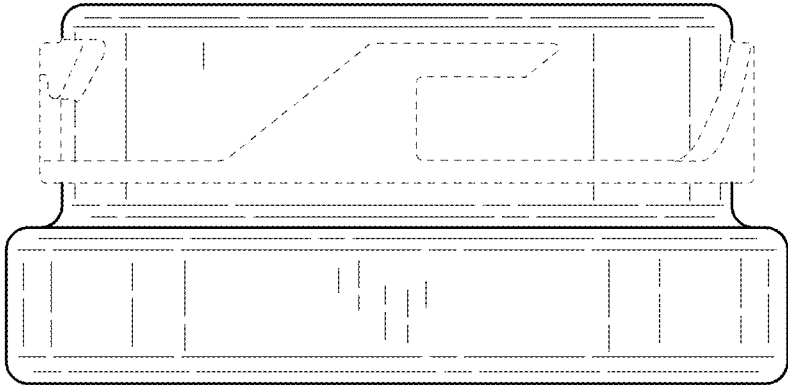


FIG.4

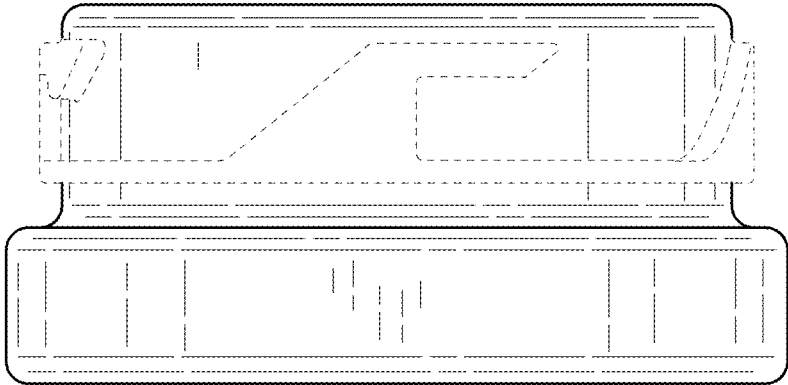


FIG.5

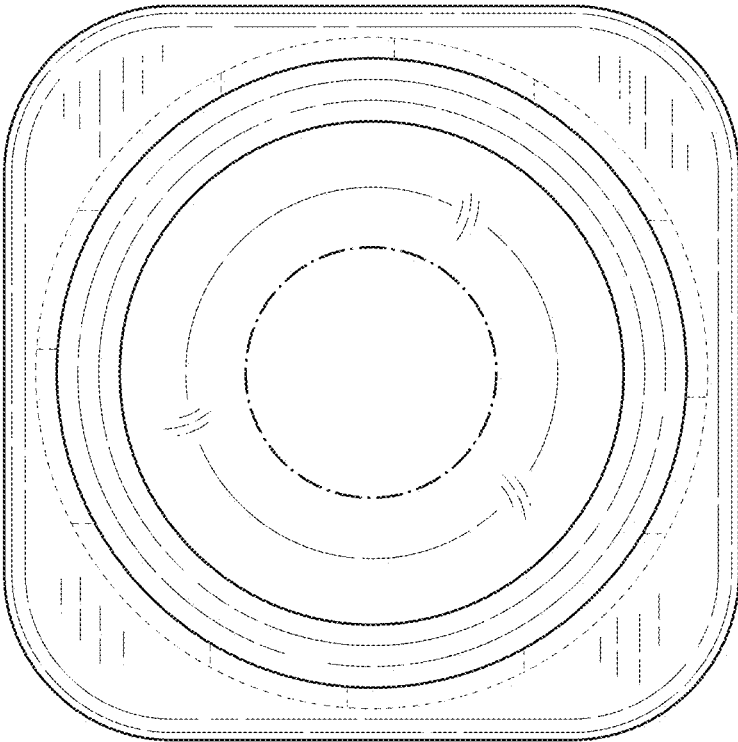


FIG.6



FIG.7

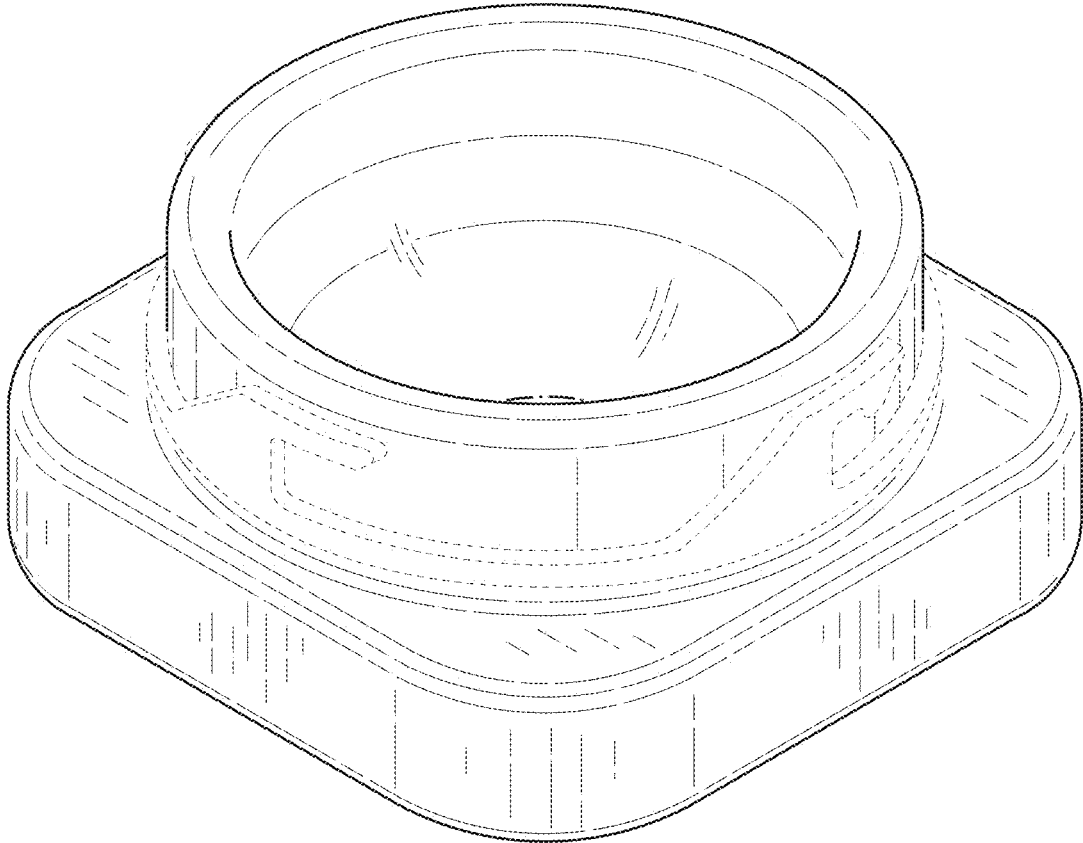


FIG.8

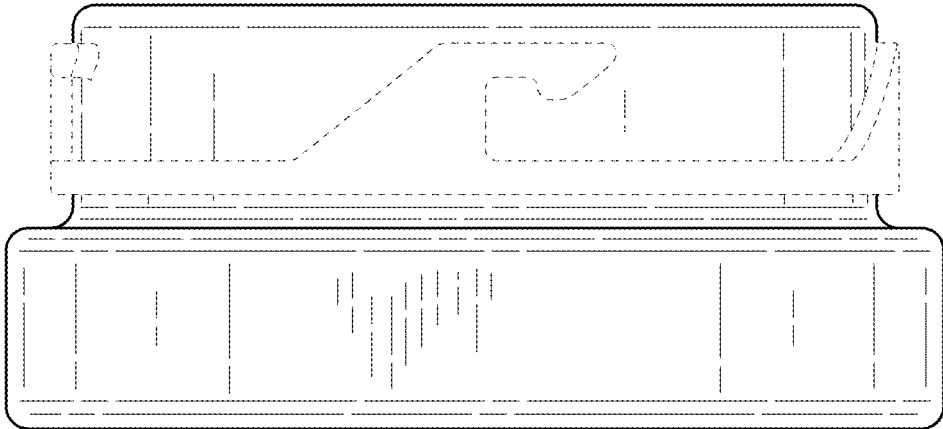


FIG.9

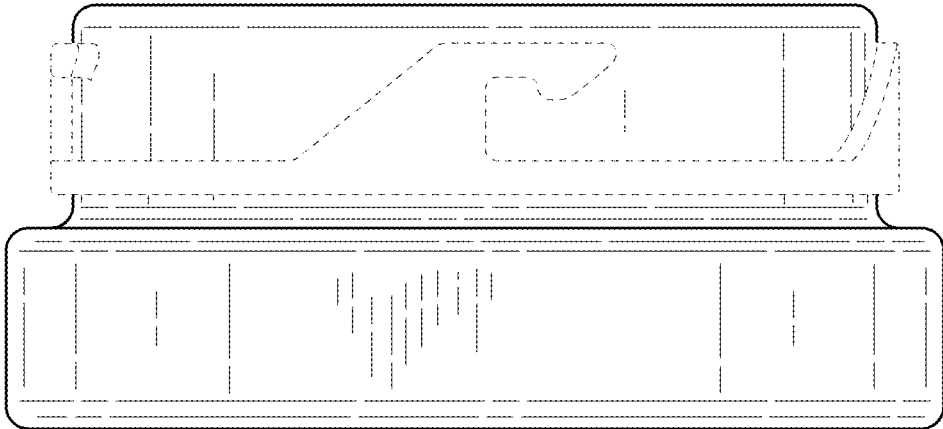


FIG.10

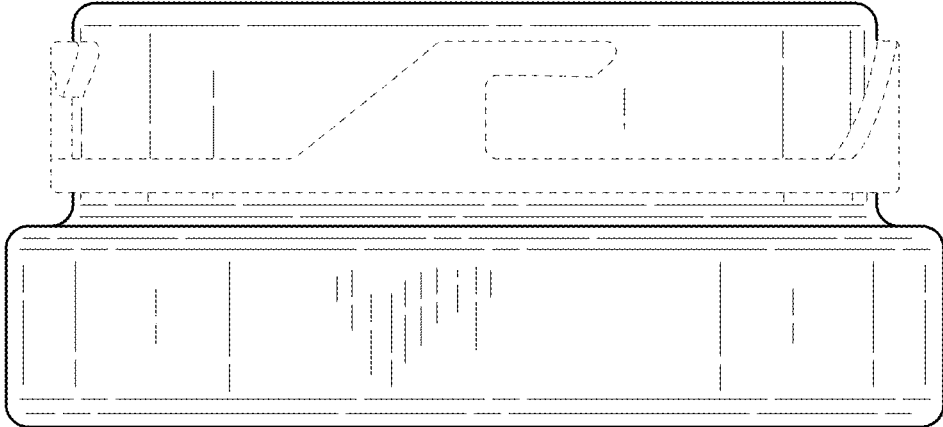


FIG.11

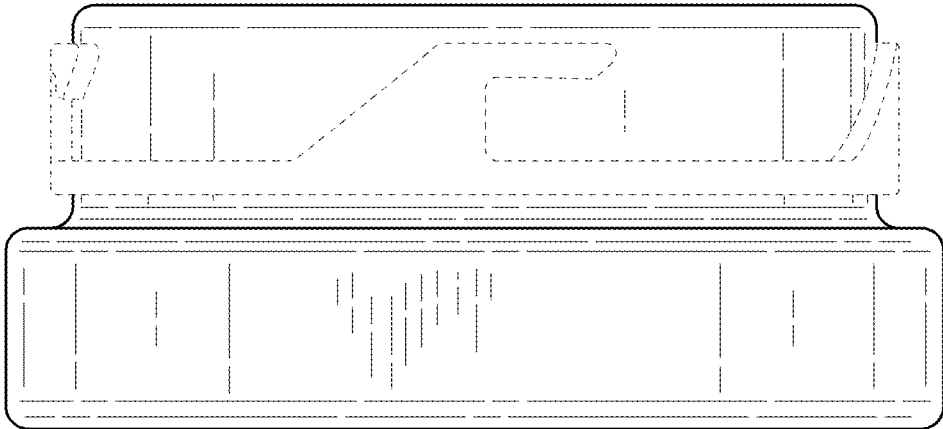


FIG.12

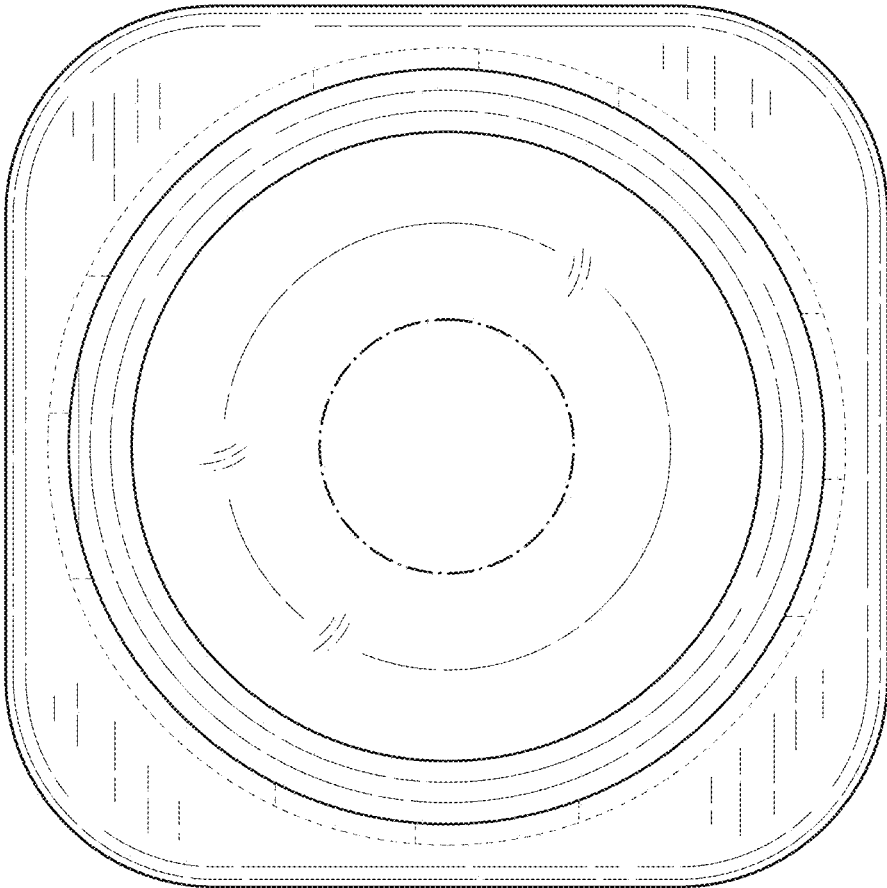


FIG.13

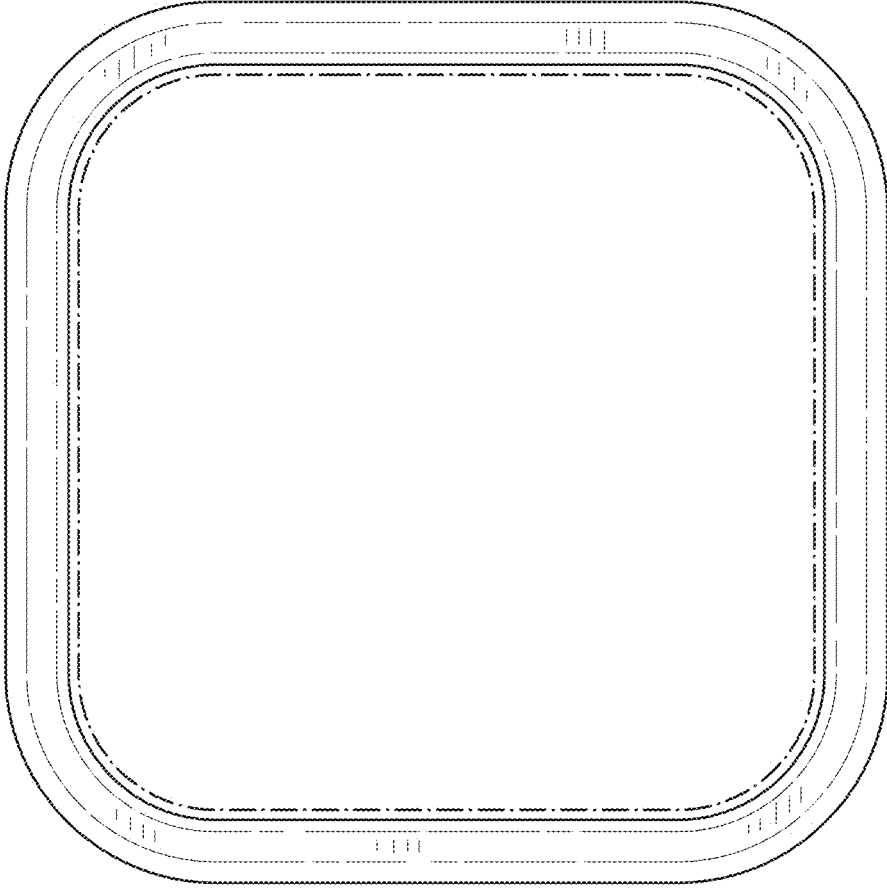


FIG.14