

(19) World Intellectual Property Organization
International Bureau



(43) International Publication Date
13 April 2006 (13.04.2006)

PCT

(10) International Publication Number
WO 2006/039552 A3

(51) International Patent Classification:
H04M 3/42 (2006.01)

(21) International Application Number:
PCT/US2005/035298

(22) International Filing Date:
29 September 2005 (29.09.2005)

(25) Filing Language: English

(26) Publication Language: English

(30) Priority Data:
60/614,844 29 September 2004 (29.09.2004) US
11/238,525 28 September 2005 (28.09.2005) US

(71) Applicant (for all designated States except US): **TRAVERSE, INC.** [US/US]; 42840 Christy Street, Suite 201, Fremont, CA 94538 (US).

(72) Inventors; and

(75) Inventors/Applicants (for US only): **KLEIN, Mark, D.** [US/US]; 1192 St. Anthony Ct., Los Altos, CA 94024 (US). **MANZO, Michael, Scott** [US/US]; 3030 Pierce Street, San Francisco, CA 94123 (US). **MAHMOOD, Tamara, Hills** [US/US]; 10080 Firwood Drive, Cupertino,

CA 95014 (US). **KOLBLY, Michael, J.** [US/US]; 1312 Moonlight Way, Milpitas, CA 95035 (US). **STELTER, Ronald, D.** [US/US]; 2526 Wildhorse Drive, San Ramon, CA 94583 (US). **BRACKBILL, Douglas, L.** [US/US]; 735 Meadow Road, Aptos, CA 95003 (US).

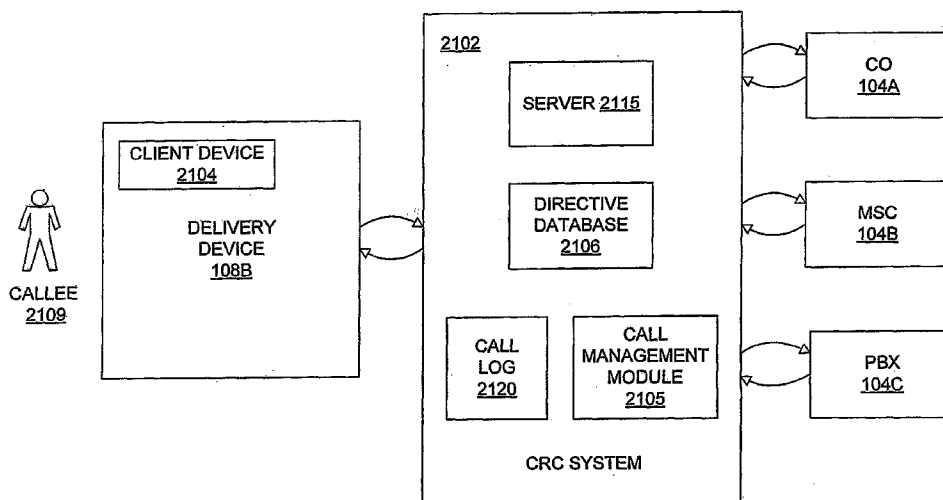
(74) Agents: **WELLER, Edward** et al.; Fenwick & West LLP, Silicon Valley Center, 801 California Street, Mountain View, CA 94041 (US).

(81) Designated States (unless otherwise indicated, for every kind of national protection available): AE, AG, AL, AM, AT, AU, AZ, BA, BB, BG, BR, BW, BY, BZ, CA, CH, CN, CO, CR, CU, CZ, DE, DK, DM, DZ, EC, EE, EG, ES, FI, GB, GD, GE, GH, GM, HR, HU, ID, IL, IN, IS, JP, KE, KG, KM, KP, KR, KZ, LC, LK, LR, LS, LT, LU, LV, LY, MA, MD, MG, MK, MN, MW, MX, MZ, NA, NG, NI, NO, NZ, OM, PG, PH, PL, PT, RO, RU, SC, SD, SE, SG, SK, SL, SM, SY, TJ, TM, TN, TR, TT, TZ, UA, UG, US, UZ, VC, VN, YU, ZA, ZM, ZW.

(84) Designated States (unless otherwise indicated, for every kind of regional protection available): ARIPO (BW, GH, GM, KE, LS, MW, MZ, NA, SD, SL, SZ, TZ, UG, ZM, ZW), Eurasian (AM, AZ, BY, KG, KZ, MD, RU, TJ, TM), European (AT, BE, BG, CH, CY, CZ, DE, DK, EE, ES, FI, FR, GB, GR, HU, IE, IS, IT, LT, LU, LV, MC, NL, PL, PT,

[Continued on next page]

(54) Title: WIRELESS DEVICE TO MANAGE CROSS-NETWORK TELECOMMUNICATION SERVICES



(57) Abstract: A communication remote control system allows a user to remotely configure call management functions across various phone networks using a client device. The communication remote control system centrally handles call management for the user's telephones. The communication remote control system may provide a centralized address book, call log, and voicemail. The user can specify various parameters including modes, filters, schedules, and the like, which are stored in the communication remote control system. The communication remote control system routes incoming calls made to the phone networks to the user's delivery device, which may be part of the client device. Incoming calls are routed to a specified telephone number, sent to voicemail, or otherwise disposed of or users can change modes manually or can specify automatic mode selection based on time of date, day of week, location, and/or other factors.



WO 2006/039552 A3



RO, SE, SI, SK, TR), OAPI (BF, BJ, CF, CG, CI, CM, GA, GN, GQ, GW, ML, MR, NE, SN, TD, TG).

(88) Date of publication of the international search report:
7 June 2007

Published:

- with international search report
- before the expiration of the time limit for amending the claims and to be republished in the event of receipt of amendments

For two-letter codes and other abbreviations, refer to the "Guidance Notes on Codes and Abbreviations" appearing at the beginning of each regular issue of the PCT Gazette.

INTERNATIONAL SEARCH REPORT

International application No.

PCT/US05/35298

A. CLASSIFICATION OF SUBJECT MATTER
 IPC: **H04M 3/42(2006.01)**

USPC: 379/211.02
 According to International Patent Classification (IPC) or to both national classification and IPC

B. FIELDS SEARCHED

Minimum documentation searched (classification system followed by classification symbols)
 U.S. : 379/201.02, 201.03, 201.07, 207.03, 207.05, 207.08, 207.12, 211.01, 211.02, 213.01

Documentation searched other than minimum documentation to the extent that such documents are included in the fields searched

Electronic data base consulted during the international search (name of data base and, where practicable, search terms used)
 Please See Continuation Sheet

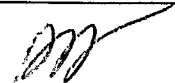
C. DOCUMENTS CONSIDERED TO BE RELEVANT

Category *	Citation of document, with indication, where appropriate, of the relevant passages	Relevant to claim No.
X	US 5,329,578 A (BRENNAN et al) 12 July 1994 (12.07.1994), entire document.	1-36

Further documents are listed in the continuation of Box C. See patent family annex.

* Special categories of cited documents:	
"A" document defining the general state of the art which is not considered to be of particular relevance	"T" later document published after the international filing date or priority date and not in conflict with the application but cited to understand the principle or theory underlying the invention
"E" earlier application or patent published on or after the international filing date	"X" document of particular relevance; the claimed invention cannot be considered novel or cannot be considered to involve an inventive step when the document is taken alone
"L" document which may throw doubts on priority claim(s) or which is cited to establish the publication date of another citation or other special reason (as specified)	"Y" document of particular relevance; the claimed invention cannot be considered to involve an inventive step when the document is combined with one or more other such documents, such combination being obvious to a person skilled in the art
"O" document referring to an oral disclosure, use, exhibition or other means	"&" document member of the same patent family
"P" document published prior to the international filing date but later than the priority date claimed	

Date of the actual completion of the international search 04 January 2007 (04.01.2007)	Date of mailing of the international search report 30 MAR 2007
---	--

Name and mailing address of the ISA/US Mail Stop PCT, Attn: ISA/US Commissioner for Patents P.O. Box 1450 Alexandria, Virginia 22313-1450 Facsimile No. (571) 273-3201	Authorized officer Harry S. Hong  Telephone No. (571) 272-4550
---	--

INTERNATIONAL SEARCH REPORT

International application No.
PCT/US05/35298

Continuation of B. FIELDS SEARCHED Item 3:

EAST

search terms: profile, database, forwarding, office, home, vacation, car, mobile, cellular, time, location, emergency